



SITE SUMMARY:

3-STORY ROW-TOWNHOMES
 BD. - 3BA./OFFICE

TOTAL HOMES: 44
 5-PLEX X 4 = 20
 6-PLEX X 4 = 24

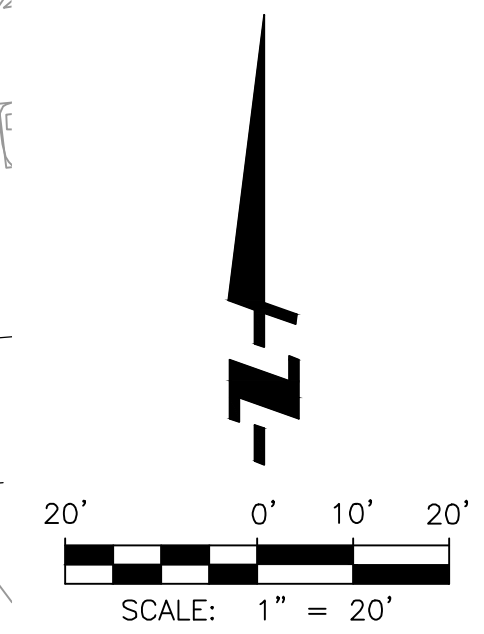
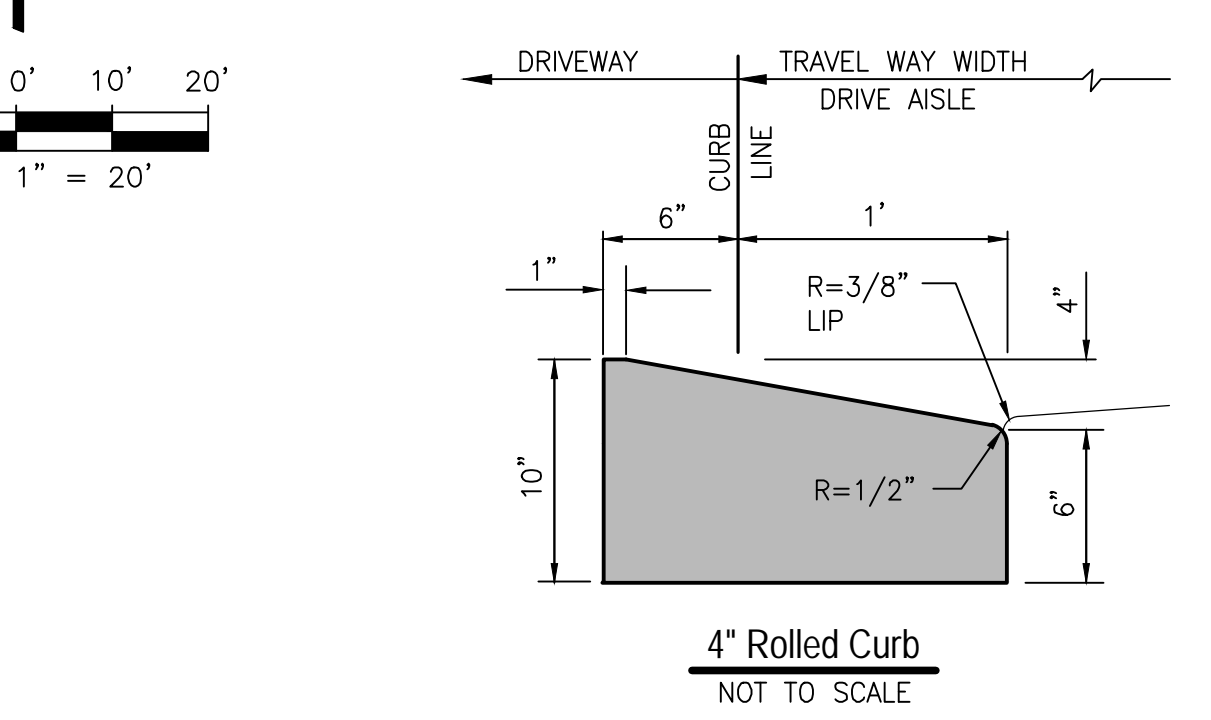
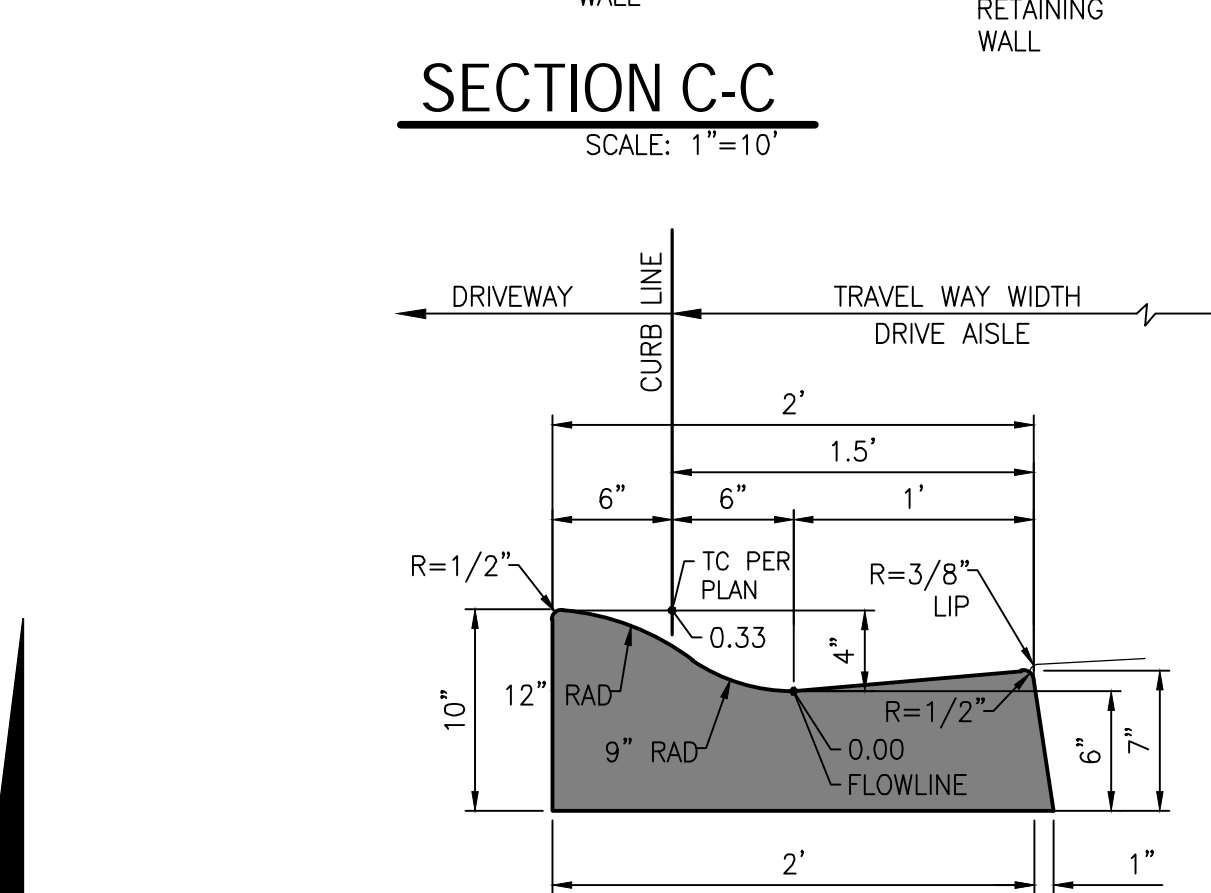
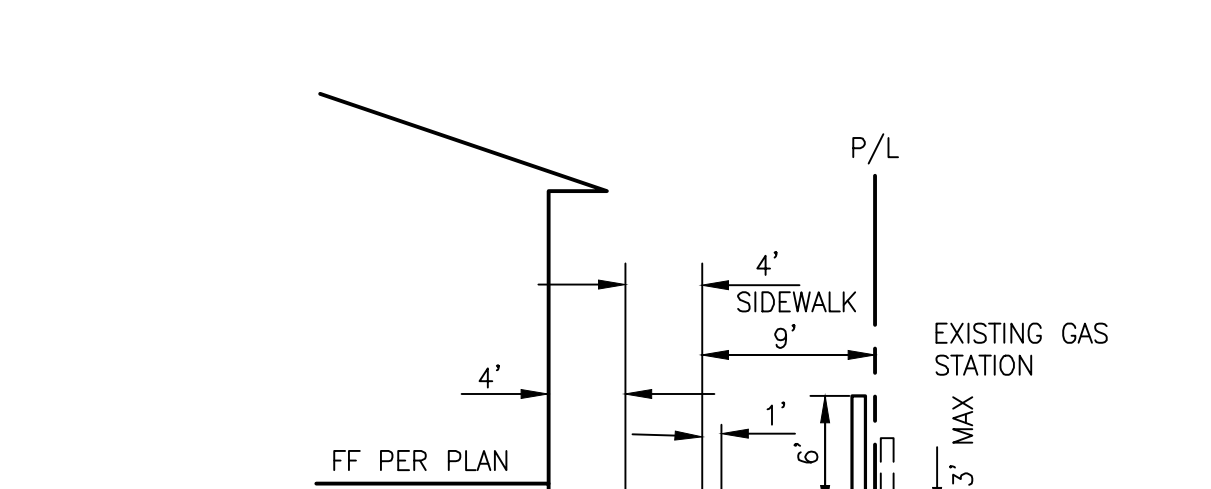
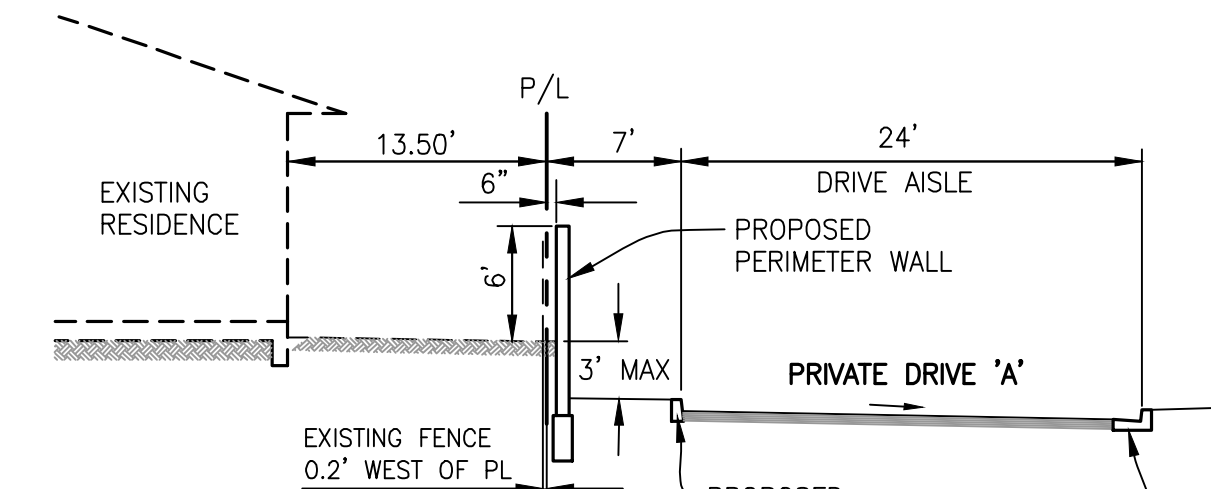
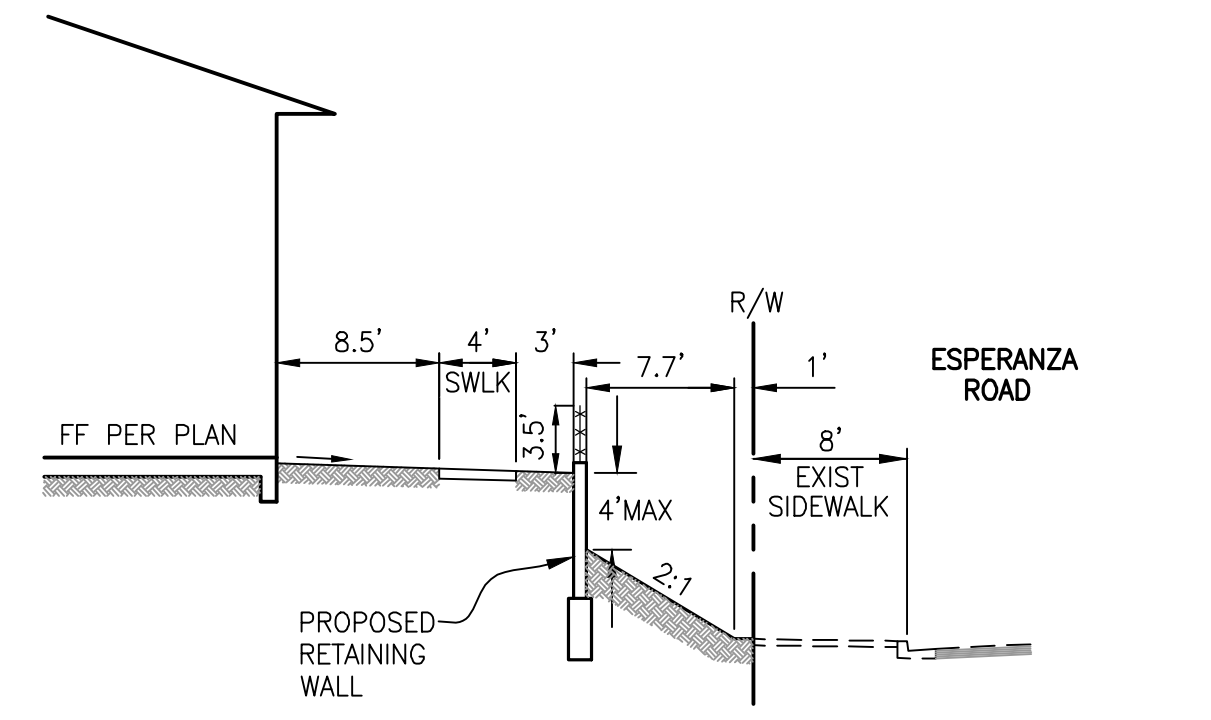
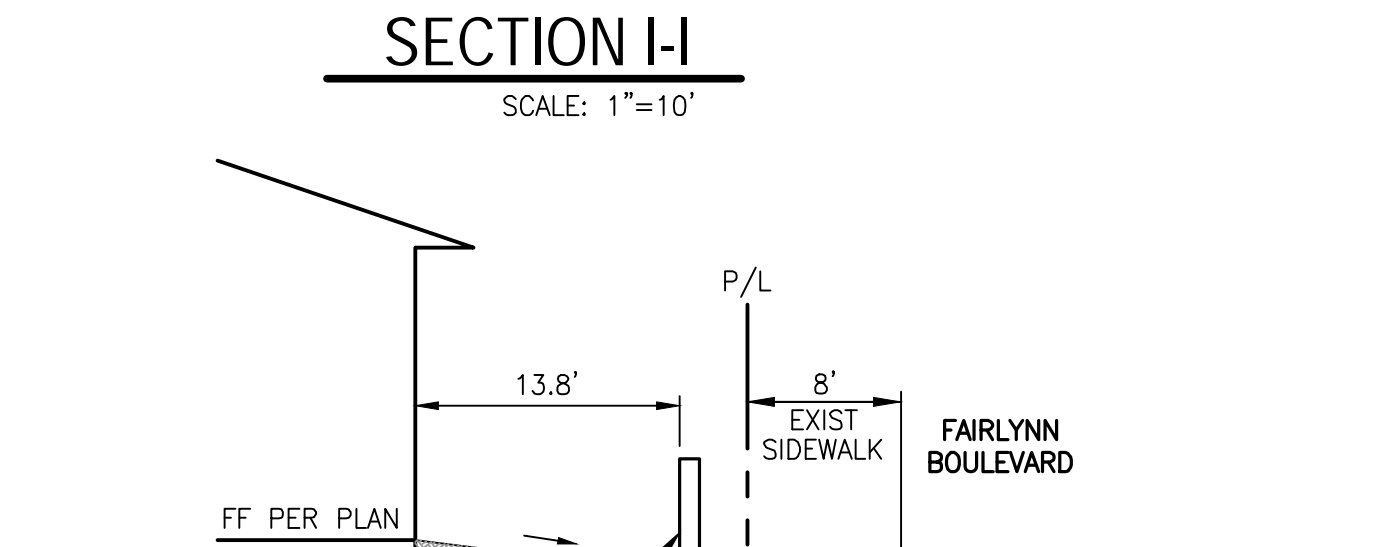
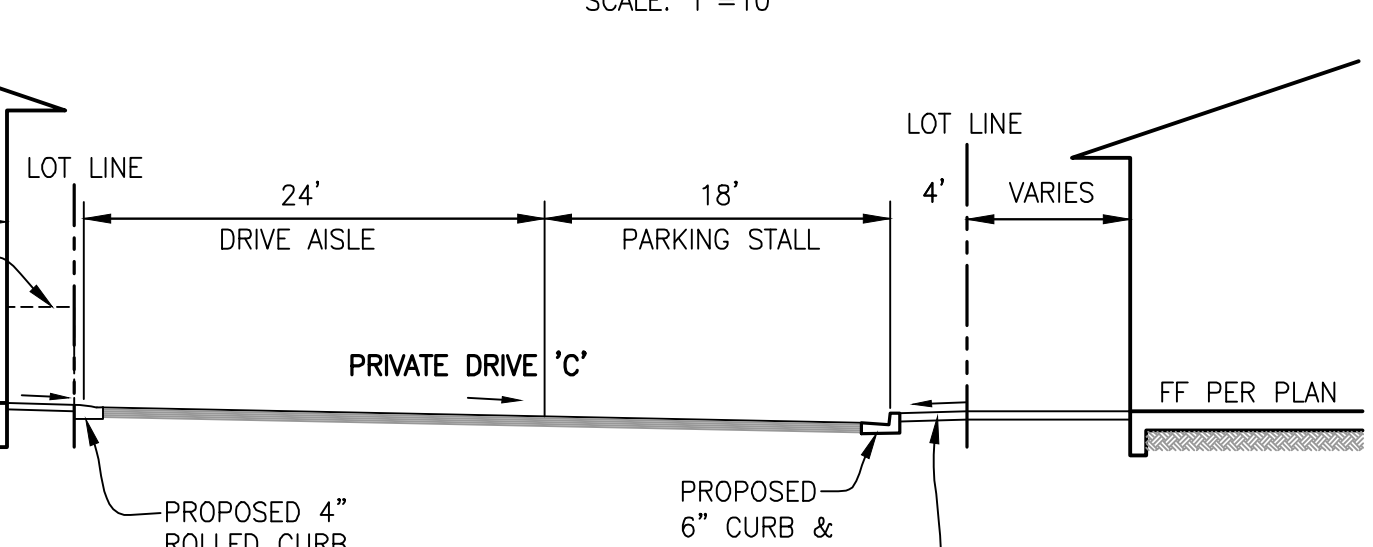
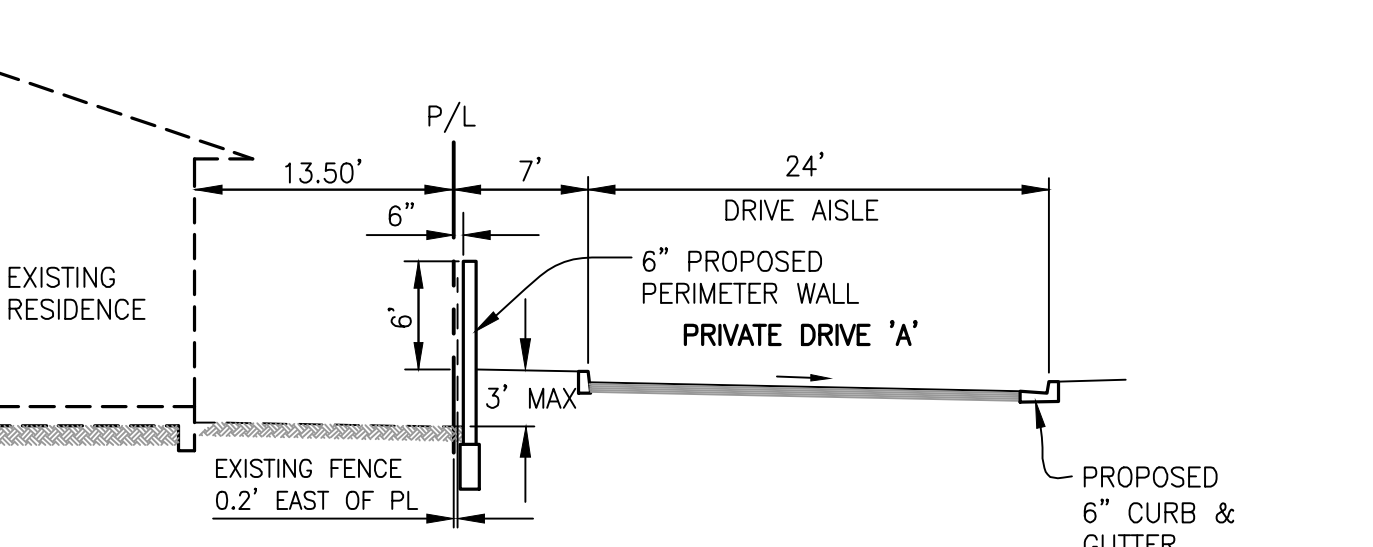
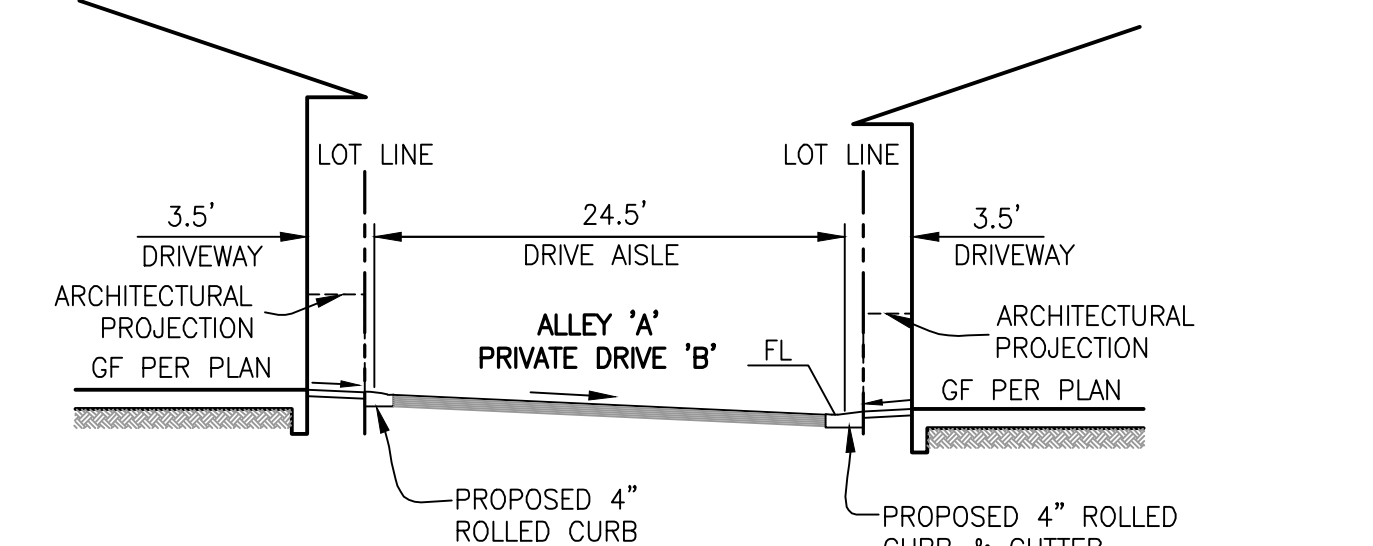
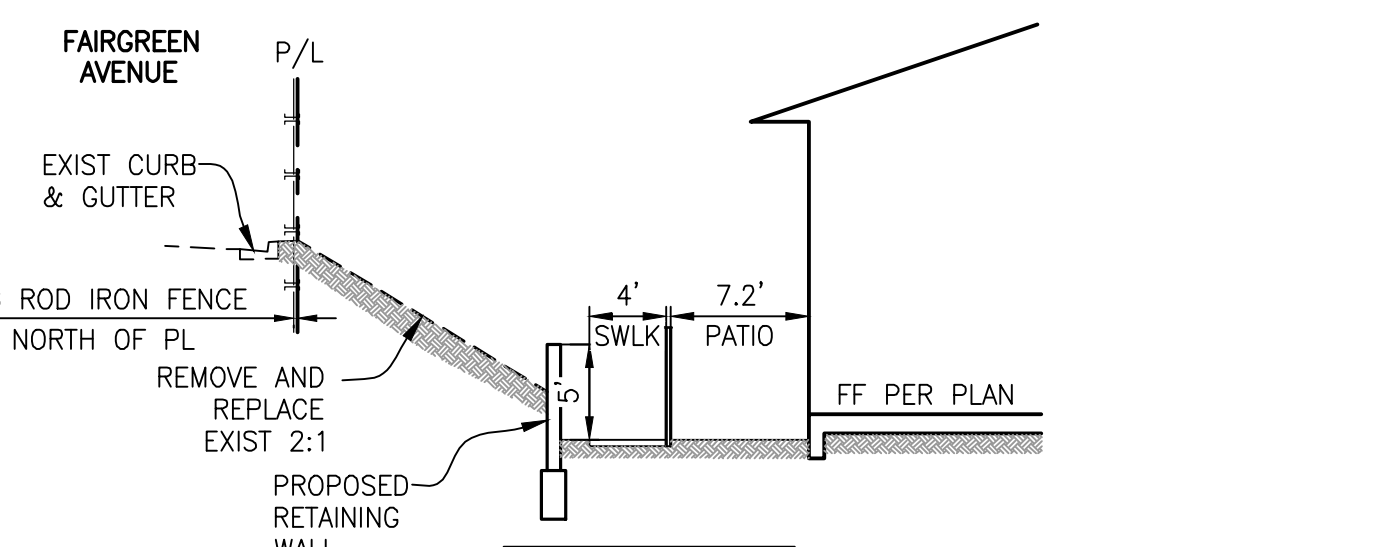
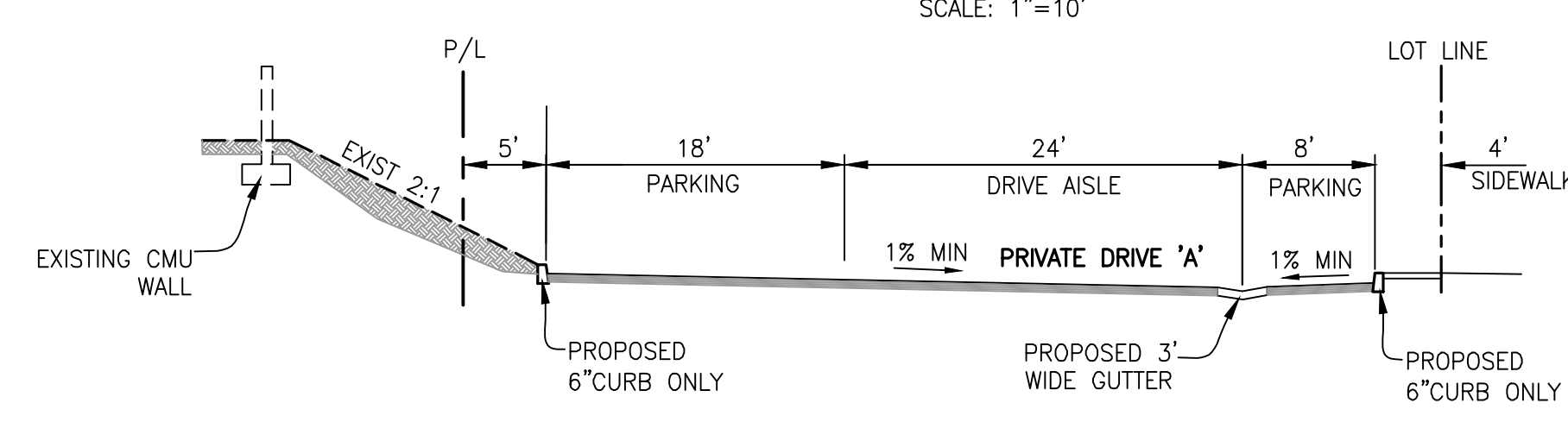
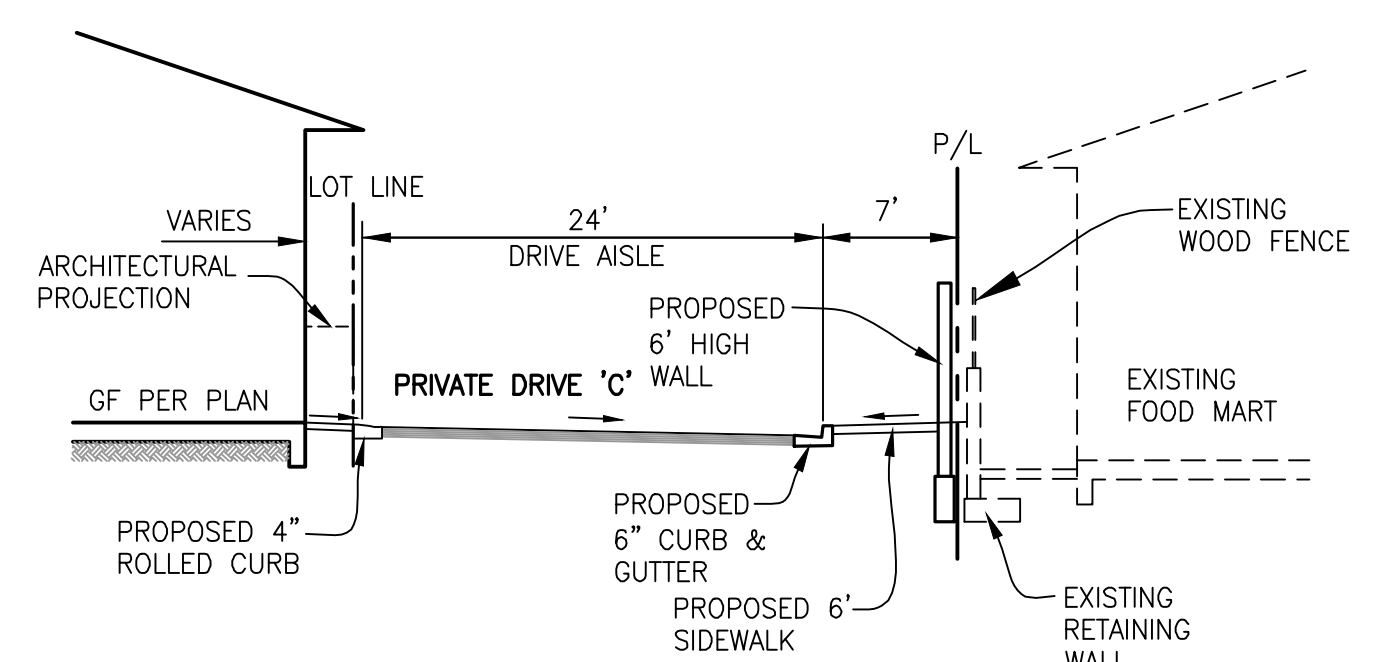
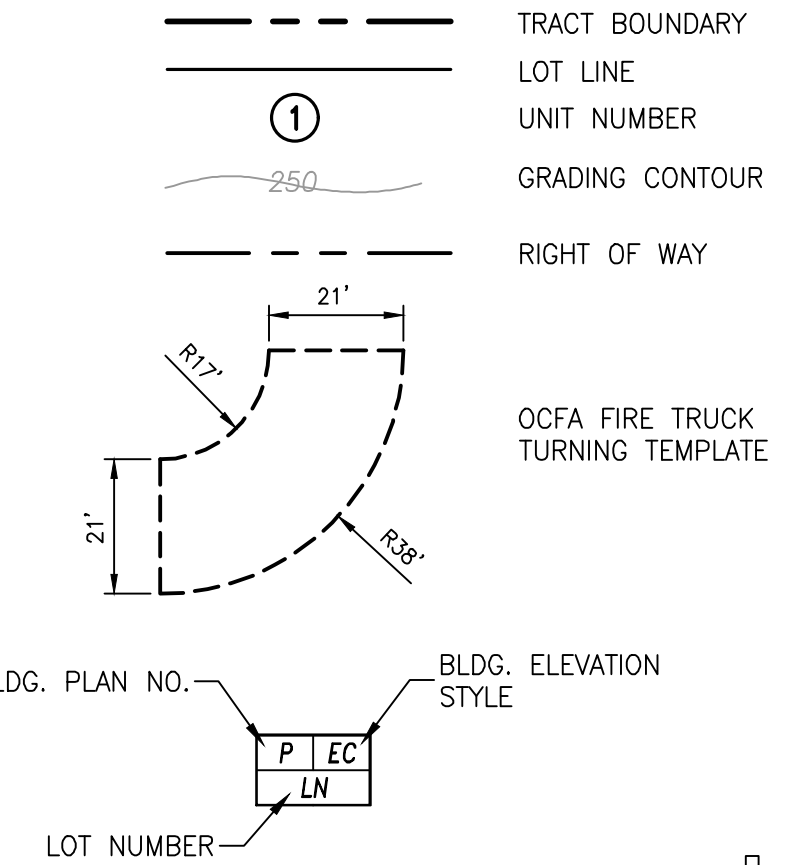
GROSS SITE AREA: 2.57 ACRES
 GROSS DENSITY: 17 HOMES/ACRE

COMMON OPEN SPACE PROVIDED: 0.66 ACRES
 PRIVATE OPEN SPACE PROVIDED: 0.20 ACRES

PARKING REQUIRED:
 2.5 RESIDENT SPACES/3-BED UNIT = 110 SPACES
 0.2 GUEST SPACES/UNIT = 8.8 SPACES
 TOTAL PARKING REQUIRED = 118.8 SPACES

PARKING PROVIDED:
 2 GARAGE SPACES/HOME = 88 SPACES
 UNCOVERED RESIDENT SPACES = 22 SPACES
 UNCOVERED GUEST SPACES = 11 SPACES
 TOTAL PARKING PROVIDED = 121 SPACES

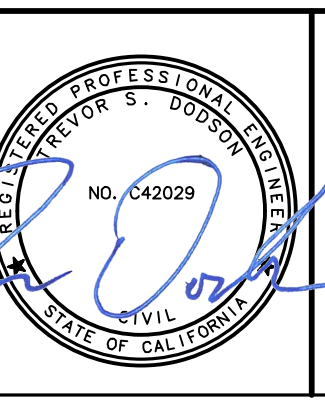
LEGEND



NO.	REVISIONS	APP'D.	DATE	DEVELOPER:
				ROI Esperanza LLC 4199 Campus Drive, Suite 200 Irvine, CA 92612 (949) 342-2502

FUSCOE
 ENGINEERING
 18795 Von Karman, Suite 100
 Irvine, California 92606
 tel 949.474.1990 fax 949.474.5315
 www.fuscoecorp.com

CONTACT PERSON:
 TREVOR S. DODSON OFFICE: (949)474-1960



Tentative Tract Map No. 19161
TECHNICAL SITE PLAN
 6821 Fairlynn Blvd.
 Yorba Linda, California

DRAWN: SM
 DESIGN: VP
 CHECKED: TD
 SCALE: AS SHOWN
 JOB NO.: 774.012

SHEET 1 OF 1