



ITEM #1

SUBDIVISION COMMITTEE PRELIMINARY REPORT

DATE: November 20, 2024

TO: Orange County Subdivision Committee

FROM: OC Development Services / Land Development Division

SUBJECT: "B" Vesting Tentative Tract Map 19305 within Planning Area 3, Subarea 3.4, Ranch Plan Planned Community

PROPOSAL: The applicant, Rancho Mission Viejo (RMV), requests approval of "B" Vesting Tentative Tract Map 19305 (VTTM19305) to subdivide a 5.95-acre site within Subarea 3.4 of the Ranch Plan Planned Community into 44 legal lots for Condominium purposes: 23 numbered lots for planned concept two-family (duplex) dwellings, 6 numbered lots for planned concept detached dwellings, 7 lettered lots for usable project open space, and 8 lettered lots for private streets and motor courts.

ZONING: Ranch Plan Planned Community

GENERAL PLAN: 6 "Urban Activity Center"

LOCATION: The project site is located in the southeastern portion of unincorporated Orange County, on Lots 3 through 10 and H through K of "A" Tract Map 17934, within Subarea 3.4 of the Ranch Plan Planned Community. The project site is located east of Ranch Canyon and north of Cow Camp Road, at the southeast corner of the intersection of Bucker Way and Legado Road, within the Fifth (5th) Supervisorial District.

**OWNER/
SUBDIVIDER:** RMV PA3 Development, LLC (RMV)
It is noted that the current landownership is RMV, but the transfer of ownership to Lennar Homes will begin upon recordation of the Final Tract Map.

APPLICANT: Rancho Mission Viejo
Jay Bullock, Vice President, Planning and Entitlement

**STAFF
CONTACT:** Robert Zegarra, Contract Planner, Land Development Division
Phone: (714) 667-8893
Email: Robert.Zegarra@ocpw.ocgov.com

RECOMMENDED ACTION(S):

Land Development recommends OC Subdivision Committee:

- 1) Receive staff report and public testimony as appropriate.
- 2) Find that Final EIR 589, previously certified on November 8, 2004; Addendum 1.0 (PA060023) approved July 2006, Addendum 1.1 (PA110003-06) approved February 24, 2011, the Planning Area 2 Addendum (PA130001-06) approved March 27, 2013, and Addendum 3.1 (PA140072-81) approved February 25, 2015 reflect the independent judgment of the County and are adequate to satisfy the requirements of CEQA for approval of Vesting Tentative Tract Map (VTTM) 19305, which is a necessarily included element contemplated as part of the whole of the action considered in Final EIR 589, Addendum 1.0, Addendum 1.1, the Planning Area 2 Addendum, and Addendum 3.1.
 - a. The circumstances of the project are substantially the same as described in Final EIR 589, Addendum 1.0, Addendum 1.1, the Planning Area 2 Addendum, and Addendum 3.1, which adequately addressed the effects of the project proposed in VTTM19305. No substantial changes have been made in the project that involve new significant environmental effects or a substantial increase in the severity of previously identified significant effects; no substantial changes have occurred in the circumstances under which the project is being undertaken, that involve new significant environmental effects or a substantial increase in the severity of previously identified environmental effects; and no new information of substantial importance to the project which was not known or could not have been known when Final EIR 589, Addendum 1.0, Addendum 1.1, the Planning Area 2 Addendum, and Addendum 3.1 were certified and approved has become known; therefore, no further environmental review is required.
 - b. Final EIR 589, Addendum 1.0, Addendum 1.1, the Planning Area 2 Addendum, and Addendum 3.1, are adequate to satisfy the requirements of CEQA for VTTM19305.
 - c. All mitigation measures are fully enforceable pursuant to Public Resources Code section 21081.6(b) and have either been adopted as conditions, incorporated as part of the project design, or included in the procedures of project implementation.
- 3) Approve Vesting Tentative Tract Map 19305, subject to the attached Findings and Conditions of Approval (Appendices A and B).

BACKGROUND AND EXISTING CONDITIONS:

In November 2004, the County of Orange approved the Ranch Plan Planned Community, which encompasses approximately 22,815 acres located east of I-5, north and south of Ortega Highway at Antonio Parkway/La Pata Avenue, within the Fifth Supervisorial District. As approved, the Ranch Plan Planned Community comprises 75 percent permanent open space and allows for the development of 14,000 dwelling units and 5,200,000 square feet (SF) of non-residential uses in the remaining 25 percent. It is regulated by the Ranch Plan Planned Community Program Text which addresses the unique characteristics of the property and a development plan for the transition to suburban/urban uses occurring over a 25- to 30-year period.

The Master Area Plan and Subarea Plans for Planning Areas 3 and 4 were originally approved on February 25, 2015, by the Planning Commission (PA140072-PA140081) and revised administratively on May 22, 2017 (PA150047). On September 11, 2019, the Planning Commission approved amendments and revisions to the Master Area Plans and Subarea Plans for Planning Areas 3 and 4 (PA180030) which reflect the applicant's plan to develop Planning Area 3 in smaller phases. Additional administrative revisions to the Master Area Plans and Subarea Plans for Planning Areas 3 and 4 were approved on October 27, 2022 (PA22-0067), and again in October of 2024 (PA24-0104).

Subdivision Committee Report – November 20, 2024

VTTM19305 – RMV Subarea 3.4

Page 3 of 8

Final Tract Map 17934 for Subarea 3.4 was approved by the Orange County Board of Supervisors on October 22, 2024. Currently, Subarea 3.4 is being graded under permit GRD23-0059 and supporting infrastructure (streets, storm drains, etc.) is in various stages of construction.

Proposed Project

The applicant, Rancho Mission Viejo, requests approval of “B” Vesting Tentative Tract Map 19305 (VTTM19305) to subdivide a 5.95-acre site within Subarea 3.4 of the Ranch Plan Planned Community into 44 legal lots for Condominium purposes: 23 numbered lots for planned concept two-family (duplex) dwellings, 6 numbered lots for planned concept detached dwellings, 7 lettered lots for usable project open space, and 8 lettered lots for private streets and motor courts. This VTTM is one of multiple “B” maps being proposed in Planning Area 3, Subarea 3.4 of the Ranch Plan. Final Map 17934 established the boundaries of these “B” maps (Exhibit 2 page 4). Further discussion is provided in the Discussion/Analysis section.

SURROUNDING LAND USE:

Land uses immediately surrounding the project site include the following:

- North: Bucker Way, Future Subarea 3.11.
- East: Future Linear Park, Future Residential Tract 19306.
- West: Legado Road, Future Subarea 3.5.
- South: Gavilan Ridge, Future Recreation Center.

Please refer to General Vicinity Map (below) and the Project Site Map (following page).

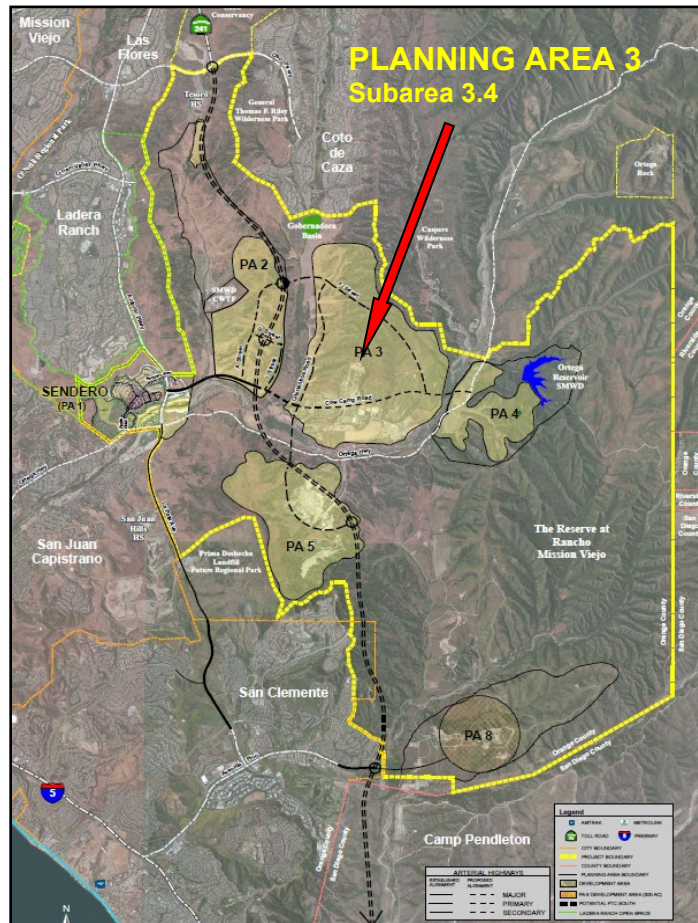


Exhibit 1 – General Vicinity Map

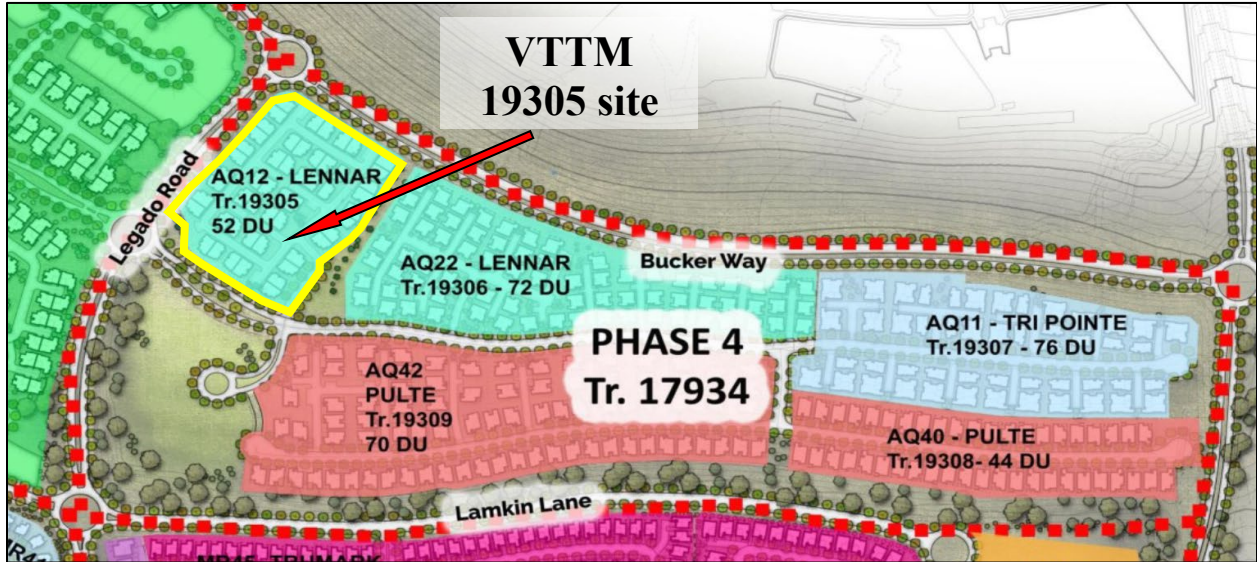


Exhibit 2 – Project Site Map

DISCUSSION/ANALYSIS:

General Description

The proposed “B” VTTM19305 is a subdivision, for Condominium purposes, of a 5.95-acre site within Subarea 3.4 of the Ranch Plan Planned Community into 23 numbered lots for planned concept two-family (duplex) dwellings, 6 numbered lots for planned concept detached dwellings, 7 lettered lots for usable project open space, and 8 lettered lots for private streets and motor courts. Unit plan types and unit plotting for the tract map are being reviewed concurrently under Site Development Permit PA24-0008 for consistency with the Ranch Plan PC Program Text and Alternative Development Standard (ADS) D-14, which allows for the development of planned concept two-family (duplex) dwellings.

General access to the tract will be provided from Club Drive via Gavilan Ridge. The tract map has been designed to create individual lots for planned concept two-family (duplex) and detached dwellings oriented around a system of private streets and alleys throughout the tract. The private streets and motor courts provide direct access to the individual units and have been designated as Lots A through H. Lots I through O have been designated as usable project open space

Consistency Analysis:

Proposed “B” VTTM19305 is consistent with:

- a. State Subdivision Map Act and County of Orange Subdivision Code and Manual.
- b. General Plan, Land Use Element: 6 Urban Activity Center. The proposed map is consistent with the 6 Urban Activity Center designation.
- c. Zoning: Planned Community. The proposed map is in conformance with the County of Orange Planned Community District regulations as regulated by the Ranch Plan Planned Community Text, statistical summary, and development maps.
- d. Area Plans. The proposed map is consistent with the PA3 Master Area Plan, Subarea Plan 3.4, and the PA3 & 4 Master Area and Subarea Plan Amendment and Addendum (PA24-0104).
- e. CEQA: The proposed map is consistent with Program EIR 589, which was certified on November 8, 2004; Addendum 1.0, approved on July 26, 2006; Addendum 1.1, approved on February 24,

2011; the Planning Area 2 Addendum, approved on March 27, 2013; and Addendum 3.1 approved on February 25, 2015.

- f. Alternative Development Standards: All previously approved Alternative Development Standards that are to be incorporated into the development of Subarea 3.4 are listed within the Note #29 on the cover page of proposed VTTM19305.
- g. Regulation Compliance Matrix: Clearance of all applicable conditions of approval have been confirmed per the Ranch Plan Regulation Compliance Matrix.

Estimated Earthwork

The proposed estimated grading quantities for this map are substantially consistent with or less than the earthwork quantities described under previous approvals (i.e., Master Area Plan (PA3), Subarea Plan 3.4, Tract 17934, and related grading permits (GRD22-0016 and GRD23-0059). The proposed grading on this map has been addressed per CEQA document FEIR 589, together with Addendum 3.1.

Drainage:

The subject property is in the Ranch Plan Planned Community Runoff Management Plan (ROMP) Area. A Master Plan of Drainage (MPD), consistent with the PA 3 and 4 ROMP, has been established for the project site (Subarea 3.4). VTTM19305 is consistent with this MPD, however no MPD fees are required.

Recreation and Open Space:

The proposed map is not required to provide any improvements or dedications associated with the County Master Plan of Regional Recreation Facilities; Master Plan of Regional Riding and Hiking Trails; Resources Element (Open Space Component); or OCTA Strategic Plan for Bikeways.

- Master Plan of Regional Recreation Facilities - There are no regional park dedication requirements applicable to the subject map.
- Master Plan of Regional Riding and Hiking Trails - There are no riding and hiking trail requirements applicable to the subject map.
- Master Plan of Local Parks (Local Park Code) - The proposed map is required to provide park land in accordance with the Master Plan of Local Parks (Local Park Code) per the parkland generation factor for each unit (greater than 6.5 du/ac requires 0.006 acres and less than 6.5 du/ac requires 0.008 acres). The Local Park Code requirement for the subject map VTTM19305 is 0.31 net usable acres of park land based upon a proposal to build 52 dwelling units at a gross residential density of 8.73 du/ac (52du/5.95 ac). Said requirement can be satisfied by an allocation of parkland credit from Park Modification PM07-01, the Local Park Implementation Plan (LPIP) for the Ranch Plan P.C. originally approved March 14, 2007, 1st Amendment approved in June 2012, 2nd Amendment approved on July 16, 2014, 3rd Amendment approved November 7, 2019 and 4th Amendment approved December 6, 2023.

Per the Ranch Plan LPIP, the total parkland acreage requirement for the entire Ranch Plan Planned Community is 94 acres, based on 14,000 approved dwelling units and the anticipated proportion of single-family and multi-family units. Of the 94 acres required, the LPIP indicates 5 acres of parkland are required for Subarea 3.4. Recorded "A" Final Tract Map 17934, for Subarea 3.4, includes private park easements for the development of a recreation center and a linear park totaling 6.29 acres, which exceeds the parkland requirement for Subarea 3.4. Therefore, there are no additional parkland dedication requirements applicable to the subject map VTTM19305.

- Resources Element - Open Space Component - There are no open space dedication requirements applicable to the subject map.
- OCTA Strategic Plan for Bikeways - There are no County-wide bikeways identified within the area of this map.

Public Services & Utilities

- Schools - This property is within the boundaries of the Capistrano Unified School District. The developer is subject to the provisions of Assembly Bill AB 2926 or other mitigating measures designed to provide for school facilities and/or funding, such as community facilities districts, as outlined by Mitigation Measure 4.15-5 of FEIR 589.
- Facilities Fees Programs - This project area is included within the Ranch Plan Planned Community Development Agreement DA04-01 which phases development commensurate with public services and facilities.
- Water/Sewer - This project is within the boundaries of the Santa Margarita Water District. The District stated in their Preliminary Water Sewer Letter dated May 24, 2024 that the District will be capable of providing water and sewage disposal service to this development.
- Water Quality Control - This project will be required to operate in accordance with requirements prescribed by the California Regional Water Quality Control Board, San Diego Region, as outlined by Standard Conditions 4.5-3 thru 4.5-11 of FEIR 589.
- Fire Protection and Safety - Existing and proposed fire protection services will be providing an adequate level of fire protection services to this development. Additionally, this property is within the area covered by the approved Ranch Plan Fire Protection Program, which includes all applicable conditions of approval and regulations.
- County Service Area (CSA) - This property is within the boundaries of County Service Area No. 26.

Traffic/Circulation

- Scenic Highway Corridors - There are no Scenic Highways included in this map.
- Access/Highways/Streets/Roads - Access to the site is via Club Drive, a private street. Internal tract access will be provided by a system of private streets and motor courts.
- Major Thoroughfare and Bridge Fee Program - This project lies within the area of benefit of the Foothill/Eastern Transportation Corridor. The developer is required to pay Foothill/Eastern Major Thoroughfare and Bridge fees in accordance with the adopted program.
- Off-Site Fee Program – The project lies within the area of benefit of the South County Roadway Improvement Road Fee Program (SCRIP). The developer is required to pay SCRIP fees in accordance with the adopted program.
- To ensure that necessary ingress and egress easements are provided and maintained along the proposed streets and motor courts with the Final Map, Condition of Approval #7 requires the developer to demonstrate on the Final Map, subject to the satisfaction of the Land Development Manager, that improvements will not be constructed within the ingress and egress easements, which could interfere with the use and/or maintenance of the easement.

Subdivision Committee Report – November 20, 2024

VTTM19305 – RMV Subarea 3.4

Page 7 of 8

Fire Master Plan

The applicant has provided a copy of the Orange County Fire Authority (OCFA) Fire Master Plan, Service Request number 544563, approved on March 26, 2024. OCFA has reviewed the proposed project and concurs with the proposal. OCFA and Land Development will continue to coordinate necessary plan check reviews during the permitting and construction process to ensure the development of VTTM 19305 in compliance with associated fire safety and fire protection requirements.

Multiple Final Map Phasing

As indicated on the Map under Note #21 of the title sheet VTTM19305, the option of multiple final maps phasing has been requested as part of the approval of this Vesting Tentative Tract Map.

ALTERNATIVE DEVELOPMENT STANDARDS:

As allowed by General Regulation #25 of the Ranch Plan Planned Community Program Text, proposed Alternative Development Standards are intended to be incorporated into the development as listed within the “Notes” portion of the cover page of VTTM19305. The following approved Ranch PC Alternative Development Standards (approved May 22, 2024) are proposed as part of VTTM19305:

- B-9 Modified Color of Curb Ramp Detectable Warning Surface
- D-3 Reduced “Senior Citizen” Parking
- D-8 Planned Concept Detached Dwellings Greater Than 3,000 SF
- D-14 Two-Family Residences (Duplexes)
- G-4 1” Ribbon Curb on Private Streets
- G-7 Reduced Local Depression on Private Streets
- G-8 Reduced Local Depression on Public Streets
- G-9 Rolled Curb on Private Streets
- G-10 Grated Inlets Catch Basins with Rolled Curb on Private Streets
- G-11 Reduced Local Depression with Rolled Curb on Private Streets

REFERRAL FOR COMMENT AND PUBLIC NOTICE:

Copies of the vesting tentative tract map submittal package were distributed for review and comment to County staff and consultants, including Land Development, Traffic Engineering, Development Support, Survey, Operations & Maintenance, Building & Safety and the Orange County Fire Authority. Through a collaborative effort with County staff, the applicant adequately addressed all comments. As of the writing of this staff report, no further comments have been received from any County divisions.

A Notice of Public Hearing was mailed to all property owners of record within 300 feet of the subject site on November 7, 2024. Additionally, notices were posted at the site, at the County Administrations North (CAN) Building, and on the Orange County Public Works website as required by established public hearing posting procedures. No public comments have been received to date.

CEQA COMPLIANCE:

The proposed project is covered by previous CEQA documentation, which includes Final Program EIR 589, which was certified on November 8, 2004; Addendum 1.0, approved on July 26, 2006; Addendum 1.1, approved on February 24, 2011; the Planning Area 2 Addendum, approved on March 27, 2013; and Addendum 3.1, approved February 25, 2015. This finding is appropriate and complies with the intent of CEQA, pursuant to the Orange County 2020 Local CEQA Procedures Manual, Section 13.1 for projects where a previous environmental document (i.e., Program EIR 589) is already in place. Further CEQA evaluation and clearances are not required for proposed “B” VTTM19305.

Subdivision Committee Report – November 20, 2024

VTTM19305 – RMV Subarea 3.4

Page 8 of 8

CONCLUSION:


Based on the review of the subject submittal, staff supports approval of the applicant’s proposed “B” Vesting Tentative Tract Map 19305 (VTTM19305) pursuant to the Orange County Subdivision Code, Orange County Codified Ordinances (OCCO) Subarticle 5 (Processing Procedures for Tentative Maps).

Submitted by:

Signed by:

5920734D9EEE4A4...
Robert Zegarra, Contract Planner
Land Development, OC Development Services

Concurred by,

DocuSigned by:

9EEAFDF5701C43D...
Bea Bea Jiménez, Division Manager
Land Development, OC Development Services

CERTIFICATION:

I hereby certify that the Tentative Tract Map 19305 was approved by the Orange County Subdivision Committee on November 20, 2024, per the findings in Appendix A and the conditions in Appendix B.

Lily Sandberg,
Subdivision Committee Chairperson

APPENDICES:

- A. Recommended Findings
- B. Recommended Conditions of Approval
- C. Ranch Plan Regulation Compliance Matrix - “B” Map Items

ATTACHMENTS:

- 1. Applicant’s Letter of Proposal
- 2. Will Serve Letter
- 3. Project Plans and Fire Master Plan

APPEAL PROCEDURE:

Any interested person may appeal the decision of the Subdivision Committee on this application to the Orange County Planning Commission within 10 calendar days of the decision upon submittal of required documents and a filing fee of \$500.00 filed at the Development Processing Center, 601 N. Ross St., Santa Ana. If you challenge the action taken on this proposal in court, you may be limited to raising only those issues you or someone else raised in written correspondence delivered to OC Development Services.

APPENDIX A



Appendix A
Findings
VTTM 19305

1	EIR AND ADDENDUM	VTTM 19305 (Custom)
<p>That the decision-maker has considered Final EIR 589, previously certified on November 8, 2004; Addendum 1.0 (PA060023) approved July 2006; Addendum 1.1 (PA110002-PA110006) approved February 24, 2011; the Planning Area 2 Addendum (PA130001-PA130004 and PA130006) approved on March 27, 2013; Addendum 3.1 (PA140072-81) approved February 25, 2015; and the Planning Area 3 & 4 Amendment and Addendum (PA180030) approved September 11, 2019 prior to project approval. The addendums are approved for the proposed project based upon the following findings:</p> <p>a. Together, these documents are adequate to satisfy the requirements of CEQA by the decision-maker;</p> <p>b. The additions, clarifications and/or changes to the original document caused by the Addendums, do not raise new significant issues which were not addressed by the EIR and none of the conditions described in CEQA Guidelines Section 15162 applies; and</p> <p>c. The consideration of the EIR and approval of the Addendums for the proposed project reflect the independent judgment of the Lead Agency.</p>		
2	ENVIRONMENTAL MONITORING	VTTM 19305 (Custom)
<p>That the monitoring requirements of Public Resources Code Section 21081.6 (AB 3180) will be considered as having been met in that the design of the subject project, the satisfaction of the requirements of the County's building, grading, fire, and other codes and ordinances and the satisfaction of the conditions of approval applied to the project will implement the mitigation measures contained in EIR No. 589, Addendum 1 (PA06-0023), Addendum 1.1 (PA110003-0006), the Planning Area 2 Addendum (PA130001-0004 and PA130006), Addendum 3.1 (PA140072-81), and the Planning Area 3 & 4 Amendment and Addendum (PA180030).</p>		
3	GENERAL PLAN CONSISTENCY	VTTM 19305
<p>That the proposed map is consistent with the Orange County General Plan.</p>		
4	DESIGN & IMPROVEMENT	VTTM 19305
<p>That the design and improvement of the proposed subdivision are consistent with the Orange County General Plan.</p>		
5	DEVELOPMENT TYPE	VTTM 19305
<p>That the proposed site is physically suitable for the proposed type of development.</p>		
6	DEVELOPMENT DENSITY	VTTM 19305
<p>That the proposed site is physically suitable for the proposed density of development.</p>		
7	ENVIRONMENTAL DAMAGE	VTTM 19305
<p>That the design of the subdivision or the proposed improvements are not likely to cause substantial environmental damage or substantial and avoidable injury to fish or wildlife or their habitat.</p>		
8	PUBLIC HEALTH	VTTM 19305
<p>That the design of the subdivision and the type of improvements proposed are not likely to cause serious public health problems.</p>		
9	PUBLIC EASEMENTS	VTTM 19305
<p>That the design of the subdivision and the type of improvements proposed will not conflict with easements of record or established by court judgment acquired by the public-at-large for access through or use of property within the proposed subdivision.</p>		
10	SUBDIVISION / ZONING CODE CONSISTENCY	VTTM 19305
<p>That the proposed subdivision complies with the requirements set forth in the Orange County Subdivision Code and the Orange County Zoning Code.</p>		
11	ZONING CONSISTENCY	VTTM 19305
<p>That the design and improvement of the proposed subdivision are suitable for the uses proposed, and the subdivision can be developed in compliance with applicable zoning regulations pursuant to Section 7-9-254 of the Subdivision Code.</p>		
12	SEWER SYSTEM	VTTM 19305 (Custom)
<p>That the discharge of waste from the proposed subdivision into the existing sewer system of the Water District will not result in violations of existing requirements prescribed by the California Regional Water Quality Control Board, San Diego Region.</p>		
13	NATURAL HEATING AND COOLING	VTTM 19305
<p>That the design of the subdivision and its improvements do provide, to the extent feasible, for future passive or natural heating or cooling opportunities as specified in Section 66473.1 of the Government Code (Subdivision Map Act).</p>		
14	FEE PROGRAMS	VTTM 19305
<p>That the following determinations apply to fees required by Sections 7-9-700 through 713, Codified Ordinances of Orange County:</p> <p>A. Purpose of fees: Fire protection, paramedic, law enforcement, library, and general County services.</p> <p>B. Use of fees: Construction of new fire station, sheriff substation, library, and general County facilities in newly developing areas which have inadequate service.</p> <p>C. Relationship between use of fees and type of development: Dwelling units and commercial/industrial structures and their occupants require fire protection, paramedic, law enforcement, library, and general County services.</p> <p>D. Relationship between need for facilities and type of project: Project is located in newly developing area which has inadequate fire protection, paramedic, library services, and sheriff substation and general County facilities.</p> <p>E. Relationship between amount of fees and cost of the portion of the facilities attributable to the development: Fees represent project's pro rata share of the cost of the fire station, sheriff substation, library, and general County facilities.</p>		

15

EXPIRATION OF MAPS

VTTM 19305

That because of participation in fee programs for off-site improvements, this project will qualify for consideration under Section 66452.6 of the Subdivision Map Act.

16

LOCAL PARK CODE

VTTM 19305 (Custom)

That the Local Park Code requirement can be met by an allocation of park lands credit from PM 07-01, the park implementation plan for the Ranch Plan Planned Community.

17

DEVELOPMENT AGREEMENT

VTTM 19305

That the Development Agreement DA04-01 contains provisions requiring developer participation in fee programs, facility construction and development phasing and is therefore in compliance with the adopted Growth Management Element in terms of public services and facilities being made available to accommodate development.

18

APPEAL OF EXACTIONS

VTTM 19305

That the applicant is hereby provided notice that the fees, dedications, reservations or other exactions imposed on this project are as described in this approval as well as the reports and actions accompanying this approval and that the 90-day approval period in which the applicant may protest pursuant to Government Code Section 66020 has begun.

APPENDIX B



Appendix B Conditions of Approval VTTM 19305

1 RANCH PLAN REGULATION COMPLIANCE MATRIX VTTM 19305 (Custom)

The applicant shall comply with all applicable requirements of the Ranch Plan Regulation Compliance Matrix: to the satisfaction of the appropriate decision maker listed in each applicable Regulation Compliance Matrix item. The applicable requirements are listed below and attached as Appendix C:

a. Prior to Recordation:

- 139: EIR 589 Mitigation Measure 4.9-27 – Invasive Plants CC&R Prohibition
- 524: EIR 589 Stand. Cond. 4.4-3 (G04) – Off-site Letter of Consent (if necessary)
- 527 & 527.1: EIR 589 Standard Condition 4.5-1 (D01a) – Drainage Study
- 528 & 528.1: EIR 589 Standard Condition 4.5-2 (D02a) – Drainage Improvements
- 529: EIR 589 Standard Condition 4.5-2 (D02a) – Drainage Improvements
- 532: EIR 589 Standard Condition 4.5-4 (D04b) – Master Plan of Drainage
- 533: EIR 589 Standard Condition 4.5-5 (D06b) – Subordination of Easements
- 534: EIR 589 Standard Condition 4.5-5 (D06b) – SMWD Easements
- 535: EIR 589 Standard Condition 4.5-6 (D07b) – Regional Facility Improvements
- 537 & 537.1: EIR 589 St. Cond. 4.5-8 (WQ01) – Water Quality Management Plan (WQMP)
- 538: EIR 589 St. Cond. 4.5-8 (WQ03) – Water Quality Management Plan (WQMP)
- 544: EIR 589 Standard Condition 4.6-2 (T01) – Vehicular Access Rights
- 545: EIR 589 Standard Condition 4.6-3 (T02) – Private Street Improvements
- 546: 546.1: 546.2 & 546.3: SC 4.6-4: (T04) – Street Improvements
- 549: EIR 589 Standard Condition 4.6-7 (T08) – Traffic Signal Conduit
- 550, 550.1, 550.2 & 550.3: EIR 589 Stand. Cond. 4.6-8 (T12) – Internal Circulation
- 551: EIR 589 Standard Condition 4.6-9 (T13b) – Traffic Signal Maintenance Easement
- 552: EIR 589 Standard Condition 4.6-10 (T14b) – Traffic Signal Installation
- 559 & 559.1: EIR 589 Standard Condition 4.8-3 (N01) – Sound Attenuation
- 589.1: EIR 589 Standard Condition 4.15-1 – Water Improvement Plans
- 597: EIR 589 Standard Condition 4.15-9 – Capistrano Unified School District fees
- 619: Ranch Plan Fire Prot. Program Cond. 4 – OCFA Administrative Approval

b. Prior to Approval of Site Development Permit

- 109: EIR 589 Mitigation Measure 4.7-3 – Shade Trees in Parking Lot Design
- 110: EIR 589 Mitigation Measure 4.7-3 – Use of Light-Colored Roof Materials

c. Prior to Issuance of Grading Permits

- 521: EIR 589 Standard Condition 4.4-1 (G01) – Geotechnical report
- 522: EIR 589 Standard Condition 4.4-2 (G02) – Conformance with TT Map
- 523: EIR 589 Standard Condition 4.4-2 (G02) – Revised TT Map (if necessary)
- 524: EIR 589 Stand. Cond. 4.4-3 (G04) – Off-site Letter of Consent (if necessary)
- 525: EIR 589 Standard Condition 4.4-4 (G09) – Consistency with Planning Approval
- 527 & 527.1: EIR 589 Standard Condition 4.5-1 (D01a) – Drainage Study
- 528 & 528.1: EIR 589 Standard Condition 4.5-2 (D02a) – Drainage Improvements
- 530 & 530.1: EIR 589 Standard Condition 4.5-3 (D02b) – Drainage Improvements
- 537 & 537.1: EIR 589 St. Cond. 4.5-8 (WQ01) – Water Quality Management Plan (WQMP)
- 538: EIR 589 St. Cond. 4.5-8 (WQ03) – Water Quality Management Plan (WQMP)
- 540: EIR 589 St. Cond. 4.5-10 (WQ04) – Stormwater Pollution Prevention (SWPPP)
- 541: EIR 589 St. Cond. 4.5-11 (WQ05) – Erosion and Sediment Control Plan
- 548: EIR 589 Standard Condition 4.6-6 (T07) – Sight Distance
- 555, 555.1 through 555.5: EIR 589 Standard Condition 4.7-1 – Fugitive Dust
- 556, 556.1, 556.2 & 556.3: EIR 589 Standard Condition 4.7-2 – Emission Control
- 557: EIR 589 Standard Condition 4.8-1 (N10) – Hours of Construction
- 558, 558.1, 558.2, 558.3 & 558.4: EIR 589 St. Condition. 4.8-2 (N10) – Construction Noise
- 559 & 559.1: EIR 589 Standard Condition 4.8-3 (N01) – Sound Attenuation
- 567: EIR 589 Standard Condition 4.10-2 (LA02b) – Private Area Landscaping
- 571: EIR 589 Standard Condition 4.11-1 (A04) – Archaeology Grading Observation and Salvage
- 574: EIR 589 Standard Condition 4.11-2 (A07) – Paleontology Resource Surveillance
- 589: EIR 589 Standard Condition 4.14-2 – Hazardous Materials
- 616: Ranch Plan Fire Prot. Program Cond. 3.d. – Precise Fuel Modification Plan

d. Prior to Precise Fuel Modification Plans:

- 138: EIR 589 Mitigation Measure 4.9-27 – Invasive Plants and Fuel Modification

e. Prior to Issuance of Building Permit:

- 111: EIR 589 Mitigation Measure 4.7-3 – Use of Light-Colored Roof Materials
- 140: EIR 589 Mitigation Measure 4.9-28 – Open Space habitat, light shields
- 206: EIR 589 Mitigation Measure 4.15-5 – Capistrano Unified School District fees
- 526: EIR 589 Standard Condition 4.4-5 – Compliance with Code
- 537 & 537.1: EIR 589 St. Cond. 4.5-8 (WQ01) – Water Quality Management Plan (WQMP)
- 538: EIR 589 St. Cond. 4.5-8 (WQ03) – Water Quality Management Plan (WQMP)
- 540: EIR 589 St. Cond. 4.5-10 (WQ04) – Stormwater Pollution Prevention (SWPPP)
- 541: EIR 589 St. Cond. 4.5-11 (WQ05) – Erosion and Sediment Control Plan
- 547: EIR 589 Standard Condition 4.6-5 (T05) – Major Thoroughfare & Bridge Fees
- 550, 550.1, 550.2 & 550.4: EIR 589 Standard Condition 4.6-8 (T12) – Internal Circulation
- 559.2 & 559.3: EIR 589 Standard Condition 4.8-3 (N01) – Sound Attenuation
- 564 & 564.1: EIR 589 Standard Condition 4.10-1 (LA01b) – Public Area Landscaping
- 570: EIR 589 Standard Condition 4.10-3 (LG01) – Light and Glare
- 589: EIR 589 Standard Condition 4.14-2 – Hazardous Materials
- 617: Ranch Plan Fire Prot. Program Cond. 3.e. – Vegetation Clearance

f. Prior to Combustible Construction:

- 609: Ranch Plan Fire Prot. Program Cond. 2.d. – Emergency Access & Water Supply

g. During Construction:
197: EIR 589 Mitigation Measure 4.14-13 – ESA Remedial Measures

h. Prior to Certificates of Occupancy:
529: EIR 589 Standard Condition 4.5-2 (D02a) – Drainage Improvements
531: EIR 589 Standard Condition 4.5-3 (D02b) – Drainage Improvements
539, 539.1 & 539.2: EIR 589 Standard Condition 4.5-9 (WQ03) – Compliance with Water Quality Management Plan (WQMP)
560: EIR 589 Standard Condition 4.8-4 (N09) – Multi-Family Residential Development
563: EIR 589 Standard Condition 4.8-7 (N12) – Transportation Corridor Notification
565 & 566: EIR 589 Standard Condition 4.10-1 (LA01b) – Public Area Landscaping
568 & 569: EIR 589 Standard Condition 4.10-2 (LA02b) – Private Area Landscaping
618: Ranch Plan Fire Prot. Program Cond. 3.f. - Fuel Modification Zones

i. Prior to Release of Grading Bond:
572 & 573: EIR 589 Standard Condition 4.11-1 (A04) – Archaeology Grading Observation and Salvage
575 & 576: EIR 589 Standard Condition 4.11-2 (A07) – Paleontology Resource Surveillance

2 WATER QUALITY MANAGEMENT PLAN VTTM 19305

Prior to the issuance of any grading or building permits, the applicant shall submit for review and approval by the Manager, Permit Services, a Water Quality Management Plan (WQMP) specifically identifying Best Management Practices (BMPs) that will be used onsite to control predictable pollutant runoff. The applicant shall utilize the Orange County Drainage Area Management Plan (DAMP), Model WQMP, and Technical Guidance Manual for reference, and the County’s WQMP template for submittal. This WQMP shall include the following:

- Detailed site and project description
- Potential stormwater pollutants
- Post-development drainage characteristics
- Low Impact Development (LID) BMP selection and analysis
- Structural and Non-Structural source control BMPs
- Site design and drainage plan (BMP Exhibit)
- GIS coordinates for all LID and Treatment Control BMPs
- Operation and Maintenance (O&M) Plan that (1) describes the long-term operation and maintenance requirements for BMPs identified in the BMP Exhibit; (2) identifies the entity that will be responsible for long-term operation and maintenance of the referenced BMPs; and (3) describes the mechanism for funding the long-term operation and maintenance of the referenced BMPs

The BMP Exhibit from the approved WQMP shall be included as a sheet in all plan sets submitted for plan check and all BMPs shall be depicted on these plans. Grading and building plans must be consistent with the approved BMP exhibit.

3 BEST MANAGEMENT PRACTICES VTTM 19305 (Custom)

Prior to issuance of a building permit, the off-site regional Best Management Practices (BMPs) relied upon by this project (e.g., basins, swales, etc.) must be built and/or installed, and operational. The location and operation of these regional BMPs must be in compliance with the Final Project-Specific WQMP for the regional BMP(s). The location and operation of the regional BMP(s) must be demonstrated to the satisfaction of the Manager, Grading and Building Plan Check.

4 COMPLIANCE WITH THE NPDES IMPLEMENTATION VTTM 19305 PROGRAM

Prior to the issuance of a certificate of use and occupancy, the applicant shall demonstrate compliance with the County’s NPDES Implementation Program in a manner meeting the satisfaction of the Manager, OC Inspection, including:

- Demonstrate that all structural Best Management Practices (BMPs) described in the BMP Exhibit from the project’s approved WQMP have been implemented, constructed and installed in conformance with approved plans and specifications
 - Demonstrate that the applicant has complied with all non-structural BMPs described in the project’s WQMP
 - Submit for review and approval an Operations and Maintenance (O&M) Plan for all structural BMPs (the O&M Plan shall become an attachment to the WQMP).
 - Demonstrate that copies of the project’s approved WQMP (with attached O&M Plan) are available for each of the initial occupants.
 - Agree to pay for a Special Investigation from the County of Orange for a date twelve (12) months after the issuance of a Certificate of Use and Occupancy for the project to verify compliance with the approved WQMP and O&M Plan
 - Demonstrate that the applicant has RECORDED one of the following:
 1. The CC&R’s (that must include the approved WQMP and O&M Plan) for the project’s Homeowner’s Association.
 2. A water quality implementation agreement that has the approved WQMP and O&M Plan attached; or
 3. The final approved Water Quality Management Plan (WQMP) and Operations and Maintenance (O&M) Plan.
- (Appendix C - Items 539, 539.1, 539.2)

5 INDEMNIFICATION VTTM 19305 (Custom)

Applicant shall defend with counsel approved by the County of Orange in writing, indemnify and hold harmless the County of Orange, its officers, agents and employees from any claim, action or proceeding against the County, its officers, agents or employees to attack, set aside, void, or annul any approval of the application or related decision, or the adoption of any environmental documents, findings or other environmental determination, by the County of Orange, its Board of Supervisors, Planning Commission, Zoning Administrator, Director of OC Public Works, or Director of Planning concerning this application. The County may, at its sole discretion, participate in the defense of any action, but such participation shall not relieve applicant of his/her obligations under this condition. Applicant shall reimburse the County for any court costs and attorney’s fees that the County may be required to pay as a result of such action. The County shall promptly notify the applicant of any such claim, action or proceeding.

6 BUYER NOTIFICATION MAP VTTM 19305 (Custom)

Prior to the issuance of any building permits for residential construction, the developer RMV Community Development, LLC, shall prepare a map denoting the existing and proposed land uses, arterial highways, and public facilities within the surrounding area for the approval of the Manager, OC Planning. The map content, display, and distribution shall be in accordance with the Buyer Notification Program guidelines listed in Board of Supervisors Resolution 82-1368 and as amended.

7 MANEUVERABILITY EASEMENT VTTM 19305 (Custom)

Prior to recordation of the final tract map, the subdivider shall demonstrate that all necessary ingress/egress easements for vehicle maneuverability within motor courts/alleyways are identified on the final map subject to the satisfaction of the Manager, Land Development. The easement shall prohibit property owners from installing any improvements within the easement area or interfering with the use or maintenance of the easement.

APPENDIX C

Item No.	Cross Reference Column	Source	Condition, Mitigation, Public Benefit or Entitlement Provision	Timing	Subject	Keywords	Title	Requirements or Entitlement Provisions	Reviewing / Approving Authority (Advisory Agency in Parentheses)	Form of Compliance	Guidance for Compliance	Area Application
a. Prior to Recordation												
139	137-138 (EIR 589, MM 4.9-27)	EIR 589	MM 4.9-27 (cont.)	Prior to the recordation of a map for tract adjacent to the RMV Open Space	Biological Resources	CC&Rs, California Exotic Pest Plant Council	Invasive Plants CC&R Prohibition	b. Prior to the recordation of a map for a tract adjacent to the RMV Open Space, the County of Orange shall verify that the CC&Rs contain language prohibiting the planting of plants identified by the California Exotic Pest Plant Council as an invasive risk in Southern California in private landscaped areas.	Director, PDS Director, OC Planning	Provide letter stating that CC&Rs contain language prohibiting the planting of plants on most current California Invasive Plant Inventory	To be cleared for entire Planned Community, upon providing RMV CC&R summary letter [Hyperlink #13] stating CC&Rs contain language prohibiting the planting of plants on most current California Invasive Plant Inventory (www.cal-ipc.org) in private landscape areas. Only applies to recordation of tract maps that include lots located immediately adjacent to RMV Open Space	Each PA
524		EIR 589	SC 4.4-3	Prior to the recordation of a subdivision map or prior to issuance of a Grading Permit, whichever comes first	Geology and Soils (cont.):		Geology and Soils (cont.):	Prior to the recordation of a subdivision map or prior to the issuance of any grading permit, whichever comes first, and if determined necessary by the County of Orange Manager, Subdivision and Grading, the applicant shall record a letter of consent from the affected property owners permitting off-site grading, cross lot drainage, drainage diversions and/or unnatural concentrations. The applicant shall obtain approval of the form of the letter of consent from the Manager, Subdivision and Grading Services before recordation of the letter. (County Standard Condition G04)	County of Orange Director of Planning & Development Services, Director, OC Planning	Recordation of a letter of consent from affected property owners if determined necessary by County of Orange Director of Planning & Development Services		Each PA
527		EIR 589	SC 4.5-1	Prior to recordation of a Subdivision Map or issuance of a Grading Permit, whichever comes first	Drainage Study:		Drainage Study:	Prior to the recordation of a subdivision map (except maps for financing and conveyance purposes only) or prior to the issuance of any grading permits, whichever comes first, the following drainage studies shall be submitted to and approved by the Manager, Subdivision and Grading: (County Standard Condition D01a)	County of Orange Director of Planning & Development Services, Director, OC Planning	Submittal of satisfactory of drainage study		Each PA

Item No.	Cross Reference Column	Source	Condition, Mitigation, Public Benefit or Entitlement Provision	Timing	Subject	Keywords	Title	Requirements or Entitlement Provisions	Reviewing / Approving Authority (Advisory Agency in Parentheses)	Form of Compliance	Guidance for Compliance	Area Application
527.1		EIR 589	SC 4.5-1 (cont.)	See above	Drainage Study (cont.):		Drainage Study (cont.):	A. A drainage study of the project including diversions, off-site areas that drain onto and/or through the project, and justification of any diversions; and B. When applicable, a drainage study evidencing that proposed drainage patterns will not overload existing storm drains; and C. Detailed drainage studies indicating how the project grading, in conjunction with the drainage conveyance systems including applicable swales, channels, street flows, catch basins, storm drains, and flood water retarding, will allow building pads to be safe from inundation from rainfall runoff which may be expected from all storms up to and including the theoretical 100-year flood. (County Standard Condition D01a)	See above	See above		Each PA
528		EIR 589	SC 4.5-2	Prior to recordation of a Subdivision Map or Issuance of a Grading Permit, whichever comes first	Drainage Improvements:		Drainage Improvements:	A. Prior to the recordation of a subdivision map (except maps for financing and conveyance purposes only) or prior to the issuance of any grading permits, whichever comes first, the applicant shall in a manner meeting the approval of the Manager, Subdivision and Grading: (County Standard Condition D02a)	County of Orange Director of Planning & Development Services, Director, OC Planning	Approval of storm drain drainage plans and offer(s) of dedication, if necessary		Each PA
528.1		EIR 589	SC 4.5-2 (cont.)	See above	Drainage Improvements (cont.):		Drainage Improvements (cont.):	1) Design provisions for surface drainage; 2) Design all necessary storm drain facilities extending to a satisfactory point of disposal for the proper control and disposal of storm runoff; and 3) Dedicate the associated easements to the County of Orange, if determined necessary. (County Standard Condition D02a)	See above	See above		Each PA

Item No.	Cross Reference Column	Source	Condition, Mitigation, Public Benefit or Entitlement Provision	Timing	Subject	Keywords	Title	Requirements or Entitlement Provisions	Reviewing / Approving Authority (Advisory Agency in Parentheses)	Form of Compliance	Guidance for Compliance	Area Application
529		EIR 589	SC 4.5-2 (cont.)	Prior to recordation of a Subdivision Map or Issuance of a Certificate of Use and Occupancy, whichever comes first	Drainage Improvements (cont.):		Drainage Improvements (cont.):	B. Prior to the recordation of a subdivision map (except maps for financing and conveyance purposes only) or prior to the issuance of any certificates of use and occupancy, whichever occurs first, said improvements shall be constructed in a manner meeting the approval of the Manager, Construction. (County Standard Condition D02a)	County of Orange Manager of Inspection- Manager, OC Inspection Division	Verification of construction of drainage improvement		Each PA
532		EIR 589	SC 4.5-4	Prior to the recordation of a Subdivision Map (except maps for financing and conveyance purposes only)	Master Plan of Drainage:		Master Plan of Drainage:	Prior to the recordation of a subdivision map (except maps for financing and conveyance purposes only), the subdivider shall participate in the applicable Master Plan of Drainage in a manner meeting the approval of the Manager, Subdivision and Grading, including payment of fees and the construction (or provide evidence of financial security, such as bonding) of the necessary facilities. (County Standard Condition D04b)	County of Orange Director of Planning & Development Services- Director, OC Planning	Verification of participation in Master Plan of Drainage (fees and/or improvements)	See guidance above related to Item No. 30.	Each PA
533		EIR 589	SC 4.5-5	Prior to the recordation of a Subdivision Map	Subordination of Easements:		Subordination of Easements:	Prior to the recordation of a subdivision map (except maps for financing and conveyance purposes only), the subdivider shall not grant any easements over any property subject to a requirement of dedication or irrevocable offer to the County of Orange or the Orange County Flood Control District, unless such easements are expressly made subordinate to the easements to be offered for dedication to the County. Prior to granting any of said easements, the subdivider shall furnish a copy of the proposed easement to the Manager, Subdivision and Grading, for review and approval. (County Standard Condition D06b)	County of Orange Director of Planning & Development Services- Director, OC Planning (Orange County Flood Control District and Santa Margarita Water District)	Verification that any granted easements are subordinate to easements offered to County and provision of copy of said easement(s)	Except in those cases where the County of Orange and the public entity grantee have previously mutually agreed upon conditions to coexist within the easement area.	Each PA

Item No.	Cross Reference Column	Source	Condition, Mitigation, Public Benefit or Entitlement Provision	Timing	Subject	Keywords	Title	Requirements or Entitlement Provisions	Reviewing / Approving Authority (Advisory Agency in Parentheses)	Form of Compliance	Guidance for Compliance	Area Application
534		EIR 589	SC 4.5-5 (cont.)	See above	Subordination of Easements (cont.):		Subordination of Easements (cont.):	The Santa Margarita Water District would restore other improvements or facilities located within the easement, if it has consented to the location of such improvements or facilities to the extent that the exercise of its rights in connecting with the easement impacts other improvements of facilities located within the easement; however, in no event shall Santa Margarita Water District be responsible for the cost of relocating its facilities in event of conflicts with such improvements or facilities. (County Standard Condition D06b)	County of Orange Director of Planning & Development Services Director, OC Planning (Orange County Flood Control District and Santa Margarita Water District)	See above	Except in those cases where the County of Orange and the public entity grantee have previously mutually agreed upon conditions to coexist within the easement area.	Each PA
535		EIR 589	SC 4.5-6	Prior to County of Orange acceptance of improvements as identified by separate agreement the recordation of a Subdivision Map	Regional Facility Improvements:		Regional Facility Improvements:	Prior to County of Orange acceptance of improvements as identified by separate agreement the recordation of a subdivision map, the applicant shall improve Regional Facility _____ by the construction (or evidence of financial security, such as bonding) of _____, an IOD shall be recorded offering said improvements and dedicate right-of-way to the Orange County Flood Control District in a manner meeting the approval of the Manager, Subdivision and Grading. County of Orange to accept IOD upon satisfactory completion of improvements. (County Standard Condition D07b, modified)	County of Orange Director of Planning & Development Services Director, OC Planning (Orange County Flood Control District and Santa Margarita Water District)	Verification of construction and/or offer(s) of dedication for flood control improvements		Each PA

RANCH PLAN REGULATION COMPLIANCE MATRIX GUIDANCE DOCUMENT

Appendix C

PA 3.4 BUILDER "B" MAP REQUIREMENTS SORTED BY MILESTONE

Item No.	Cross Reference Column	Source	Condition, Mitigation, Public Benefit or Entitlement Provision	Timing	Subject	Keywords	Title	Requirements or Entitlement Provisions	Reviewing / Approving Authority (Advisory Agency in Parentheses)	Form of Compliance	Guidance for Compliance	Area Application
537		EIR 589	SC 4.5-8	Prior to the recordation of a Subdivision Map or the issuance of any Grading or Building Permit, whichever comes first	Water Quality Management Plan:		Water Quality Management Plan:	Prior to the recordation of any final subdivision map (except those maps for financing or conveyance purposes only) or the issuance of any grading or building permit (whichever comes first), the applicant shall submit for review and approval by the Manager, Inspection Services Division, a Water Quality Management Plan (WQMP) specifically identifying Best Management Practices (BMPs) that will be used onsite to control predictable pollutant runoff. This WQMP shall identify, at a minimum, the routine structural and non-structural measures specified in the current Drainage Area Management Plan (DAMP). The WQMP may include one or more of the following: (County Standard Condition WQ01)	County of Orange Director of Planning & Development Services, Director, OC Planning	Submittal of satisfactory Water Quality Management Plan		Each PA
537.1		EIR 589	SC 4.5-8 (cont.)	See above	Water Quality Management Plan (cont.):		Water Quality Management Plan (cont.):	<ul style="list-style-type: none"> • Discuss regional water quality and/or watershed programs (if available for the project); • Address Site Design BMPs (as applicable) such as minimizing impervious areas, maximizing permeability, minimizing directly connected impervious areas, creating reduced or "zero discharge" areas, and conserving natural areas; • Include the applicable Routine Source Control BMPs as defined in the DAMP. (County Standard Condition WQ01) 	See above	See above		Each PA
538		EIR 589	SC 4.5-8 (cont.)	See above	Water Quality Management Plan (cont.):		Water Quality Management Plan (cont.):	Demonstrate how surface runoff and subsurface drainage shall be managed and directed to the nearest acceptable drainage facility (as applicable), via sump pumps if necessary. (Standard Condition of Approval, WQ03)	See above	See above		Each PA

RANCH PLAN REGULATION COMPLIANCE MATRIX GUIDANCE DOCUMENT

Appendix C

PA 3.4 BUILDER "B" MAP REQUIREMENTS SORTED BY MILESTONE

Item No.	Cross Reference Column	Source	Condition, Mitigation, Public Benefit or Entitlement Provision	Timing	Subject	Keywords	Title	Requirements or Entitlement Provisions	Reviewing / Approving Authority (Advisory Agency in Parentheses)	Form of Compliance	Guidance for Compliance	Area Application
544		EIR 589	SC 4.6-2	Prior to the recordation of a Subdivision Map	Vehicular Access Rights:		Vehicular Access Rights:	Prior to the recordation of a subdivision map, the subdivider shall place notes on the final map which release and relinquish vehicular access rights to all arterial highways to the County of Orange, except for access locations approved by the County of Orange, in a manner meeting the approval of the Manager, Subdivision and Grading. (County Standard Condition T01)	County of Orange Director of Planning & Development Services, Director, OC Planning	Verification of notes on the final map which release and relinquish vehicular access rights to all arterial highways to the County of Orange except for access locations approved by the County of Orange	Note shall state: "Rancho Mission Viejo or assigns hereby release and relinquish vehicular access rights to all arterial highways to the County of Orange, except for access locations approved by the County of Orange"	Each PA
545		EIR 589	SC 4.6-3	Prior to the recordation of a Subdivision Map	Private Street Improvements:		Private Street Improvements:	Prior to the recordation of a subdivision map, the subdivider shall place a note on the map, in a manner that meets the approval of the Manager, Subdivision and Grading Services, that states: "The private streets constructed within this map shall be owned, operated and maintained by the developer, successors or assigns. The County of Orange shall have no responsibility therefore unless pursuant to appropriate sections of the Streets and Highways Code of the State of California, the said private streets have been accepted into the County Road System by appropriate resolution of the Orange County Board of Supervisors. (County Standard Condition T02)	County of Orange Director of Planning & Development Services, Director, OC Planning	Verification of a note on the Subdivision Map	Note shall make statement listed in quotations in condition.	Each PA
546		EIR 589	SC 4.6-4	Prior to the recordation of a Subdivision Map	Street Improvements (cont.):		Street Improvements (cont.):	Prior to the recordation of a subdivision map, the subdivider shall design and construct (or provide evidence of financial security, such as bonding) the following improvements in accordance with plans and specifications meeting the approval of the Manager, Subdivision and Grading: (County Standard Condition T04)	County of Orange Director of Planning & Development Services, Director, OC Planning	Submittal of satisfactory improvements and utility plans with verification of subsequent construction/in stallation of improvements	If applicable, bonding may substitute for construction of each of the required improvements.	Each PA
546.1		EIR 589	SC 4.6-4 (cont.)	See above	Street Improvements (cont.):		Street Improvements (cont.):	A. Streets, bus stops, on-road bicycle trails, street names, signs, striping and stenciling. (County Standard Condition T04)	See above	See above	See above	Each PA
546.2		EIR 589	SC 4.6-4 (cont.)	See above	Street Improvements (cont.):		Street Improvements (cont.):	B. The water distribution system and appurtenances shall also conform to the applicable laws and adopted regulations enforced by the County Fire Chief. (County Standard Condition T04)	See above	See above	See above	Each PA
546.3		EIR 589	SC 4.6-4 (cont.)	See above	Street Improvements (cont.):		Street Improvements (cont.):	C. Underground utilities (including gas, cable, electrical and telephone), streetlights, and mailboxes. (County Standard Condition T04)	See above	See above	See above	Each PA

RANCH PLAN REGULATION COMPLIANCE MATRIX GUIDANCE DOCUMENT

Appendix C

PA 3.4 BUILDER "B" MAP REQUIREMENTS SORTED BY MILESTONE

Item No.	Cross Reference Column	Source	Condition, Mitigation, Public Benefit or Entitlement Provision	Timing	Subject	Keywords	Title	Requirements or Entitlement Provisions	Reviewing / Approving Authority (Advisory Agency in Parentheses)	Form of Compliance	Guidance for Compliance	Area Application
549		EIR 589	SC 4.6-7	Prior to the recordation of a Subdivision Map	Traffic Signal Conduit:		Traffic Signal Conduit:	Prior to the recordation of a subdivision map, the subdivider shall install (or provide evidence of financial security, such as bonding, that) all underground traffic signal conduits (e.g., signals, phones, power, loop detectors, etc.) and other appurtenances (e.g., pull boxes, etc.) needed for future traffic signal construction, and for future interconnection with adjacent intersections, all in accordance with plans and specifications meeting the approval of the Manager, Subdivision and Grading. (County Standard Condition T08)	County of Orange Director of Planning & Development Services, Director, OC Planning	Approved traffic signal plans with verification of subsequent installation	If applicable, bonding may substitute for construction of each of the required improvements.	Each PA
550		EIR 589	SC 4.6-8	Prior to the recordation of a Subdivision Map or prior to the issuance of Building Permits, whichever occurs first	Internal Circulation:		Internal Circulation:	A. Prior to the recordation of a subdivision map or the issuance of any building permits, whichever occurs first, the subdivider shall provide plans and specifications meeting the approval of the Manager, Subdivision and Grading, for the design of the following improvements: (County Standard Condition T12)	County of Orange Director of Planning & Development Services,	Submittal of satisfactory street improvement plans		Each PA
550.1		EIR 589	SC 4.6-8 (cont.)	See above	Internal Circulation (cont.):		Internal Circulation (cont.):	1) Internal street common private drive system. (County Standard Condition T12)	See above	See above		Each PA
550.2		EIR 589	SC 4.6-8 (cont.)	See above	Internal Circulation (cont.):		Internal Circulation (cont.):	2) Entrance to the site to emphasize that the development is private by use of signs and other features. (Standard Condition of Approval T12)	See above	See above		Each PA
550.3		EIR 589	SC 4.6-8 (cont.)	Prior to the recordation of Subdivision Map.	Internal Circulation (cont.):		Internal Circulation (cont.):	B. Prior to the recordation of a subdivision map, the applicant shall construct (or provide evidence of financial security, such as bonding) the above improvements in a manner meeting the approval of the Manager, Construction. (County Standard Condition T12)	County of Orange Manager of Inspection, Manager, OC Inspection Division	Verification of improvements' construction in SC 4.6-8A	If applicable, bonding may substitute for construction of each of the required improvements.	Each PA
551		EIR 589	SC 4.6-9	Prior to the recordation of a Subdivision Map	Traffic Signal Maintenance Easement:		Traffic Signal Maintenance Easement:	Prior to the recordation of a subdivision map, the subdivider shall dedicate a signal maintenance easement to the County of Orange at the project site access, in a manner meeting the approval of the Manager, Subdivision and Grading. (County Standard Condition T13b)	County of Orange Director of Planning & Development Services, Director, OC Planning	Submittal of offer(s) of dedication for signal maintenance easement(s)		Each PA

RANCH PLAN REGULATION COMPLIANCE MATRIX GUIDANCE DOCUMENT

Appendix C

PA 3.4 BUILDER "B" MAP REQUIREMENTS SORTED BY MILESTONE

Item No.	Cross Reference Column	Source	Condition, Mitigation, Public Benefit or Entitlement Provision	Timing	Subject	Keywords	Title	Requirements or Entitlement Provisions	Reviewing / Approving Authority (Advisory Agency in Parentheses)	Form of Compliance	Guidance for Compliance	Area Application
552		EIR 589	SC 4.6-10	Prior to the recordation of a Subdivision Map	Traffic Signal Installation:		Traffic Signal Installation:	Prior to the recordation of a subdivision map, the subdivider shall design and construct/provide a cash deposit of ___ % of the cost of / enter into an agreement with the County of Orange, accompanied by financial security, for the cost of ___ % of) a traffic signal at the intersection of ___ and ___, in a manner meeting the approval of the Manager, Subdivision and Grading. (County Standard Condition T14b)	County of Orange Director of Planning & Development Services, Director, OC Planning	Verification of approved street improvement plans with subsequent installation of improvements or enter into agreement with County for construction (with appropriate financial security)	If applicable, bonding may substitute for construction of each of the required improvements.	Each PA
559		EIR 589	SC 4.8-3	See below	Sound Attenuation:		Sound Attenuation:	The applicant shall sound attenuate all residential lots and dwellings against present and projected noise (which shall be the sum of all noise impacting the project) so that the composite interior standard of 45 dBA CNEL for habitable rooms and a source specific exterior standard of 65 dBA CNEL for outdoor living areas is not exceeded. The applicant shall provide a report prepared by a County-certified acoustical consultant, which demonstrates that these standards will be satisfied in a manner consistent with Zoning Code Section 7-9-137.5, as follows: (County Standard Condition N01)	County of Orange Director of Planning & Development Services and County of Orange Manager of Building Permits Services, Director, OC Planning and Manager, Permit Services (Building Plan Check)	Submittal of satisfactory acoustical analysis	Staff may determine that no attenuation is necessary, and no action is required (as occurred in PA1). In such a case a "not applicable" memo is to be prepared. Applicant and County staff to address AC units in side yards as soon as possible.	Each PA
559.1		EIR 589	SC 4.8-3 (cont.)	Prior to the recordation of a subdivision map or prior to the issuance of grading permits	Sound Attenuation (cont.):		Sound Attenuation (cont.):	a. Prior to the recordation of a subdivision map or prior to the issuance of grading permits, as determined by the Manager, Building Permits Services, the applicant shall submit an acoustical analysis report to the Manager, Building Permits Services, for approval. The report shall describe in detail the exterior noise environment and preliminary mitigation measures. Acoustical design features to achieve interior noise standards may be included in the report in which case it may also satisfy Condition B below. (County Standard Condition N01)	See above	See above		Each PA

RANCH PLAN REGULATION COMPLIANCE MATRIX GUIDANCE DOCUMENT

Appendix C

PA 3.4 BUILDER "B" MAP REQUIREMENTS SORTED BY MILESTONE

Item No.	Cross Reference Column	Source	Condition, Mitigation, Public Benefit or Entitlement Provision	Timing	Subject	Keywords	Title	Requirements or Entitlement Provisions	Reviewing / Approving Authority (Advisory Agency in Parentheses)	Form of Compliance	Guidance for Compliance	Area Application
589.1		EIR 589	SC 4.15-1	Prior to recordation of final tract a-subdivision maps (alternatively subdivider may enter into a subdivision improvement agreement with the County	Water Improvement Plans:		Water Improvement Plans:	Prior to the recordation of a subdivision map, the subdivider shall design and construct (or provide evidence of financial security, such as bonding) water distribution system and appurtenances that conform to the applicable laws and adopted regulations enforced by the County Fire Chief, in accordance with plans and specifications meeting the approval of the Manager, Subdivision and Grading. (Added per MMRP attached to 11/8/06 CEQA Resolution 04-290)	County of Orange Director of Planning & Development Services- Director, OC Planning (OCFA)	Approved water improvement plans with subsequent construction of improvement	Applicant must submit one of the following: (1) approved improvement plan consisted with referenced Plan of Works, (2) letters from both SMWD and OCFA indicating sufficient water supply and pressure for Map area, or (3) subdivision improvement agreement with County.	Each PA
597		EIR 589	SC 4.15-9		CUSD Fees:		CUSD Fees:	Prior to the recordation of final tract map, the project applicant shall provide for the payment of fees pursuant to California Government Code Section 65995, unless other provision are required of the applicant through the agreement with CUSD (see Mitigation Measure 4.15-5).	N/A	Compliance with CUSD agreement	Payment of school fees per CUSD/RMV Agreement	PC-Wide
619		Fire Prot. Prog.	Cond. 4	Prior to recordation of each Tract Map	Administrative Approval of Tract Maps		Administrative Approval of Tract Maps	Prior to recordation of each Tract Map, the applicant shall submit a copy of the proposed Tract map to OCFA for administrative approval (verifying that the map remains consistent with previous approvals), and for OCFA's record keeping purposes.	Director, PDS, Director, OC Planning	Submit a copy of the proposed Tract map to OCFA for administrative approval		
COA #7		PA3.3 Builer "B" Map COAs	Cond. #7	Prior to recordation of the final tract map			MANEUVERABILITY EASEMENT	Prior to recordation of the final tract map, the subdivider shall demonstrate that all necessary ingress/egress easements for vehicle maneuverability within motor courts/alleyways are identified on the final map subject to the satisfaction of the Planning Manager. The easement shall prohibit property owners from installing any improvements within the easement area or interfering with the use or maintenance of the easement.	Director, PDS, Director, OC Planning	Submit a copy of the proposed Tract map to OCFA for administrative approval		

Item No.	Cross Reference Column	Source	Condition, Mitigation, Public Benefit or Entitlement Provision	Timing	Subject	Keywords	Title	Requirements or Entitlement Provisions	Reviewing / Approving Authority (Advisory Agency in Parentheses)	Form of Compliance	Guidance for Compliance	Area Application
b. Prior to Approval of Site Development Permit												
109		EIR 589	MM 4.7-3	Prior to approval of Master Area Plan or Subarea Plan Site Development Permit	Air Quality	Shade trees, evaporative emissions	Incorporate Shade Trees into Parking Lot Design	With the submittal of each Master Area Plan, the project applicant shall identify how shade trees can be incorporated into parking lot designs (to reduce evaporative emissions from parked vehicles); where shade trees can be sited (to reduce summer cooling needs); and how shade trees would be incorporated into bicycle and pedestrian path design. <i>[Note: for the purposes of clarification, the timing of this requirement should be interpreted to read as follows: Prior to approval of each applicable Site Development permit, the project applicant shall ...]</i>	Director, PDS Director, OC Planning	Submittal of satisfactory landscape plans (precise, not general landscape plan at SDP level)		Each PA
110	111 (MM 4.7-3)	EIR 589	MM 4.7-3 (cont.)	Prior to approval of Master Area Plan or Subarea Plan Site Development Permit	Air Quality	Light-colored roof materials	Use Light-Colored Roof Materials to Reflect Heat (Item Nos. 110-111)	As a part of each Master Area Plan, the applicant shall identify how the use of light-colored roof materials and paint to reflect heat to the extent feasible has been incorporated into the design plans. <i>[Note: for the purposes of clarification, the timing of this requirement should be interpreted to read as follows: Prior to approval of each applicable Site Development permit, the project applicant shall ...]</i>	Director, PDS Director, OC Planning	Issuance of Building Permit (Evidence of reflection of materials)		Each PA
c. Prior to Issuance of Grading Permits												
521		EIR 589	SC 4.4-1	Prior to the issuance of a grading permit	Geology and Soils:		Geology and Soils:	Prior to the issuance of a grading permit, the applicant shall submit a geotechnical report to the Manager of Subdivision Manager OC Planned Communities and Grading, for approval. The report shall meet the requirements outlined in the County of Orange Grading Code and Manual. (County Standard Condition G01)	County of Orange Director of Planning & Development Services, Director, OC Planning	Submittal of satisfactory geotechnical report		Each PA
522		EIR 589	SC 4.4-2	Prior to the issuance of a grading permit	Geology and Soils (cont.):		Geology and Soils (cont.):	Prior to the issuance of any grading permits, the Manager of Subdivision and Grading shall review the grading plan for conformance with the grading shown on the approved tentative map. If the applicant submits a grading plan which the Manager of Subdivision and Grading Manager OC Planned Communities determines to show a significant deviation from the grading shown on the approved tentative map, specifically with regard to slope heights, slope ratios, pad elevations or configurations, the Subdivision Committee shall review the plan for a finding of substantial conformance. (County Standard Condition G02)	County of Orange Director of Planning & Development Services, Director, OC Planning	Approval of grading plan demonstrating submittal conformance with the grading shown on the approved TTM		Each PA

RANCH PLAN REGULATION COMPLIANCE MATRIX GUIDANCE DOCUMENT

Appendix C

PA 3.4 BUILDER "B" MAP REQUIREMENTS SORTED BY MILESTONE

Item No.	Cross Reference Column	Source	Condition, Mitigation, Public Benefit or Entitlement Provision	Timing	Subject	Keywords	Title	Requirements or Entitlement Provisions	Reviewing / Approving Authority (Advisory Agency in Parentheses)	Form of Compliance	Guidance for Compliance	Area Application
523		EIR 589	SC 4.4-2 (cont.)	Prior to the issuance of a grading permit	Geology and Soils (cont.):		Geology and Soils (cont.):	If the Subdivision Committee fails to make such a finding, the applicant shall process a revised tentative map; or, if a final map has been recorded, the applicant shall process a new tentative map or a site development permit application per Orange County Zoning Code Sections 7-9-139 and 7-9-150. Additionally, the applicant shall process a new environmental assessment for determination by the decision making entity. (County Standard Condition G02)	Subdivision Committee review for substantial conformance, if required	Process new subdivision, if necessary		Each PA
524		EIR 589	SC 4.4-3	Prior to the recordation of a subdivision map or prior to issuance of a Grading Permit, whichever comes first	Geology and Soils (cont.):		Geology and Soils (cont.):	Prior to the recordation of a subdivision map or prior to the issuance of any grading permit, whichever comes first, and if determined necessary by the County of Orange Manager, Subdivision and Grading, the applicant shall record a letter of consent from the affected property owners permitting off-site grading, cross lot drainage, drainage diversions and/or unnatural concentrations. The applicant shall obtain approval of the form of the letter of consent from the Manager, Subdivision and Grading Services before recordation of the letter. (County Standard Condition G04)	County of Orange Director of Planning & Development Services, Director, OC Planning	Recordation of a letter of consent from affected property owners if determined necessary by County of Orange Director of Planning & Development Services		Each PA
525		EIR 589	SC 4.4-4	Prior to the issuance of grading permits	Geology and Soils (cont.):		Geology and Soils (cont.):	Prior to issuance of grading permits, the Manager of Subdivision and Grading Manager OC Planned Communities shall determine that the proposed grading is consistent with the grading depicted within the approved planning application. (County Standard Condition G09)	County of Orange Director of Planning & Development Services, Director, OC Planning	Approval of grading plan		Each PA
527		EIR 589	SC 4.5-1	Prior to recordation of a Subdivision Map or issuance of a Grading Permit, whichever comes first	Drainage Study:		Drainage Study:	Prior to the recordation of a subdivision map (except maps for financing and conveyance purposes only) or prior to the issuance of any grading permits, whichever comes first, the following drainage studies shall be submitted to and approved by the Manager, Subdivision and Grading: (County Standard Condition D01a)	County of Orange Director of Planning & Development Services, Director, OC Planning	Submittal of satisfactory of drainage study		Each PA

Item No.	Cross Reference Column	Source	Condition, Mitigation, Public Benefit or Entitlement Provision	Timing	Subject	Keywords	Title	Requirements or Entitlement Provisions	Reviewing / Approving Authority (Advisory Agency in Parentheses)	Form of Compliance	Guidance for Compliance	Area Application
527.1		EIR 589	SC 4.5-1 (cont.)	See above	Drainage Study (cont.):		Drainage Study (cont.):	A. A drainage study of the project including diversions, off-site areas that drain onto and/or through the project, and justification of any diversions; and B. When applicable, a drainage study evidencing that proposed drainage patterns will not overload existing storm drains; and C. Detailed drainage studies indicating how the project grading, in conjunction with the drainage conveyance systems including applicable swales, channels, street flows, catch basins, storm drains, and flood water retarding, will allow building pads to be safe from inundation from rainfall runoff which may be expected from all storms up to and including the theoretical 100-year flood. (County Standard Condition D01a)	See above	See above		Each PA
528		EIR 589	SC 4.5-2	Prior to recordation of a Subdivision Map or Issuance of a Grading Permit, whichever comes first	Drainage Improvements:		Drainage Improvements:	A. Prior to the recordation of a subdivision map (except maps for financing and conveyance purposes only) or prior to the issuance of any grading permits, whichever comes first, the applicant shall in a manner meeting the approval of the Manager, Subdivision and Grading: (County Standard Condition D02a)	County of Orange Director of Planning & Development Services, Director, OC Planning	Approval of storm drain drainage plans and offer(s) of dedication, if necessary		Each PA
528.1		EIR 589	SC 4.5-2 (cont.)	See above	Drainage Improvements (cont.):		Drainage Improvements (cont.):	1) Design provisions for surface drainage; 2) Design all necessary storm drain facilities extending to a satisfactory point of disposal for the proper control and disposal of storm runoff; and 3) Dedicate the associated easements to the County of Orange, if determined necessary. (County Standard Condition D02a)	See above	See above		Each PA

Item No.	Cross Reference Column	Source	Condition, Mitigation, Public Benefit or Entitlement Provision	Timing	Subject	Keywords	Title	Requirements or Entitlement Provisions	Reviewing / Approving Authority (Advisory Agency in Parentheses)	Form of Compliance	Guidance for Compliance	Area Application
530		EIR 589	SC 4.5-3	Prior to the issuance of Grading Permits	Drainage Improvements (cont.):		Drainage Improvements (cont.):	A. Prior to the issuance of any grading permits, the applicant shall in a manner meeting the approval of the Manager, Subdivision and Grading: (County Standard Condition D02b)	County of Orange Director of Planning & Development Services, Director, OC Planning	Submittal of satisfactory drainage plans		Each PA
530.1		EIR 589	SC 4.5-3 (cont.)	See above	Drainage Improvements (cont.):		Drainage Improvements (cont.):	1) Design provisions for surface drainage; and 2) Design all necessary storm drain facilities extending to a satisfactory point of disposal for the proper control and disposal of storm runoff; and 3) Dedicate the associated easements to the County of Orange, if determined necessary. (County Standard Condition D02b)	See above	See above		Each PA
537		EIR 589	SC 4.5-8	Prior to the recordation of a Subdivision Map or the issuance of any Grading or Building Permit, whichever comes first	Water Quality Management Plan:		Water Quality Management Plan:	Prior to the recordation of any final subdivision map (except those maps for financing or conveyance purposes only) or the issuance of any grading or building permit (whichever comes first), the applicant shall submit for review and approval by the Manager, Inspection Services Division, a Water Quality Management Plan (WQMP) specifically identifying Best Management Practices (BMPs) that will be used onsite to control predictable pollutant runoff. This WQMP shall identify, at a minimum, the routine structural and non-structural measures specified in the current Drainage Area Management Plan (DAMP). The WQMP may include one or more of the following: (County Standard Condition WQ01)	County of Orange Director of Planning & Development Services, Director, OC Planning	Submittal of satisfactory Water Quality Management Plan		Each PA

RANCH PLAN REGULATION COMPLIANCE MATRIX GUIDANCE DOCUMENT

Appendix C

PA 3.4 BUILDER "B" MAP REQUIREMENTS SORTED BY MILESTONE

Item No.	Cross Reference Column	Source	Condition, Mitigation, Public Benefit or Entitlement Provision	Timing	Subject	Keywords	Title	Requirements or Entitlement Provisions	Reviewing / Approving Authority (Advisory Agency in Parentheses)	Form of Compliance	Guidance for Compliance	Area Application
537.1		EIR 589	SC 4.5-8 (cont.)	See above	Water Quality Management Plan (cont.):		Water Quality Management Plan (cont.):	<ul style="list-style-type: none"> • Discuss regional water quality and/or watershed programs (if available for the project); • Address Site Design BMPs (as applicable) such as minimizing impervious areas, maximizing permeability, minimizing directly connected impervious areas, creating reduced or "zero discharge" areas, and conserving natural areas; • Include the applicable Routine Source Control BMPs as defined in the DAMP. (County Standard Condition WQ01) 	See above	See above		Each PA
538		EIR 589	SC 4.5-8 (cont.)	See above	Water Quality Management Plan (cont.):		Water Quality Management Plan (cont.):	Demonstrate how surface runoff and subsurface drainage shall be managed and directed to the nearest acceptable drainage facility (as applicable), via sump pumps if necessary. (Standard Condition of Approval, WQ03)	See above	See above		Each PA
540		EIR 589	SC 4.5-10	Prior to the issuance of any Grading or Building Permits	Stormwater Pollution Prevention Plan.		Stormwater Pollution Prevention Plan.	<p>Prior to the issuance of any grading or building permits, the applicant shall demonstrate compliance under California's General Permit for Stormwater Discharges Associated with Construction Activity by providing a copy of the Notice of Intent (NOI) submitted to the State Water Resources Control Board and a copy of the subsequent notification of the issuance of a Waste Discharge Identification (WDID) Number or other proof of filing in a manner meeting the satisfaction of the Manager, Building Permit Services. Projects subject to this requirement shall prepare and implement a Stormwater Pollution Prevention Plan (SWPPP). A copy of the current SWPPP shall be kept at the project site and be available for County review on request. (County Standard Condition WQ04)</p>	County of Orange Manager of Building Inspection Manager, OC Inspection Division (Regional Water Quality Control Board)	Provision of Notice of Intent and verification of a copy of the Storm Water Pollution Prevention Plan (SWPPP); at the project site		Each PA

RANCH PLAN REGULATION COMPLIANCE MATRIX GUIDANCE DOCUMENT

Appendix C

PA 3.4 BUILDER "B" MAP REQUIREMENTS SORTED BY MILESTONE

Item No.	Cross Reference Column	Source	Condition, Mitigation, Public Benefit or Entitlement Provision	Timing	Subject	Keywords	Title	Requirements or Entitlement Provisions	Reviewing / Approving Authority (Advisory Agency in Parentheses)	Form of Compliance	Guidance for Compliance	Area Application
541		EIR 589	SC 4.5-11	Prior to the issuance of any Grading or Building Permits	Erosion and Sediment Control Plan.		Erosion and Sediment Control Plan.	Prior to the issuance of any grading or building permit, the applicant shall submit a Erosion and Sediment Control Plan (ESCP) in a manner meeting approval of the Manager, Building Permit Services, to demonstrate compliance with local and state water quality regulations for grading and construction activities. The ESCP shall identify how all construction materials, wastes, grading or demolition debris, and stockpiles of soil, aggregates, soil amendments, etc. shall be properly covered, stored, and secured to prevent transport into local drainages or coastal waters by wind, rain, tracking, tidal erosion or dispersion. The ESCP shall also describe how the applicant will ensure that all BMPs will be maintained during construction of any future public right-of-ways. A copy of the current ESCP shall be kept at the project site and be available for County review on request. (County Standard Condition WQ05)	County of Orange Manager of Building Permits, Manager, Permit Services (Building Plan Check)	Submittal of satisfactory Erosion and Sediment Control Plan (ESCP); verification of copy of ESCP at project site		Each PA
548		EIR 589	SC 4.6-6	Prior to the issuance of Grading Permits	Sight Distance:		Sight Distance:	Prior to the issuance of any grading permits, the applicant shall provide adequate sight distance per Standard Plan 1117 at all street intersections, in a manner meeting the approval of the Manager, Subdivision and Grading. The applicant shall make all necessary revisions to the plan to meet the sight distance requirement such as removing slopes or other encroachments from the limited use area in a manner meeting the approval of the Manager, Subdivision and Grading Services. (Standard Condition of Approval T07)	County of Orange Director of Planning & Development Services, Director, OC Planning	Approved grading plans verifying adequate sight distance		Each PA
555		EIR 589	SC 4.7-1	Prior to the issuance of a grading permit	Fugitive Dust:		Fugitive Dust:	All construction contractors shall comply with South Coast Air Quality Management District (SCAQMD) regulations, including Rule 403, Fugitive Dust, and Rule 402, Nuisance. All grading (regardless of acreage) shall apply best available control measures for fugitive dust in accordance with Rule 403. To ensure that the project is in full compliance with applicable SCAQMD dust regulations and that there is no nuisance impact off the site, the contractor would implement each of the following:	County of Orange Director of Planning & Development Services, Director, OC Planning	Verification of compliance with Rule 403 and Rule 402		Each PA

Item No.	Cross Reference Column	Source	Condition, Mitigation, Public Benefit or Entitlement Provision	Timing	Subject	Keywords	Title	Requirements or Entitlement Provisions	Reviewing / Approving Authority (Advisory Agency in Parentheses)	Form of Compliance	Guidance for Compliance	Area Application
555.1		EIR 589	SC 4.7-1 (cont.)	See above	Fugitive Dust (cont.):		Fugitive Dust (cont.):	a. Moisture soil not more than 15 minutes prior to moving soil or conduct whatever watering is necessary to prevent visible dust emissions from traveling more than 100 feet in any direction.	See above	See above		Each PA
555.2		EIR 589	SC 4.7-1 (cont.)	See above	Fugitive Dust (cont.):		Fugitive Dust (cont.):	b. Apply chemical stabilizers to disturbed surface areas (i.e., completed grading areas) within five days of completing grading or apply dust suppressants or vegetation sufficient to maintain a stabilized surface.	See above	See above		Each PA
555.3		EIR 589	SC 4.7-1 (cont.)	See above	Fugitive Dust (cont.):		Fugitive Dust (cont.):	c. Water excavated soil piles hourly or cover with temporary coverings.	See above	See above		Each PA
555.4		EIR 589	SC 4.7-1 (cont.)	See above	Fugitive Dust (cont.):		Fugitive Dust (cont.):	d. Water exposed surfaces at least twice a day under calm conditions. Water as often as needed on windy days when winds are less than 25 miles per day or during very dry weather in order to maintain a surface crust and prevent the release of visible emissions from the construction site.	See above	See above		Each PA
555.5		EIR 589	SC 4.7-1 (cont.)	See above	Fugitive Dust (cont.):		Fugitive Dust (cont.):	e. Wash mud-covered tires and under-carriages of trucks leaving construction sites.	See above	See above		Each PA
555.5		EIR 589	SC 4.7-1 (cont.)	See above	Fugitive Dust (cont.):		Fugitive Dust (cont.):	f. Provide for street sweeping, as needed, on adjacent roadways to remove dirt dropped by construction vehicles or mud, which would otherwise be carried off by trucks departing from project sites.	See above	See above		Each PA
556		EIR 589	SC 4.7-2	Prior to issuance of a grading permit	Construction - ROC and NOX Emissions:		Construction - ROC and NOX Emissions:	The applicant shall comply with the following measures, as feasible, to reduce NO _x and ROC from heavy equipment.	County of Orange Director of Planning & Development Services, Director, OC Planning	Place as general notes on approved grading plan		Each PA
556.1		EIR 589	SC 4.7-2 (cont.)	See above	Construction Emissions:		Construction Emissions:	a. Turn equipment off when not in use for more than five minutes.	See above	See above		Each PA
556.2		EIR 589	SC 4.7-2 (cont.)	See above	Construction Emissions (cont.):		Construction Emissions (cont.):	b. Maintain equipment engines in good condition and in proper tune as per manufacturers' specifications.	See above	See above		Each PA
556.3		EIR 589	SC 4.7-2 (cont.)	See above	Construction Emissions (cont.):		Construction Emissions (cont.):	c. Lengthen the construction period during smog season (May through October) to minimize the number of vehicles and equipment operating at the same time.	See above	See above		Each PA

Item No.	Cross Reference Column	Source	Condition, Mitigation, Public Benefit or Entitlement Provision	Timing	Subject	Keywords	Title	Requirements or Entitlement Provisions	Reviewing / Approving Authority (Advisory Agency in Parentheses)	Form of Compliance	Guidance for Compliance	Area Application
557		EIR 589	SC 4.8-1	Prior to the issuance of grading permits	Hours of Construction:		Hours of Construction:	During construction, the project applicant shall ensure that all noise generating activities be limited to the hours of 7 a.m. to 8 p.m. on weekdays and Saturdays. No noise generating activities shall occur on Sundays and holidays in accordance with the County of Orange Noise Ordinance.	County of Orange Director of Planning & Development Services, Director, OC Planning	General note on approved grading plan		Each PA
558		EIR 589	SC 4.8-2	Prior to the issuance of grading permits	Construction Noise:		Construction Noise:	A. Prior to the issuance of any grading permits, the project proponent shall produce evidence acceptable to the Manager, Building Permits Services, that: (County Standard Condition N10)	County of Orange Director of Planning & Development Services, Director, OC Planning	General note on approved grading plan		Each PA
558.1		EIR 589	SC 4.8-2 (cont.)	See above	Construction Noise (cont.):		Construction Noise (cont.):	(1) All construction vehicles or equipment, fixed or mobile, operated within 1,000' of a dwelling shall be equipped with properly operating and maintained mufflers. (County Standard Condition N10)	See above	See above		Each PA
558.2		EIR 589	SC 4.8-2 (cont.)	See above	Construction Noise (cont.):		Construction Noise (cont.):	(2) All operations shall comply with Orange County Codified Ordinance Division 6 (Noise Control). (County Standard Condition N10)	See above	See above		Each PA
558.3		EIR 589	SC 4.8-2 (cont.)	See above	Construction Noise (cont.):		Construction Noise (cont.):	(3) Stockpiling and/or vehicle staging areas shall be located as far as practicable from dwellings. (County Standard Condition N10)	See above	See above		Each PA
558.4		EIR 589	SC 4.8-2 (cont.)	See above	Construction Noise (cont.):		Construction Noise (cont.):	B. Notations in the above format, appropriately numbered and included with other notations on the front sheet of the project's permitted grading plans, will be considered as adequate evidence of compliance with this condition. (County Standard Condition N10)	See above	See above		Each PA
559		EIR 589	SC 4.8-3	See below	Sound Attenuation:		Sound Attenuation:	The applicant shall sound attenuate all residential lots and dwellings against present and projected noise (which shall be the sum of all noise impacting the project) so that the composite interior standard of 45 dBA CNEL for habitable rooms and a source specific exterior standard of 65 dBA CNEL for outdoor living areas is not exceeded. The applicant shall provide a report prepared by a County-certified acoustical consultant, which demonstrates that these standards will be satisfied in a manner consistent with Zoning Code Section 7-9-137.5, as follows: (County Standard Condition N01)	County of Orange Director of Planning & Development Services and County of Orange Manager of Building Permits Services, Director, OC Planning and Manager, Permit Services (Building Plan Check)	Submittal of satisfactory acoustical analysis	Staff may determine that no attenuation is necessary, and no action is required (as occurred in PA1). In such a case a "not applicable" memo is to be prepared. Applicant and County staff to address AC units in side yards as soon as possible.	Each PA

RANCH PLAN REGULATION COMPLIANCE MATRIX GUIDANCE DOCUMENT

Appendix C

PA 3.4 BUILDER "B" MAP REQUIREMENTS SORTED BY MILESTONE

Item No.	Cross Reference Column	Source	Condition, Mitigation, Public Benefit or Entitlement Provision	Timing	Subject	Keywords	Title	Requirements or Entitlement Provisions	Reviewing / Approving Authority (Advisory Agency in Parentheses)	Form of Compliance	Guidance for Compliance	Area Application
559.1		EIR 589	SC 4.8-3 (cont.)	Prior to the recordation of a subdivision map or prior to the issuance of grading permits	Sound Attenuation (cont.):		Sound Attenuation (cont.):	a. Prior to the recordation of a subdivision map or prior to the issuance of grading permits, as determined by the Manager, Building Permits Services, the applicant shall submit an acoustical analysis report to the Manager, Building Permits Services, for approval. The report shall describe in detail the exterior noise environment and preliminary mitigation measures. Acoustical design features to achieve interior noise standards may be included in the report in which case it may also satisfy Condition B below. (County Standard Condition N01)	See above	See above		Each PA
567		EIR 589	SC 4.10-2	Prior to the issuance of precise grading permits	Private Area Landscaping:		Private Area Landscaping:	a. Prior to the issuance of precise grading permits, the applicant shall prepare a detailed landscape plan for privately maintained common areas which shall be reviewed and approved by the Manager, Subdivision and Grading. The plan shall be certified by a licensed landscape architect or a licensed landscape contractor, as required, as taking into account the approved preliminary landscape plan (if any), County Standard Plans for landscape areas, adopted plant palette guides, applicable scenic and specific plan requirements, Water Conservation Measures contained in Board Resolution 90-487 (Water Conservation Measures), and Board Resolution 90-1341 (Water Conservation Implementation Plan). (County Standard Condition LA02b)	County of Orange Director of Planning & Development Services, Director, OC Planning	Approved detailed landscape plan for privately maintained common areas		Each PA
571	172-176 (MM 4.11-3)	EIR 589	SC 4.11-1	Prior to the issuance of any grading permits	Archaeology Grading Observation and Salvage:		Archaeology Grading Observation and Salvage:	Prior to the issuance of any grading permit, the applicant shall provide written evidence to the County of Orange Manager, Subdivision and Grading, that applicant has retained a County-certified archaeologist to observe grading activities and salvage and catalogue archaeological resources as necessary. The archaeologist shall be present at the pre-grade conference; shall establish procedures for archaeological resource surveillance; and shall establish, in cooperation with the applicant, procedures for temporarily halting or redirecting work to permit the sampling, identification, and evaluation of the artifacts as appropriate. If the archaeological resources are found to be significant, the archaeological observer shall determine appropriate actions, in cooperation with the project applicant, for exploration and/or salvage. (County Standard Condition A04)	County of Orange Manager, Harbors, Beaches & Parks, HBP/Coastal and Historical Facilities — OC Public Works/OC Planning*	Written evidence that a County-certified archaeologist has been retained to observe grading and salvage, and to catalogue archaeological resources	If prior to rough grade (GA permit) applicant has obtained archaeological clearance, no additional review or clearance required if precise grading (GB) permit is in compliance with GA permit.	Each PA

RANCH PLAN REGULATION COMPLIANCE MATRIX GUIDANCE DOCUMENT

Appendix C

PA 3.4 BUILDER "B" MAP REQUIREMENTS SORTED BY MILESTONE

Item No.	Cross Reference Column	Source	Condition, Mitigation, Public Benefit or Entitlement Provision	Timing	Subject	Keywords	Title	Requirements or Entitlement Provisions	Reviewing / Approving Authority (Advisory Agency in Parentheses)	Form of Compliance	Guidance for Compliance	Area Application
574		EIR 589	SC 4.11-2	Prior to the issuance of any grading permits	Paleontology Resource Surveillance:		Paleontology Resource Surveillance:	Prior to the issuance of any grading permit, the project contractor shall provide written evidence to the Manager, Subdivision and Grading, that contractor has retained a County certified paleontologist to observe grading activities and salvage and catalogue fossils as necessary. The paleontologist shall be present at the pre-grade conference, shall establish procedures for paleontological resources surveillance, and shall establish, in cooperation with the contractor, procedures for temporarily halting or redirecting work to permit sampling, identification, and evaluation of the fossils. If the paleontological resources are found to be significant, the paleontologist shall determine appropriate actions, in cooperation with the contractor, which ensure proper exploration and/or salvage. (County Standard Condition A07)	County of Orange Manager, Harbors, Beaches & Parks, HBP/Coastal and Historical Facilities OC Public Works/OC Planning*	Written evidence that a County-certified archaeologist has been retained to observe grading and salvage, and to catalogue fossils as necessary		Each PA
589		EIR 589	SC 4.14-2	Prior to issuance of a grading and/or building permit	Hazardous Materials:		Hazardous Materials:	Prior to the issuance of a grading or building permit, the contractor shall submit to the Fire Chief a list of all hazardous, flammable and combustible liquids, solids or gases to be stored, used or handled on site. These materials shall be classified according to the Uniform Fire Code and a document submitted to the Fire Chief with a summary sheet listing the totals for storage and use for each hazard class. (County Standard Condition FPC11A)	County of Orange Director of Planning & Development Services Director, OC Planning (OCFA)	Submittal of Hazardous Materials Assessment and Disclosure Statement		Each PA
616		Fire Prot. Prog.	Cond. 3.d.	Prior to the issuance of a GB precise grading permit	Precise Fuel Mod:		Precise Fuel Mod:	d) Prior to the issuance of a GB precise grading permit, the applicant shall provide the Manager, PDS Subdivision and Infrastructure Manager OC Planned Communities , with a clearance from OCFA indicating their review and approval of a Precise Fuel Modification Plan per RPFPP Section C.3.	Director, PDS Director, OC Planning	Provide the Manager, PDS Subdivision and Infrastructure Manager OC Planned Communities with a clearance from OCFA demonstrating approval of a Conceptual Fuel Modification Plan		

* In Coordination with Manager, Land Development

Item No.	Cross Reference Column	Source	Condition, Mitigation, Public Benefit or Entitlement Provision	Timing	Subject	Keywords	Title	Requirements or Entitlement Provisions	Reviewing / Approving Authority (Advisory Agency in Parentheses)	Form of Compliance	Guidance for Compliance	Area Application
COA# 2		PA3.3 Builer "B" Map COAs		Prior to the issuance of any grading or building permits	WQMP			Prior to the issuance of any grading or building permits, the applicant shall submit for review and approval by the Manager, Permit Services, a Water Quality Management Plan (WQMP) specifically identifying Best Management Practices (BMPs) that will be used onsite to control predictable pollutant runoff. The applicant shall utilize the Orange County Drainage Area Management Plan (DAMP), Model WQMP, and Technical Guidance Manual for reference, and the County's WQMP template for submittal.	County of Orange Manager, Building Inspection Services, Manager, OC Inspection Division			Each PA
COA# 2 (cont.)		PA3.3 Builer "B" Map COAs		See above	WQMP			<p>This WQMP shall include the following:</p> <ul style="list-style-type: none"> - Detailed site and project description - Potential stormwater pollutants - Post-development drainage characteristics - Low Impact Development (LID) BMP selection and analysis - Structural and Non-Structural source control BMPs - Site design and drainage plan (BMP Exhibit) - GIS coordinates for all LID and Treatment Control BMPs - Operation and Maintenance (O&M) Plan that (1) describes the long-term operation and maintenance requirements for BMPs identified in the BMP Exhibit; (2) identifies the entity that will be responsible for long-term operation and maintenance of the referenced BMPs; and (3) describes the mechanism for funding the long-term operation and maintenance of the referenced BMPs <p>The BMP Exhibit from the approved WQMP shall be included as a sheet in all plan sets submitted for plan check and all BMPs shall be depicted on these plans. Grading and building plans must be consistent with the approved BMP exhibit.</p>	County of Orange Manager, Building Inspection Services, Manager, OC Inspection Division			Each PA

Item No.	Cross Reference Column	Source	Condition, Mitigation, Public Benefit or Entitlement Provision	Timing	Subject	Keywords	Title	Requirements or Entitlement Provisions	Reviewing / Approving Authority (Advisory Agency in Parentheses)	Form of Compliance	Guidance for Compliance	Area Application
d. Prior to Precise Fuel Modification Plans												
138	137 and 139 (EIR 589, MM 4.9-27) 514 (ROSA Exhibit G)	EIR 589	MM 4.9-27 (cont.)	Prior to the approval of Precise Fuel Modification Plans	Biological Resources	California Exotic Pest Plant Council, OCFA Fuel Modification Plant List	Invasive Plants and Fuel Modification	a. Prior to issuance of fuel modification plan approvals, the County of Orange shall verify that: 1) plants identified by the California Exotic Pest Plant Council as an invasive risk in Southern California are not included in plans for fuel management zones adjacent to the RMV Open Space and. 2) the plant palette for fuel management zones adjacent to RMV Open Space is limited to those species listed on the Orange County Fire Authority Fuel Modification Plant List.	Director, PDS - Director, OC Planning (OCFA)	Verification of authorized plant materials	Signature of Landscape Architect on approved Precise Fuel Modification Plan certifying plant palette: (a) complies with current OCFA plant list, and (b) does not include plants listed on the current invasive species list.	Each PA
e. Prior to Issuance of Building Permit												
111	110 (MM 4.7-3)	EIR 589	MM 4.7-3 (cont.)	Prior to issuance of building permits	Air Quality	Light-colored roof materials	Use Light-Colored Roof Materials to Reflect Heat (Item Nos. 110-111)	Prior to issuance of building permits, the applicant shall identify how the use of light-colored roof materials and paint to reflect heat to the extent feasible has been incorporated into the design plans.	Director, PDS - Director, OC Planning	Issuance of Building Permit (Evidence of reflection of heat through home design)	Sustainability Issue	Each PA
140	141 (MM 4.9-28) 515 (ROSA Exhibit G)	EIR 589	MM 4.9-28	Prior to the issuance of Building permits on streets for tracts with public street lighting adjacent to RMV Open Space habitat areas	Biological Resources	Open Space habitat, light shields	Streetlight Shielding Adjacent to Open Space	Lighting shall be shielded or directed away from RMV Open Space habitat areas through the use of low-sodium or similar intensity lights, light shields, native shrubs, berms or other shielding methods.	Director, PDS - Director, OC Planning	Preparation of a lighting plan	Preparation of street improvement plans for public streets that detail how street lighting is to be directed away from RMV Open Space areas	Each Applicable PA
206		EIR 589	MM 4.15-5	Prior to issuance of residential building permits (excluding age-qualified units)	Public Services and Facilities	California Government Code Section 65995	CUSD Agreement	Prior to issuance of any residential building permit, excluding senior housing, the applicant shall enter into an agreement with CUSD regarding the development of future facilities and payment of costs. The agreement shall, at a minimum, provide for the payment of fees pursuant to California Government Code Section 65995. If fees are paid, the amount of fees to be paid will be determined based on the established State formula for determining construction costs. Applicable fees shall be paid prior to the issuance of each building permit.	Capistrano Unified School District (CUSD)	Negotiate and execute Mitigation Agreement regarding future school facilities and payment of costs		PC-Wide
526		EIR 589	SC 4.4-5	Prior to the issuance of building permits	Geology and Soils (cont.):		Geology and Soils (cont.):	The proposed development shall be designed in compliance with the Uniform Building Code (UBC), accepted industry standards, and the County's earthquake safety Municipal Code requirements.	County of Orange Director of Planning & Development Services, Director, OC Planning	Verification of design development compliance with the UBC and Municipal Code requirements		Each PA

Item No.	Cross Reference Column	Source	Condition, Mitigation, Public Benefit or Entitlement Provision	Timing	Subject	Keywords	Title	Requirements or Entitlement Provisions	Reviewing / Approving Authority (Advisory Agency in Parentheses)	Form of Compliance	Guidance for Compliance	Area Application
537		EIR 589	SC 4.5-8	Prior to the recordation of a Subdivision Map or the issuance of any Grading or Building Permit, whichever comes first	Water Quality Management Plan:		Water Quality Management Plan:	Prior to the recordation of any final subdivision map (except those maps for financing or conveyance purposes only) or the issuance of any grading or building permit (whichever comes first), the applicant shall submit for review and approval by the Manager, Inspection Services Division, a Water Quality Management Plan (WQMP) specifically identifying Best Management Practices (BMPs) that will be used onsite to control predictable pollutant runoff. This WQMP shall identify, at a minimum, the routine structural and non-structural measures specified in the current Drainage Area Management Plan (DAMP). The WQMP may include one or more of the following: (County Standard Condition WQ01)	County of Orange Director of Planning & Development Services, Director, OC Planning	Submittal of satisfactory Water Quality Management Plan		Each PA
537.1		EIR 589	SC 4.5-8 (cont.)	See above	Water Quality Management Plan (cont.):		Water Quality Management Plan (cont.):	<ul style="list-style-type: none"> • Discuss regional water quality and/or watershed programs (if available for the project); • Address Site Design BMPs (as applicable) such as minimizing impervious areas, maximizing permeability, minimizing directly connected impervious areas, creating reduced or "zero discharge" areas, and conserving natural areas; • Include the applicable Routine Source Control BMPs as defined in the DAMP. (County Standard Condition WQ01) 	See above	See above		Each PA
538		EIR 589	SC 4.5-8 (cont.)	See above	Water Quality Management Plan (cont.):		Water Quality Management Plan (cont.):	Demonstrate how surface runoff and subsurface drainage shall be managed and directed to the nearest acceptable drainage facility (as applicable), via sump pumps if necessary. (Standard Condition of Approval, WQ03)	See above	See above		Each PA
540		EIR 589	SC 4.5-10	Prior to the issuance of any Grading or Building Permits	Stormwater Pollution Prevention Plan.		Stormwater Pollution Prevention Plan.	Prior to the issuance of any grading or building permits, the applicant shall demonstrate compliance under California's General Permit for Stormwater Discharges Associated with Construction Activity by providing a copy of the Notice of Intent (NOI) submitted to the State Water Resources Control Board and a copy of the subsequent notification of the issuance of a Waste Discharge Identification (WDID) Number or other proof of filing in a manner meeting the satisfaction of the Manager, Building Permit Services. Projects subject to this requirement shall prepare and implement a Stormwater Pollution Prevention Plan (SWPPP). A copy of the current SWPPP shall be kept at the project site and be available for County review on request. (County Standard Condition WQ04)	County of Orange Manager of Building Inspection- Manager, OC Inspection Division (Regional Water Quality Control Board)	Provision of Notice of Intent and verification of a copy of the Storm Water Pollution Prevention Plan (SWPPP); at the project site		Each PA

RANCH PLAN REGULATION COMPLIANCE MATRIX GUIDANCE DOCUMENT

Appendix C

PA 3.4 BUILDER "B" MAP REQUIREMENTS SORTED BY MILESTONE

Item No.	Cross Reference Column	Source	Condition, Mitigation, Public Benefit or Entitlement Provision	Timing	Subject	Keywords	Title	Requirements or Entitlement Provisions	Reviewing / Approving Authority (Advisory Agency in Parentheses)	Form of Compliance	Guidance for Compliance	Area Application
541		EIR 589	SC 4.5-11	Prior to the issuance of any Grading or Building Permits	Erosion and Sediment Control Plan.		Erosion and Sediment Control Plan.	Prior to the issuance of any grading or building permit, the applicant shall submit a Erosion and Sediment Control Plan (ESCP) in a manner meeting approval of the Manager, Building Permit Services, to demonstrate compliance with local and state water quality regulations for grading and construction activities. The ESCP shall identify how all construction materials, wastes, grading or demolition debris, and stockpiles of soil, aggregates, soil amendments, etc. shall be properly covered, stored, and secured to prevent transport into local drainages or coastal waters by wind, rain, tracking, tidal erosion or dispersion. The ESCP shall also describe how the applicant will ensure that all BMPs will be maintained during construction of any future public right-of-ways. A copy of the current ESCP shall be kept at the project site and be available for County review on request. (County Standard Condition WQ05)	County of Orange Manager of Building Permits, Manager, Permit Services (Building Plan Check)	Submittal of satisfactory Erosion and Sediment Control Plan (ESCP); verification of copy of ESCP at project site		Each PA
547		EIR 589	SC 4.6-5	Prior to the issuance of Building Permits	Major Thoroughfare and Bridge Fee Programs:		Major Thoroughfare and Bridge Fee Programs:	Prior to the issuance of building permits, the applicant shall pay fees for the Major Thoroughfare and Bridge Fee Program for the Foothill/Eastern Transportation Corridor, in a manner meeting the approval of the Manager, Subdivision and Grading. (County Standard Condition T05)	County of Orange Director of Planning & Development Services, Director, OC Planning	Verification of payment of fees for the Major Thoroughfare and Bridge Fee Program		Each PA
550		EIR 589	SC 4.6-8	Prior to the recordation of a Subdivision Map or prior to the issuance of Building Permits, whichever occurs first	Internal Circulation:		Internal Circulation:	A. Prior to the recordation of a subdivision map or the issuance of any building permits, whichever occurs first, the subdivider shall provide plans and specifications meeting the approval of the Manager, Subdivision and Grading, for the design of the following improvements: (County Standard Condition T12)	County of Orange Director of Planning & Development Services,	Submittal of satisfactory street improvement plans		Each PA
550.1		EIR 589	SC 4.6-8 (cont.)	See above	Internal Circulation (cont.):		Internal Circulation (cont.):	1) Internal street common private drive system. (County Standard Condition T12)	See above	See above		Each PA
550.2		EIR 589	SC 4.6-8 (cont.)	See above	Internal Circulation (cont.):		Internal Circulation (cont.):	2) Entrance to the site to emphasize that the development is private by use of signs and other features. (Standard Condition of Approval T12)	See above	See above		Each PA

RANCH PLAN REGULATION COMPLIANCE MATRIX GUIDANCE DOCUMENT

Appendix C

PA 3.4 BUILDER "B" MAP REQUIREMENTS SORTED BY MILESTONE

Item No.	Cross Reference Column	Source	Condition, Mitigation, Public Benefit or Entitlement Provision	Timing	Subject	Keywords	Title	Requirements or Entitlement Provisions	Reviewing / Approving Authority (Advisory Agency in Parentheses)	Form of Compliance	Guidance for Compliance	Area Application
550.4		EIR 589	SC 4.6-8 (cont.)	Prior to the issuance of Building Permits	Internal Circulation (cont.):		Internal Circulation (cont.):	C. Prior to the issuance of any building permits, the subdivider shall provide plans meeting the approval of the Manager, Subdivision & Grading, for the design of the internal pedestrian circulation system within the development. (County Standard Condition T12)	County of Orange Director of Planning & Development Services, Director, OC Planning	Submittal of satisfactory internal pedestrians circulation plans		Each PA
559.2		EIR 589	SC 4.8-3 (cont.)	Prior to the issuance of any building permits for residential construction	Sound Attenuation (cont.):		Sound Attenuation (cont.):	b. Prior to the issuance of any building permits for residential construction, the applicant shall submit an acoustical analysis report describing the acoustical design features of the structures required to satisfy the exterior and interior noise standards to the Manager, Building Permits Services, for approval along with satisfactory evidence which indicates that the sound attenuation measures specified in the approved acoustical report have been incorporated into the design of the project. (County Standard Condition N01)	County of Orange Director of Planning & Development Services and County of Orange Manager of Building Permits Services, Director, OC Planning, and Manager, Permit Services (Building Plan Check)	Submittal of satisfactory acoustical analysis		Each PA
559.3		EIR 589	SC 4.8-3 (cont.)	See above	Sound Attenuation (cont.):		Sound Attenuation (cont.):	c. Prior to the issuance of any building permits, the applicant shall show all freestanding acoustical barriers on the project's plot plan illustrating height, location and construction in a manner meeting the approval of the Manager, Building Permits Services. (County Standard Condition N01)	See above	See above		Each PA
564		EIR 589	SC 4.10-1	Prior to the issuance of building permits	Public Area Landscaping:		Public Area Landscaping:	The applicant shall install landscaping, equip for irrigation, and improvements on lots in accordance with an approved plan as stated below: (County Standard Condition LA01b)	County of Orange Director of Planning & Development Services in consultation with Manager, HBP, Director, OC Planning	Approved landscaping plan and irrigation plan		Each PA

Item No.	Cross Reference Column	Source	Condition, Mitigation, Public Benefit or Entitlement Provision	Timing	Subject	Keywords	Title	Requirements or Entitlement Provisions	Reviewing / Approving Authority (Advisory Agency in Parentheses)	Form of Compliance	Guidance for Compliance	Area Application
564.1		EIR 589	SC 4.10-1 (cont.)	See above	Public Area Landscaping:		Public Area Landscaping:	a. Detailed Plan—Prior to the issuance of any building permit(s), the applicant shall submit a detailed landscape plan showing the detailed irrigation and landscaping design to the Manager, Subdivision and Grading for approval, in consultation with the Manager HBP/Program Management. Detailed plans shall show the detailed irrigation and landscaping design and shall take into account the previously approved landscape plan for the Ranch Plan project, the County Standard Plans for landscape areas, adopted plant palette guides, applicable scenic and specific plan requirements, Water Conservation Measures contained in Board Resolution 90-487 (Water Conservation Measures), and Board Resolution 90-1341 (Water Conservation Implementation Plan). (County Standard Condition LA01b)	See above	See above		Each PA
570		EIR 589	SC 4.10-3	Prior to the issuance of building permits	Light and Glare:		Light and Glare:	Prior to issuance of any building permit, the applicant shall demonstrate that all exterior lighting has been designed and located so that all direct rays are confined to the property in a manner meeting the approval of the Manager, Building Permit. (County Standard Condition LG01)	County of Orange Manager of Building Permits, Manager, Permit Services (Building Plan Check)	Approved lighting study/plan	Low voltage lighting: landscape architect is the designer can sign off on the lighting. High voltage lighting: electrical engineer stamp required.	Each PA
589		EIR 589	SC 4.14-2	Prior to issuance of a grading and/or building permit	Hazardous Materials:		Hazardous Materials:	Prior to the issuance of a grading or building permit, the contractor shall submit to the Fire Chief a list of all hazardous, flammable and combustible liquids, solids or gases to be stored, used or handled on site. These materials shall be classified according to the Uniform Fire Code and a document submitted to the Fire Chief with a summary sheet listing the totals for storage and use for each hazard class. (County Standard Condition FPC11A)	County of Orange Director of Planning & Development Services, Director, OC Planning (OCFA)	Submission of Hazardous Materials Assessment and Disclosure Statement		Each PA

Item No.	Cross Reference Column	Source	Condition, Mitigation, Public Benefit or Entitlement Provision	Timing	Subject	Keywords	Title	Requirements or Entitlement Provisions	Reviewing / Approving Authority (Advisory Agency in Parentheses)	Form of Compliance	Guidance for Compliance	Area Application
617		Fire Prot. Prog.	Cond. 3.e.	Prior to the issuance of a building permit for construction phases of Vesting Tentative Tract Maps adjoining fuel modification areas, and prior to the County of Orange allowing fuel tanks, generators and/or Lumber Drops	Vegetation Clearance:		Vegetation Clearance:	e) Prior to the issuance of a building permit for construction phases of Vesting Tentative Tract Maps adjoining fuel modification areas, and prior to the County of Orange allowing fuel tanks, generators and/or Lumber Drops (see Section E, Definitions) within the project site, the applicant shall provide the Manager, Building & Safety, with a clearance from OCFA indicating that vegetation has been cleared and maintained at a height of 8 inches or less, or that the appropriate fuel modification thinning and removal of plants from the OCFA Undesirable Plant List has been implemented.	Director, PDS, Director, OC Planning	Provide the Manager, Building & Safety, with a clearance from OCFA indicating that vegetation has been cleared and maintained		
COA# 3		PA3.3 Builer "B" Map COAs	Cond. #3	Prior to the issuance of a building permit			BEST MANAGEMENT PRACTICES	Prior to issuance of a building permit, the off-site regional Best Management Practices (BMPs) relied upon by this project (e.g., basins, swales, etc.) must be built and/or installed, and operational. The location and operation of these regional BMPs must be in compliance with the Final Project-Specific WQMP for the regional BMP(s). The location and operation of the regional BMP(s) must be demonstrated to the satisfaction of the Manager, Grading and Building Plan Check.	Director, PDS, Manager, Permit Services (Building Plan Check)			
COA# 6		PA3.3 Builer "B" Map COAs	Cond. #6	Prior to the issuance of a building permit			BUYER NOTIFICATION MAP	Prior to the issuance of any building permits for residential construction, the developer RMV Community Development, LLC, shall prepare a map denoting the existing and proposed land uses, arterial highways, and public facilities within the surrounding area for the approval of the Manager, OC Planning. The map content, display, and distribution shall be in accordance with the Buyer Notification Program guidelines listed in Board of Supervisors Resolution 82-1368 and as amended.	Director, PDS, Director, OC Planning			

Item No.	Cross Reference Column	Source	Condition, Mitigation, Public Benefit or Entitlement Provision	Timing	Subject	Keywords	Title	Requirements or Entitlement Provisions	Reviewing / Approving Authority (Advisory Agency in Parentheses)	Form of Compliance	Guidance for Compliance	Area Application
f. Prior to Combustible Construction												
609			Cond. 2.d.	Prior to initiation of combustible construction	A Map Fire Master Plan (cont.):		A Map Fire Master Plan (cont.):	d) Prior to initiation of combustible construction the following fire master plan improvements shall be verified by site inspection: • Emergency access • Water Supply	Director, PDS, Director, OC Planning	Site inspection		
g. During Construction												
197	196 (EIR 589, MM 4.14-13)	EIR 589	MM 4.14-13 (cont.)	During construction	Hazards and Hazardous Materials	Remedial measures	ESA Remedial Measures	If soil is encountered during site development that is suspected of being impacted by hazardous materials, work will be halted and site conditions will be evaluated by a qualified environmental professional. If requested by the qualified environmental professional, the results of the evaluation will be submitted to OCHCA and/or RWQCB, and the appropriate remedial measures will be implemented, as directed by OCHCA, RWQCB, or other applicable oversight agency, until all specified requirements of the oversight agencies are satisfied and a no-further-action status is attained.	Director, PDS, Director, OC Planning (Orange County Health Care Agency)	Stop work upon encountering condition; prepare evaluation and submit to OCHCA and/or RWQCB (as directed)		Each PA
h. Prior to Issuance of Certificates of Occupancy												
529		EIR 589	SC 4.5-2 (cont.)	Prior to recordation of a Subdivision Map or Issuance of a Certificate of Use and Occupancy, whichever comes first	Drainage Improvements (cont.):		Drainage Improvements (cont.):	B. Prior to the recordation of a subdivision map (except maps for financing and conveyance purposes only) or prior to the issuance of any certificates of use and occupancy, whichever occurs first, said improvements shall be constructed in a manner meeting the approval of the Manager, Construction. (County Standard Condition D02a)	County of Orange Manager of Inspection, Manager, OC Inspection Division	Verification of construction of drainage improvement		Each PA
531		EIR 589	SC 4.5-3 (cont.)	Prior to the issuance of Certificates of Use and Occupancy	Drainage Improvements (cont.):		Drainage Improvements (cont.):	B. Prior to the issuance of any certificates of use and occupancy, said improvements shall be constructed in a manner meeting the approval of the Manager, Construction. (County Standard Condition D02b)	County of Orange Manager of Inspection, Manager, OC Inspection Division	Verification of installation of drainage improvement		Each PA

Item No.	Cross Reference Column	Source	Condition, Mitigation, Public Benefit or Entitlement Provision	Timing	Subject	Keywords	Title	Requirements or Entitlement Provisions	Reviewing / Approving Authority (Advisory Agency in Parentheses)	Form of Compliance	Guidance for Compliance	Area Application
539		EIR 589	SC 4.5-9	Prior to the issuance of a Certificate of Use and Occupancy	Compliance with the WQMP:		Compliance with the WQMP:	Prior to the issuance of a certificate of use and occupancy, the applicant shall demonstrate compliance with the WQMP in a manner meeting the satisfaction of the Manager, Inspection Services Division, including: <ul style="list-style-type: none"> • Demonstrate that all structural Best Management Practices (BMPs) described in the project's WQMP have been implemented, constructed and installed in conformance with approved plans and specifications; • Demonstrate that the applicant has complied with all non-structural BMPs described in the project's WQMP; • Submit for review and approval an Operations and Maintenance (O&M) Plan for all structural BMPs for attachment to the WQMP; 	County of Orange Manager of Building Inspection, Manager, OC Inspection Division	Verification of compliance with Water Quality Management Plan		Each PA
539.1		EIR 589	SC 4.5-9 (cont.)	See above	Water Quality Management Plan (cont.):		Water Quality Management Plan (cont.):	<ul style="list-style-type: none"> • Demonstrate that copies of the project's approved WQMP (with attached O&M Plan) are available for each of the incoming occupants; • Agree to pay for a Special Investigation from the County of Orange for a date (12) twelve months after the issuance of a Certificate of Use and Occupancy for the project to verify compliance with the approved WQMP and O&M Plan; and (County Standard Condition WQ03) 	See above	See above		Each PA
539.2		EIR 589	SC 4.5-9 (cont.)	See above	Water Quality Management Plan (cont.):		Water Quality Management Plan (cont.):	<ul style="list-style-type: none"> • Demonstrate that the applicant has agreed to and recorded one of the following: 1) the CC&R's (that must include the approved WQMP and O&M Plan) for the project Home Owner's Association; 2) a water quality implementation agreement that has the approved WQMP and O&M Plan attached; or 3) the final approved Water Quality Management Plan (WQMP) and Operations and Maintenance (O&M) Plan. (County Standard Condition WQ03) 	See above	See above		Each PA

RANCH PLAN REGULATION COMPLIANCE MATRIX GUIDANCE DOCUMENT

Appendix C

PA 3.4 BUILDER "B" MAP REQUIREMENTS SORTED BY MILESTONE

Item No.	Cross Reference Column	Source	Condition, Mitigation, Public Benefit or Entitlement Provision	Timing	Subject	Keywords	Title	Requirements or Entitlement Provisions	Reviewing / Approving Authority (Advisory Agency in Parentheses)	Form of Compliance	Guidance for Compliance	Area Application
560		EIR 589	SC 4.8-4	Prior to the issuance of certificates of use and occupancy	Multi-Family Residential Development:		Multi-Family Residential Development:	Prior to the issuance of any certificates of use and occupancy, the applicant shall perform field testing in accordance with Title 24 Regulations to verify compliance with FSTC and FIIC standards if determined necessary by the Manager, Building Inspection Services. In the event such a test was previously performed, the applicant shall provide satisfactory evidence and a copy of the report to the Manager, Building Inspection Services, as a supplement to the previously required acoustical analysis report. (County Standard Condition N09)	County of Orange Manager of Building Inspection Services, Manager, OC Inspection Division	Verification of field testing in accordance with Title 24 Regulations to verify compliance with FSTC and FIIC standards or a copy of a previous test		Each PA
563		EIR 589	SC 4.8-7	Prior to the issuance of certificates of use and occupancy	Transportation Corridor Notification:		Transportation Corridor Notification:	Prior to the issuance of certificates of use and occupancy, the developer shall produce evidence to the Manager, Building Inspection Services, that the Department of Real Estate has been notified that the project area is adjacent to a regional transportation corridor. The corridor is expected to be a high capacity, high-speed, limited-access facility for motor vehicles, and will have provisions for bus lanes and other mass transit type facilities. (County Standard Condition N12)	County of Orange Manager of Building Inspection Services, Manager, OC Inspection Division	Submission of evidence that County of Orange Dept. of Real Estate has been notified the project area is adjacent to a regional transportation corridor		Each PA
565		EIR 589	SC 4.10-1 (cont.)	Prior to the issuance of final certificates of use and occupancy and the release of financial security	Public Area Landscaping (cont.):		Public Area Landscaping (cont.):	b. Installation Certification: Prior to the issuance of final certificates of use and occupancy and the release of financial security, if any, guaranteeing the landscape improvements, said improvements shall be installed and shall be certified by a licensed landscape architect or licensed landscape contractor, as having been installed in accordance with the approved detailed plans. (County Standard Condition LA01b)	County of Orange Director of Planning & Development Services & Manager-HBR, Director, OC Planning	Landscaping and irrigation plan certification from landscape architect		Each PA
566		EIR 589	SC 4.10-1 (cont.)	Prior to the issuance of final certificates of use and occupancy and the release of financial security	Public Area Landscaping (cont.):		Public Area Landscaping (cont.):	b. Installation Certification (cont): The applicant shall furnish said certification, including an irrigation management report for each landscape irrigation system, and any other required implementation report determined applicable, to the Manager, Construction, and the Manager, Building Inspection Services, prior to the issuance of any certificates of use and occupancy. (County Standard Condition LA01b)	County of Orange Manager, Construction and Manager, Building Inspection Services, Manager, OC Inspection Division	Approved irrigation management report		Each PA

Item No.	Cross Reference Column	Source	Condition, Mitigation, Public Benefit or Entitlement Provision	Timing	Subject	Keywords	Title	Requirements or Entitlement Provisions	Reviewing / Approving Authority (Advisory Agency in Parentheses)	Form of Compliance	Guidance for Compliance	Area Application
568		EIR 589	SC 4.10-2 (cont.)	Prior to the issuance of certificates of use and occupancy	Private Area Landscaping (cont.):		Private Area Landscaping (cont.):	b. Prior to the issuance of certificates of use and occupancy, applicant shall install said landscaping and irrigation system and shall have a licensed landscape architect or licensed landscape contractor, certify that it was installed in accordance with the approved plan. (County Standard Condition LA02b)	County of Orange Director of Planning & Development Services, Director, OC Planning	Certification from landscape architect that landscaping and irrigation system in accordance with the approved plan		Each PA
569		EIR 589	SC 4.10-2 (cont.)	Prior to the issuance of certificates of use and occupancy	Private Area Landscaping (cont.):		Private Area Landscaping (cont.):	c. Prior to the issuance of any certificates of use and occupancy, the applicant shall furnish said installation certification, including an irrigation management report for each landscape irrigation system, and any other implementation report determined applicable, to the Manager, Building Inspection Services. (County Standard Condition LA02b)	County of Orange Manager, Building Inspection Services, Manager, OC Inspection Division	Approved irrigation management report for each landscape irrigation system		Each PA
618		Fire Prot. Prog.	Cond. 3.f.	Prior to the issuance of any certificate of use and occupancy adjoining fuel modification areas	Occupancy Requirements:		Occupancy Requirements:	f) Prior to the issuance of any certificate of use and occupancy, the applicant shall provide the Manager, Building & Safety, with a clearance from OCFA indicating that: 1. Approved "A" Zone planting has been installed and approved irrigation has been activated. 2. Approved fuel modification zone markers have been installed. 3. Accessways every 500 feet (or as approved) have been installed. 4. Approved thinning of the "B" and "C" Zones and removal of plants from the OCFA Undesirable Plant List have been completed. 5. CC&Rs or other approved documents contain provisions for maintaining the fuel modification zones.	Director, PDS, Director, OC Planning	Provide the Manager, Building & Safety, with a clearance from OCFA indicating installation and thinning		

Item No.	Cross Reference Column	Source	Condition, Mitigation, Public Benefit or Entitlement Provision	Timing	Subject	Keywords	Title	Requirements or Entitlement Provisions	Reviewing / Approving Authority (Advisory Agency in Parentheses)	Form of Compliance	Guidance for Compliance	Area Application
i. Prior to Release of Grading Bond												
572		EIR 589	SC 4.11-1 (cont.)	Prior to the release of the grading bond	Archaeology Grading Observation and Salvage (cont.):		Archaeology Grading Observation and Salvage (cont.):	Prior to the release of the grading bond, the applicant shall obtain approval of the archaeologist's follow-up report from the Manager, Harbors, Beaches & Parks HBP/Coastal and Historical Facilities. The report shall include the period of inspection, an analysis of any artifacts found and the present repository of the artifacts. Applicant shall prepare excavated material to the point of identification. Applicant shall offer excavated finds for curatorial purposes to the County of Orange, or its designee, on a first refusal basis. (County Standard Condition A04)	County of Orange Manager, Harbors, Beaches & Parks HBP/Coastal and Historical Facilities OC Public Works/OC Planning*	Approval of the archaeologist's follow-up report		Each PA
573		EIR 589	SC 4.11-1 (cont.)	Prior to the release of the grading bond	Archaeology Grading Observation and Salvage (cont.):		Archaeology Grading Observation and Salvage (cont.):	These actions, as well as final mitigation and disposition of the resources shall be subject to the approval of the Manager, HBP/Coastal and Historical Facilities. Applicant shall pay curatorial fees if an applicable fee program has been adopted by the Board of Supervisor, and such fee program is in effect at the time of presentation of the materials to the County of Orange or its designee, all in a manner meeting the approval of the Manager, HBP/Coastal and Historical Facilities. (County Standard Condition A04)	County of Orange Manager, Harbors, Beaches & Parks HBP/Coastal and Historical Facilities OC Public Works/OC Planning*	Verification of payment of curatorial fee if an applicable fee program has been adopted by the Board of Supervisor at the time of presentation		Each PA
575		EIR 589	SC 4.11-2 (cont.)	Prior to the release of the grading bond	Paleontology Resource Surveillance (cont.):		Paleontology Resource Surveillance (cont.):	Prior to the release of any grading bond, the contractor shall submit the paleontologist's follow up report for approval by the County Manager, HBP/Coastal and Historical Facilities. The report shall include the period of inspection, a catalogue and analysis of the fossils found, and the present repository of the fossils. The contractor shall prepare excavated material to the point of identification. The contractor shall offer excavated finds for curatorial purposes to the County of Orange, or its designee, on a first-refusal basis. (County Standard Condition A07)	County of Orange Manager, Harbors, Beaches & Parks HBP/Coastal and Historical Facilities OC Public Works/OC Planning*	Approval of the paleontologist's follow-up report		Each PA

Item No.	Cross Reference Column	Source	Condition, Mitigation, Public Benefit or Entitlement Provision	Timing	Subject	Keywords	Title	Requirements or Entitlement Provisions	Reviewing / Approving Authority (Advisory Agency in Parentheses)	Form of Compliance	Guidance for Compliance	Area Application
576		EIR 589	SC 4.11-2 (cont.)	Prior to the release of the grading bond	Paleontology Resource Surveillance (cont.):		Paleontology Resource Surveillance (cont.):	These actions, as well as final mitigation and disposition of the resources, shall be subject to approval by the HBP/Coastal and Historical Facilities. The contractor shall pay curatorial fees if an applicable fee program has been adopted by the Board of Supervisors, and such fee program is in effect at the time of presentation of the materials to the County of Orange or its designee, all in a manner meeting the approval of the County Manager, HBP/Coastal and Historical Facilities. (County Standard Condition A07)	County of Orange Manager, Harbors, Beaches & Parks HBP/Coastal and Historical Facilities OC Public Works/OC Planning*	Verification of payment of curatorial fee if an applicable fee program has been adopted by the Board of Supervisor at the time of presentation		Each PA

ATTACHMENT 1



RANCHO MISSION VIEJO

February 15, 2024, updated March 20, 2024

Bea Bea Jiménez
Division Manager
Land Development
OC Public Works
601 North Ross Street
Santa Ana, CA 92701

SUBJECT:

Application for “B” Vesting Tentative Tract Map 19305 within Rancho Mission Viejo (Ranch Plan) Planning Area 3, Subarea 3.3 for the AQ12 Lennar project

Dear Ms. Jiménez,

PROPOSAL:

Rancho Mission Viejo requests Subdivision Committee approval of Vesting Tentative Tract Map 19305 within Rancho Mission Viejo (Ranch Plan) Planning Area 3, Subarea 3.4 for the AQ12 project to allow 52 Planned Concept Duplex Dwellings on 29 numbered residential lots and 12 lettered lots for landscaped open space and private motor court purposes.

ZONING:

Ranch Plan Planned Community (PC) – Subarea Plan 3.4 **Planned Concept**

LOCATION:

The AQ12 project site is located within the Ranch Plan Planned Community - Planning Area 3 (PA3), Subarea 3.4 and Vesting Tentative Tract Map 17934, Lots 1-7 and Lot L in unincorporated Orange County, California.

LANDOWNER/SUBDIVIDER:

The specific land ownership entity for the proposed project site is RMV PA3 Development LLC (referred to as Rancho Mission Viejo, or “RMV”). The site will eventually be owned by, and homes built by **Lennar**.

BACKGROUND AND EXISTING CONDITIONS:

In November 2004, the County of Orange approved the Ranch Plan Planned Community, which encompasses approximately 22,815 acres located east of I-5, north and south of Ortega Highway, within the Fifth Supervisorial District. As approved, the Ranch Plan Planned Community encompasses 75 percent permanent open space, with development of 14,000 dwelling units and 5,200,000 square feet (SF) of non-residential uses allowed within the remaining 25 percent. It is regulated by the Ranch Plan PC Program Text which addresses the unique characteristics of the property and a development plan for the transition to suburban/urban uses occurring over a 25- to 30-year period.

The Master Area Plan and Subarea Plans for Planning Area 3 were approved on October 27, 2022 including Subarea Plan 3.3 (PA22-0067). VTTM 17933 for Subarea Plan 3.3 and VTTM 17934 for Subarea Plan 3.4 were approved by the OC Subdivision Committee on December 6, 2023. Grading for Subareas 3.3 and 3.4 are currently in progress under GRD22-0136 and GRD23-0059.

PROPOSED PROJECT:

The applicant (RMV) requests approval of Vesting Tentative Tract Map 19305 to allow 52 Planned Concept Duplex Dwellings on 29 numbered residential lots and 12 lettered lots for landscaped open space and private motor court purposes, all within the proposed 5.96-acre project site. Subsequent construction level building permit applications will be submitted by Lennar. The project will also include street and infrastructure improvements, landscaping, and minor precise grading. A Site Development Permit will also be submitted for the planned concept dwellings along with model home complex.

The 29 numbered lots range in size from 3,401 square feet up to 9,124square feet. The site has a net residential acreage of 4.65 acres (excluding streets, motorcourts, alleys and HOA slopes) for a net residential density of 11.18 dwelling units per acre.

SURROUNDING LAND USE:

Land uses immediately surrounding the project site include the following:

- Westerly: Subarea 3.5a – future residential
- Southerly: Subarea 3.4 – future recreation
- Easterly: Subarea 3.4 - future residential
- Northerly: Subarea 3.11 – future **open space / slope area**

REFERRAL FOR COMMENT AND PUBLIC NOTICE:

The applicant understands that the tentative map application submittal will be distributed for review and comment to County staff and consultants, including Land Development, OC Infrastructure Programs, Inspection Services, Building & Safety, OC Survey, and Orange County Fire Authority. We also understand that the VTTM must be approved by the OC Subdivision Committee at a Public Meeting with a public notice mailed to all property owners of record within 300 feet of the subject, and posted at the site, at the Orange County Hall of Administration, and at 601 N. Ross Street, as required by established public meeting posting procedures.

CONSISTENCY ANALYSIS:

The proposed SDP and VTTM are consistent with the Ranch Plan PC Program Text Use Regulations & Development Standards (PC Program Text, Section III), as described below:

- a. General Plan – The OC General Plan Land Use Element designates Subarea 3.4 of Ranch Plan as “1B, Suburban Residential (0.5 to 18 du/ac)”, per GPA 01-01. The proposed SDP and VTTM are consistent with the 1B “Suburban Residential designation.
- b. Zoning – The proposed SDP and VTTM are consistent with the Ranch Plan Planned Community zoning, including all applicable requirements of the PC Program Text Use Regulations & Development Standards (PC Section III).
- c. State Subdivision Map Act and County of Orange Subdivision Code and Manual – In Compliance.

- d. Area Plans – The proposed SDP and VTTM are consistent with land uses and other details of PA3&4 Master Area Plan and Subarea Plan 3.4 (PA22-0067)
- e. CEQA – The proposed SDP and VTTM are consistent with Final EIR 589, previously certified on November 8, 2004; Addendum 1.0 (PA060023) approved July 26, 2006; Addendum 1.1 (PA110003-06) approved February 24, 2011; the Planning Area 2 Addendum (PA130001-06) approved March 27, 2013; and Addendum 3.1 (PA140072-81) approved February 25, 2015.
- f. Alternative Development Standards – All Alternative Development Standards incorporated into this project have been previously approved by the appropriate decision maker per the Ranch Plan Planned Community Program Text, General Regulation 25.
- g. Regulation Compliance Matrix – Clearance of all applicable conditions of approval have been confirmed per the Ranch Plan Regulation Compliance Matrix.

Estimated Earthwork

The proposed estimated grading quantities for this map are substantially consistent with or less than the earthwork quantities described under previous approvals (i.e. Master Area Plan (PA3&4), Subarea Plan 3.3, VTTM 17933, VTTM 17934, and Subarea 3.4 Rough Grading Permit GRD23-0059 currently in process. The proposed grading on this map has been addressed per CEQA document FEIR 589, together with Addendum 3.1 (PA140072-81) approved February 25, 2015.

Drainage:

The subject property is in the Ranch Plan Planned Community Runoff Management Plan Area. No Master Plan of Drainage (MPD) facilities have been identified or approved within the site and no MPD fees are required.

Recreation and Open Space:

The proposed map is not required to provide any improvements or dedications associated with the County Master Plan of Regional Recreation Facilities; Master Plan of Regional Riding and Hiking Trails; Resources Element (Open Space Component); or OCTA Strategic Plan for Bikeways.

- Master Plan of Regional Recreation Facilities - There are no regional park dedication requirements of the subject map.
- Master Plan of Regional Riding and Hiking Trails - There are no riding and hiking trail requirements of the subject map.
- Master Plan of Local Parks (Local Park Code) - The proposed map is required to provide park land in accordance with the Master Plan of Local Parks (Local Park Code). The Local Park Code requirement for the subject map VTTM 19305 is 0.312 net usable acres of park land based upon a proposal to build 52 dwelling units at a gross residential density of 8.72du/ac (52 du x .006 ac/du). Said requirement can be satisfied by an allocation of parkland credit from Park Modification PM07-01, the Local Park Implementation Plan (LPIP) for the Ranch Plan P.C. originally approved March 14, 2007, 1st Amendment approved in June 2012, 2nd Amendment approved on July 16, 2014, 3rd Amendment approved November 7, 2019, and 4th Amendment approved December 6, 2023. Per the Ranch Plan LPIP, the total parkland acreage requirement for the entire Ranch Plan Planned Community is 94.0 acres, based on 14,000 approved dwelling units and the anticipated proportion of single-family and multi-family units. The Ranch Plan LPIP (PM07-01) indicates that far more acres of total community-wide parkland will be implemented in Planning Area 3&4 than would be required per County standards, based on the 7,500 dwelling units entitled by the PA3&4 Master Area Plan PA180030, per the

parkland generation factor for each unit (greater than 6.5 du/ac requires 0.006 acres and less than 6.5 du/ac requires 0.008 acres).

- Resources Element - Open Space Component - There are no open space dedication requirements of the subject map.
- OCTA Strategic Plan for Bikeways - There are no County-wide bikeways identified within the area of this map.

Public Services & Utilities

- Schools - This property is within the boundaries of the Capistrano Unified School District. The developer is subject to the provisions of Assembly Bill AB 2926, or other mitigating measures designed to provide for school facilities and/or funding, such as community facilities districts. No school site is proposed for Subarea 3.4.
- Facilities Fees Programs - This project area is included within the Ranch Plan Planned Community Development Facility Agreement area which phases development commensurate with public services and facilities.
- Water/Sewer - This project is within the boundaries of the Santa Margarita Water District. The District stated in their "will-serve" letter dated 05/24/2024, that the District will be capable of providing water and sewage disposal service to this development.
- Water Quality Control - This project will be required to operate in accordance with requirements prescribed by the California Regional Water Quality Control Board, San Diego Region.
- Fire Protection and Safety - Existing and proposed fire protection services will be providing an adequate level of fire protection services to this development, per the TT19305 Fire Master Plan approved by OCFA 4/8/2024. Additionally, this property is within the area covered by the approved Ranch Plan Fire Protection Program, which includes all applicable conditions of approval and regulations.
- County Service Area (CSA) - This property is within the boundaries of County Service Area No. 26.

Traffic/Circulation

- Scenic Highway Corridors - There are no Scenic Highways applicable to this map
- Access/Highways/Streets/Roads - Access to the site is Lamkin Lane. Internal tract access will be provided by internal private alleys and motor courts.
- Major Thoroughfare and Bridge Fee Program - This project lies within the area of benefit of the Foothill/Eastern Transportation Corridor. The developer is required to pay Foothill/Eastern Major Thoroughfare and Bridge fees in accordance with the adopted program.
- Off-Site Fee Program – The project lies within the area of benefit of the South County Roadway Improvement Road Fee Program (SCRIP). The developer is required to pay SCRIP fees in accordance with the adopted program.

Multiple Final Map Phasing

As indicated by Note 19 on this TT19305, the option of multiple final maps phasing has been requested as part of the approval of this Vesting Tentative Tract Map.

DEVIATIONS FROM STANDARDS OF DESIGN:

The developer may request deviations from County standard design criteria in accordance with Subdivision Code section 7-9-291. In the absence of any specifically approved deviation

request, the County-approved standard design criteria will prevail. No deviations are requested with this map.

ALTERNATIVE DEVELOPMENT STANDARDS:

As indicated by Note 30 on this TT19305, as allowed by General Regulation #25 of the Ranch Plan Planned Community Program Text, proposed Alternative Development Standards are intended to be incorporated into the development.

Upon review of this application our hope is that staff supports OC Subdivision Committee approval of the "B" tentative tract map. Please contact me with any questions, or if you or your staff need any further information.

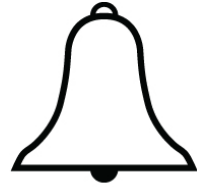
Sincerely,

Richard Vuong
Project Director, Planning and Entitlement
Rancho Mission Viejo

ATTACHMENT 2

BOARD OF DIRECTORS

LAURA FREESE
CHARLES T. GIBSON
SAUNDRA F. JACOBS
BETTY H. OLSON, PH.D
FRANK URY



DON BUNTS
INTERIM GENERAL MANAGER

Santa Margarita Water District

May 24, 2024

County of Orange
OC Public Works
OC Development Services
601 N. Ross Street
Santa Ana, California 92703

Subject: Preliminary Water and Sewer Letter for RMV Community Development, LLC, VTTM 19305, Rancho Mission Viejo, in Improvement District No. 5

Greetings:

This letter is in response to a request by Lennar Homes (Developer) for a preliminary water and sewer letter for the subject tract.

The Santa Margarita Water District (District) supplies all of its current customers with domestic water purchased from the Metropolitan Water District of Southern California (Metropolitan) through the Municipal Water District of Orange County (MWDOC), which acts as a wholesaler to its member agencies. It is anticipated the subject tract would also be supplied with available domestic water purchased from Metropolitan through MWDOC. Supplemental water for this development, if required, will be provided per the approved The Ranch Plan Planning Area 3 and 4 Water Supply Verification, dated October 2017. Subject to the Developer's successful completion of the in-tract water and recycled water and the District's construction of the off-site water and recycled water facilities, the District can and will provide domestic and recycled water service to each and every building parcel in the subject tract without exception.

Furthermore, and subject to the Developer's successful completion of the in-tract sewer facilities and the District's construction of off-site sewer facilities, the District can and will provide sewer service to each and every building lot within the subject tract without exception.

At this time, the Developer has not provided surety to guarantee the construction of the in-tract water, recycled water and sewer facilities. A final will-serve will be issued upon your request when (1) the Developer has guaranteed the construction of the in-tract facilities and (2) construction of the District's water and sewer facilities is assured.

Should you have any questions or desire additional information, please call Karla Houlihan at (949) 459-6581.

Sincerely,
SANTA MARGARITA WATER DISTRICT

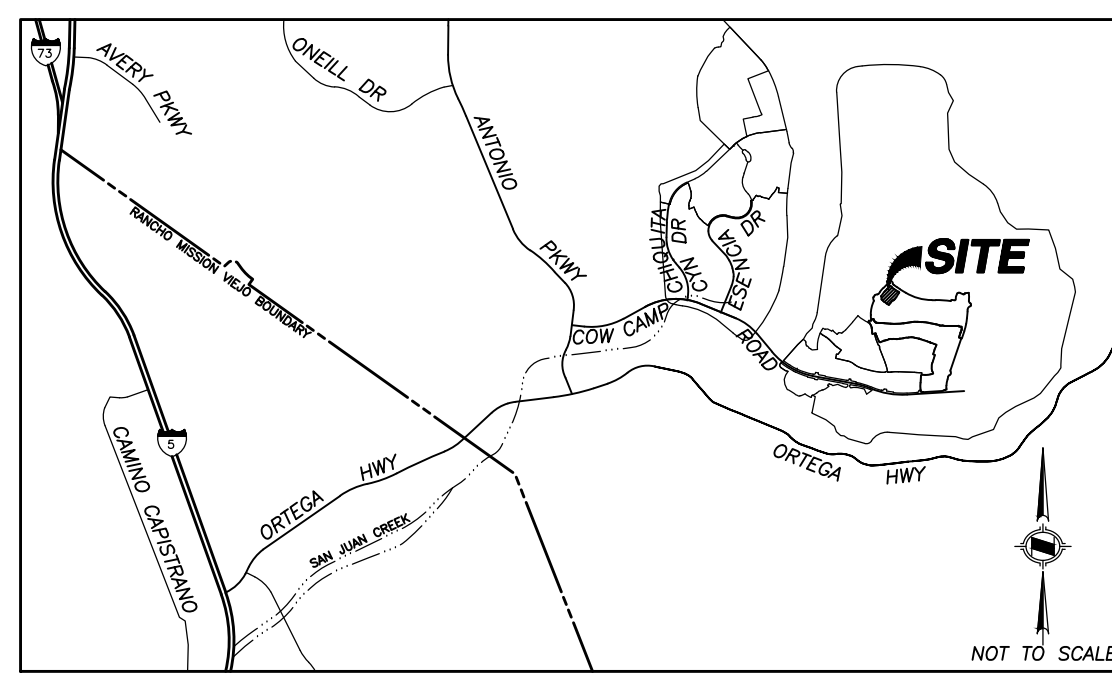
Patricia Butler

Patricia A Butler
Chief Engineer

S:\ENGINEERING\PRELIMINARY WILL SERVE\2024\Will Serve VTTM 19305.doc

ATTACHMENT 3

VICINITY MAP

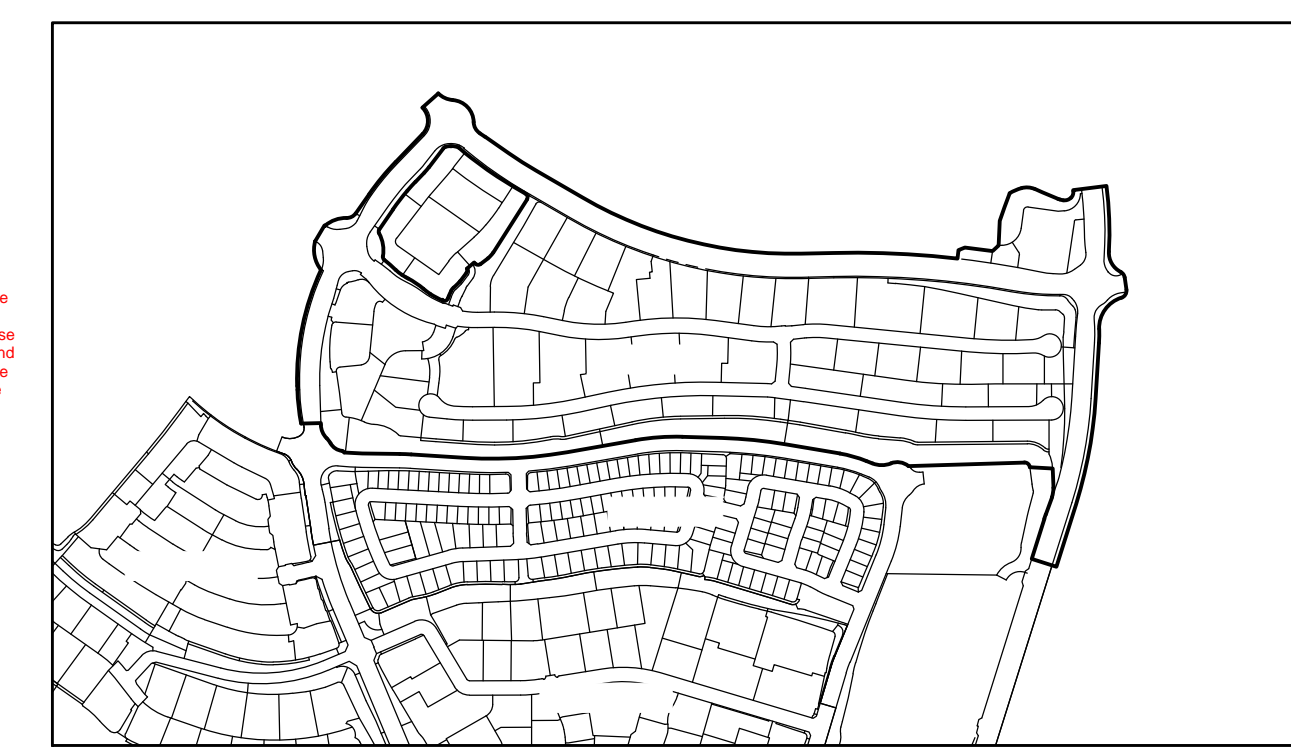


VESTING TENTATIVE TRACT MAP 19305 GAVILAN RIDGE AQ12

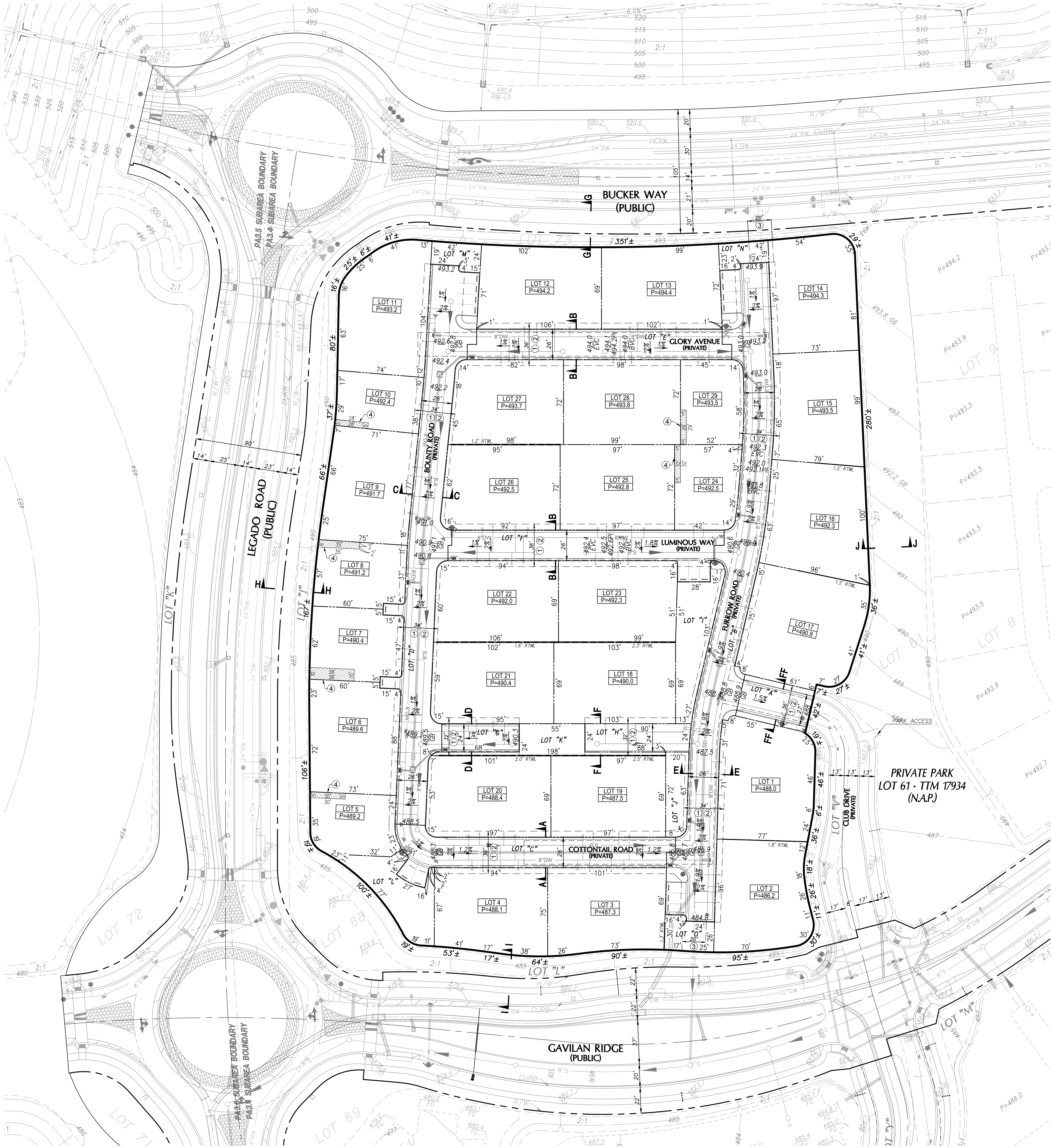
FOR CONDOMINIUM PURPOSES LEGAL DESCRIPTION

LOTS 1 THROUGH 7 IN THE UNINCORPORATED TERRITORY OF THE COUNTY OF ORANGE, STATE OF CALIFORNIA, AS SHOWN ON "A" TRACT 17934

REVIEWED FOR CODE COMPLIANCE... BUREAU VERITAS NORTH AMERICA, INC. DATE: 7/12/2024



LOCATION MAP



LEGEND

- PROJECT BOUNDARY, PROPOSED LOT LINE, PROPOSED CONTOUR LINE, RIGHT OF WAY, TOP OF SLOPE, TOE OF SLOPE, DAYLIGHT LINE, PROPOSED EASEMENT, PROPOSED RETAINING WALL, EXISTING CONTOUR, SUB AREA BOUNDARY, STORM DRAIN, WATER, SEWER, PROPOSED FIRE HYDRANT, LOT NUMBER, PAD ELEVATION, NON-BUILDABLE EASEMENT, SANITARY SEWER MANHOLE, DOMESTIC WATER VALVES/THRUSTBLOCKS, AIR VAC, BLOW OFF VALVE, DEAD END MAIN WITH BLOW OFF VALVE, FIRE HYDRANT ASSEMBLY, WATER METER, CATCH BASIN (ADS G-10), STORM DRAIN CATCH BASIN, STORM DRAIN JUNCTION STRUCTURE/MANHOLE

NOTES

- 1. EXISTING LAND USE: VACANT LAND, PREVIOUSLY MASS GRADED PER GRD23-0016 & ROUGH GRADED PER GRD23-0059 TO ALLOW FOR FUTURE DEVELOPMENT. 2. PROPOSED LAND USE: RESIDENTIAL - 52 DWELLING UNITS. THIS SITE DEVELOPMENT PERMIT MORE SPECIFICALLY IDENTIFIES THIS SITE AS PLANNED CONCEPT DETACHED AND DUPLEX DWELLINGS - PER PC TEXT SECTION III.A.2.A.3. 3. EXISTING ZONING: VTM 19305 IS LOCATED WITHIN RANCH PLAN PLANNED COMMUNITY PLANNING AREA 3 AND SUBAREA PLAN PA 3.4, IS ZONED AS A DEVELOPMENT AREA BY THE RANCH PLAN PC TEXT, AND SHALL BE PROCESSED PER THE IMPLEMENTATION PROCEDURES DETAILED IN SECTION I.I.C. OF THE PC TEXT. 4. THE PLANNING AREA 3 MASTER AREA PLAN AND SUBAREA PLAN 3.4 (PA22-0067) DESIGNATE THE PROJECT SITE AS RESIDENTIAL. 5. GRADING PLANS MAY BE PROCESSED CONCURRENTLY WITH A TENTATIVE TRACT MAP, PER A CONCURRENT PROCESSING REQUEST LETTER. PLAN CHECKING OF ROUGH GRADE PLANS OR PRECISE GRADE PLANS MAY PROCEED, BUT APPROVAL OF THE GRADING PLAN MUST FOLLOW VTM APPROVAL. 6. CALIFORNIA ENVIRONMENTAL QUALITY ACT (CEQA) IMPACTS HAVE BEEN ADDRESSED BY THE RANCH PLAN FINAL PROGRAM ER 589 AND ADDENDUM 3.1. 7. ADJACENT LAND USE ZONING NORTH FUTURE OPEN SPACE/SLOPE AREA AND RESIDENTIAL RANCH PLAN PLANNED COMMUNITY SOUTH PUBLIC STREET/FUTURE RESIDENTIAL RANCH PLAN PLANNED COMMUNITY EAST FUTURE RESIDENTIAL RANCH PLAN PLANNED COMMUNITY WEST PUBLIC STREET/FUTURE RESIDENTIAL RANCH PLAN PLANNED COMMUNITY 8. SANITARY SEWER SERVICES PROVIDED BY: SANTA MARGARITA WATER DISTRICT. 9. DOMESTIC WATER SERVICE PROVIDED BY: SANTA MARGARITA WATER DISTRICT. 10. NON-DOMESTIC RECYCLED WATER SERVICE PROVIDED BY: SANTA MARGARITA WATER DISTRICT. 11. ALL PROPOSED UTILITIES ARE TO BE UNDERGROUND WITH THE EXCEPTION OF ELECTRICAL TRANSMISSION LINES GREATER THAN 66KV. PROPOSED UTILITY LOCATIONS SHOWN ON THE MAP ARE APPROXIMATE. ACTUAL LOCATIONS AND EASEMENT WIDTHS WILL BE REFLECTED ON FINAL TRACT MAP(S). SOUTHERN CALIFORNIA GAS COMPANY: SAN DIEGO GAS AND ELECTRIC TELEPHONE: AT&T AND COX COMMUNICATIONS CABLE TELEVISION: COX COMMUNICATIONS 12. PROJECT SITE IS WITHIN THE CAPISTRANO UNIFIED SCHOOL DISTRICT. 13. DRAINAGE SYSTEM WILL BE DEVELOPED IN ACCORDANCE WITH THE O.C. PUBLIC WORKS AND

- 14. COUNTY OF ORANGE FLOOD CONTROL DISTRICT STANDARDS IN ACCORDANCE WITH THE APPLICABLE "MASTER PLAN OF DRAINAGE" AND THE RUN OFF MANAGEMENT PLAN (ROMP), PA3 & 4 ROMP APPROVED ON 11/15/2023. 15. STREET IMPROVEMENTS SHOWN HEREON SHALL MEET THE REQUIREMENTS OF THE COUNTY OF ORANGE AND THE RANCH PLAN ALTERNATIVE DEVELOPMENT STANDARDS. ALL WORK SHALL BE IN CONFORMANCE WITH THE LATEST EDITIONS OF BOTH THE COUNTY OF ORANGE, O.C. PUBLIC WORKS (OCPW) STANDARD PLANS AND THE STANDARD SPECIFICATIONS FOR PUBLIC WORKS CONSTRUCTION AS PUBLISHED BY BNI BUILDING NEWS (GREENBOOK), EACH OF WHICH SHALL BE KEPT ON THE WORK SITE AT ALL TIMES. DESIGN OF ALL WORK SHALL BE IN CONFORMANCE WITH THE LATEST EDITIONS OF THE ORANGE COUNTY HIGHWAY DESIGN MANUAL, O.C. LOCAL DRAINAGE MANUAL, AND THE O.C. GRADING MANUAL. ALL LOCAL STREETS, "PRIVATE AND PUBLIC", SHALL BE DESIGNED AND CONSTRUCTED IN COMPLIANCE WITH THE REQUIREMENTS OF OCPW STANDARD PLAN 1107 AND OTHER APPLICABLE OCPW STANDARD PLANS, UNLESS OTHERWISE APPROVED BY THE ENGINEER. 16. ALL SLOPES SHALL BE CONSTRUCTED AT A MAXIMUM SLOPE RATIO OF 2:1 UNLESS OTHERWISE NOTED. 17. GRADING FOR VESTING TENTATIVE TRACT MAP NO. 19305 MAY BE ACCOMPLISHED IN MULTIPLE PHASES. 18. STORM FLOW TRIBUTARIES TO THE SITE SHALL BE INTERCEPTED AND CONVEYED AROUND AND THROUGH THE SITE VIA THE PROPOSED STORM DRAIN SYSTEMS SHOWN HEREON. 19. ALL PROPOSED STORM DRAINS SHOWN HEREON ARE PRELIMINARY. STORM DRAIN PLANS WILL BE PREPARED PRIOR TO RECORDED OF THE FINAL MAP. 20. BACKBONE AND OFFSITE FACILITIES FOR VESTING TENTATIVE TRACT NO. 19305 MAY BE PHASED AND COORDINATED WITH THE INITIAL GRADING AND DEVELOPMENT. 21. ACCESS TO THE SITE IS PROPOSED VIA GAVILAN RIDGE. STREETS ARE PUBLIC AND ALLEYS ARE PRIVATE. 22. THE APPLICANT REQUESTS THE OPTION OF RECORDED MULTIPLE FINAL MAPS FROM THIS VESTING TENTATIVE TRACT MAP PER SECTION 66456.1 OF THE STATE OF CALIFORNIA GOVERNMENT CODE (SUBDIVISION MAP ACT), AS AMENDED MARCH 1982. 23. LANDSCAPING WITHIN MEDIAN AREAS, STREET ISLANDS, AND PARKWAYS WILL BE MAINTAINED BY A MASTER MAINTENANCE CORPORATION ESTABLISHED FOR THE BENEFIT OF THE PROPERTY OWNERS. 24. THIS MAP IS AN APPLICATION FOR A DEVELOPMENT PERMIT PURSUANT TO SECTION 65943 OF THE CALIFORNIA GOVERNMENT CODE. 25. PROPOSED UTILITIES, AND EASEMENTS, INCLUDING BUT NOT LIMITED TO PUBLIC UTILITIES, FIRE ACCESS, PRIVATE UTILITY AND ACCESS ARE APPROXIMATE. ACTUAL UTILITY AND TRAIL LOCATIONS AND EASEMENT WIDTHS WILL BE REFLECTED ON THE FINAL MAPS, OR BY SEPARATE EASEMENT DOCUMENTS SUBSEQUENT TO FINAL MAP RECORDED. 26. STREET CENTERLINE RATES OF GRADE WILL BE BETWEEN 1% AND 10% UNLESS SHOWN OTHERWISE. 27. THE SUBDIVIDED PROPERTY SHOWN HEREON IS CONSIDERED "CONTIGUOUS UNITS" OF LAND PURSUANT TO SECTION 66424 OF THE CALIFORNIA SUBDIVISION MAP ACT, AS AMENDED. 28. EASEMENTS FOR PUBLIC USE MAY BE CREATED ON THE FINAL MAPS OR BY SEPARATE INSTRUMENTS SUBSEQUENT TO FINAL MAP RECORDED FOR PUBLIC USE OVER FACILITIES SUCH AS, BUT NOT LIMITED TO, WATER QUALITY ELEMENTS, NEIGHBORHOOD ELECTRICAL VEHICLE PATHS AND OTHER FACILITIES AS MAY BE DETERMINED. 29. ACCESS TO STORM DRAINS AND BASINS FOR MAINTENANCE PURPOSES SHALL BE PROVIDED TO THE COUNTY OF ORANGE OR OCPOD AS APPROPRIATE. 30. PER THE RANCH PLAN PLANNED COMMUNITY-WIDE ALTERNATIVE DEVELOPMENT STANDARDS (ORIGINALLY APPROVED MARCH 14, 2007, AND MOST RECENTLY AMENDED SEPTEMBER 28, 2018; SUBSEQUENT REVISIONS OR ADDITIONS MAY ALSO BE APPROVED), AND AS ALLOWED BY RANCH PLAN PC TEXT (GENERAL REGULATION 25) THE FOLLOWING ALTERNATIVE DEVELOPMENT STANDARDS (ADS) ARE PROPOSED AS PART OF THIS "B" TENTATIVE TRACT MAP, OR MAY BE PROPOSED AS PART OF SUBSEQUENT "B" TENTATIVE TRACT MAPS: B-9 MODIFIED COLOR OF CURB RAMP DETECTABLE WARNING SURFACE D-3 REDUCED "SENIOR CITIZEN" PARKING D-8 PLANNED CONCEPT DETACHED DWELLINGS GREATER THAN 3,000 SF D-14 TWO-FAMILY RESIDENCES (DUPLEXES) G-4 1" RIBBON CURB ON PRIVATE STREETS G-7 REDUCED LOCAL DEPRESSIONS ON PRIVATE STREETS G-8 REDUCED LOCAL DEPRESSION ON PUBLIC STREET G-9 ROLLED CURB ON PRIVATE STREETS G-10 GRATED INLETS CATCH BASINS WITH ROLLED CURB ON PRIVATE STREETS G-11 REDUCED LOCAL DEPRESSION WITH ROLLED CURB ON PRIVATE STREETS 31. THE EXPIRATION DATE OF THIS TENTATIVE MAP SHALL RUN CONCURRENT WITH (AND NOT TERMINATE PRIOR TO THE EXPIRATION OF) THE DEVELOPMENT AGREEMENT, EVEN IF THAT TIME FRAME EXCEEDS TEN YEARS, BASED ON GOVERNMENT CODE SECTION 66452.6(c)(1) AND RANCHO MISSION VIEJO DEVELOPMENT AGREEMENT 04-01 SECTIONS 1.2.13 AND 4.2(C). 32. DEVELOPMENT OF VTM 19305 SHALL COMPLY WITH SITE ACCESSIBILITY REQUIREMENTS PER THE CALIFORNIA BUILDING CODE AND PER THE ORANGE COUNTY HIGHWAY DESIGN MANUAL SECTION 105.1 (2.1) FOR SIDEWALKS THAT ARE LESS THAN 5 FEET IN WIDTH. 33. ALL PUBLIC STREETS SHALL BE COUNTY MAINTAINED. 34. ALL PRIVATE STREETS/EASEMENTS WILL NOT BE ACCEPTED BY THE COUNTY FOR MAINTENANCE. COUNTY WILL ONLY ACCEPT THE NECESSARY PUBLIC STREETS AND PUBLIC EASEMENTS. 35. ALL LOT AND PAD GRADIENTS TO BE 1% MINIMUM, UNLESS OTHERWISE NOTED. MASS GRADED PADS CAN BE GRADED AT 1% MINIMUM PER GEOTECHNICAL ENGINEER'S LETTER ON FILE AT RANCHO MISSION VIEJO, LLC (DEVIATION TO COUNTY GRADING CODE AND MANUAL). 36. ALL PRIVATE COURTS SHALL HAVE A RECIPROCAL INGRESS/EGRESS EASEMENT, MINIMUM 30 FOOT WIDE FOR THE BENEFIT OF ALL LOTS IN TRACT NO. 19305. 37. PER RANCH PLAN COMPLIANCE MATRIX ITEM 544, "PRIOR TO THE RECORDED OF A SUBDIVISION MAP, THE SUBDIVIDER SHALL PLACE NOTES ON THE FINAL MAP WHICH RELEASE AND RELINQUISH VEHICULAR ACCESS RIGHTS TO ALL ARTERIAL HIGHWAYS TO THE COUNTY OF ORANGE, EXCEPT FOR ACCESS LOCATIONS APPROVED BY THE COUNTY OF ORANGE, IN A MANNER MEETING THE APPROVAL OF THE MANAGER, SUBDIVISION AND GRADING." 38. LOTS 1-29 TO BE FOR CONDOMINIUM PURPOSES. 39. THIS PLAN IS LOCATED WITHIN AN AREA COVERED BY THE RANCH PLAN FIRE PROTECTION PROGRAM. 40. PROJECT WILL BE SHARING BMP FACILITIES WITH ROUGH GRADE "A" TTM WOMP FOR PLANNING AREA 3 SUBAREA 3.3-3.4 (M023-0018) CONSISTENT WITH WATERSHED'S DECEMBER 17, 2019 MEMO REGARDING UPDATED GUIDELINES FOR THE PREPARATION OF WOMP FOR THE RANCH PLAN PLANNED COMMUNITY. 41. THE RESIDENTIAL DEVELOPMENT IS WITHIN A STATE RESPONSIBILITY AREA (SRA) - VERY HIGH FIRE HAZARD SEVERITY ZONE. 42. AN EASEMENT FOR EMERGENCY VEHICLE ACCESS SHALL BE DEDICATED TO THE COUNTY OF ORANGE ON THE FINAL MAP OVER ALL PRIVATE STREETS. 43. ALL UNITS TO BE SPRINKLERED PER RANCH FIRE PROTECTION PROGRAM AND OCPA REQUIREMENTS. 44. IN THE DESIGN OF THIS MAP, THE GUIDELINES AND REQUIREMENTS WITHIN THE CALIFORNIA SOLAR PERMITTING GUIDEBOOK ADOPTED BY THE STATE OF CALIFORNIA WERE CONSIDERED.

EASEMENT NOTES

- 1. INDICATES AN EASEMENT FOR SEWER, WATER AND ACCESS PURPOSES DEDICATED PER FINAL MAP 19305 TO THE SANTA MARGARITA WATER DISTRICT. 2. INDICATES A RECIPROCAL INGRESS/EGRESS EASEMENT, MINIMUM 30 FOOT WIDE FOR THE BENEFIT OF ALL LOTS IN TRACT NO. 19305. 3. INDICATES AN EASEMENT FOR SEWER, WATER, AND ACCESS PURPOSES DEDICATED PER FINAL MAP 17934 TO THE SANTA MARGARITA WATER DISTRICT. 4. NON-BUILDABLE EASEMENT.

BENCHMARK

OCS BM "AP-02-00" (NAV88) ELEVATION: 238.11' FOUND 3-3/4" OCS ALUMINUM BENCHMARK DISK STAMPED "AP-02-99", SET IN THE NORTHEASTERLY CORNER OF A CONCRETE BRIDGE DECK. MONUMENT IS LOCATED IN THE NORTHEASTERLY CORNER OF ANTONIO PARKWAY AND ITS OVERCROSSING OF SAN JUAN CREEK.

STATEMENT OF OWNERSHIP

RMV PA3 DEVELOPMENT, LLC IS THE OWNER OF THAT PORTION OF PA3 COVERED BY TRACT NO. 19306 AND AUTHORIZED TO EXECUTE AND DELIVER ALL DOCUMENTS THAT ARE NECESSARY AND APPROPRIATE FOR PROCESSING AND IMPLEMENTING THE PA3 DEVELOPMENT PROGRAM. SAID AUTHORIZATION INCLUDES, BUT IS NOT LIMITED TO THE EXECUTION AND DELIVERY OF SUCH APPLICATIONS, AGREEMENTS AND OTHER DOCUMENTS AS ARE REQUIRED BY THE COUNTY OF ORANGE IN CONNECTION WITH THE PROCESSING AND DEVELOPMENT OF PA3.

DATED THIS May 3, 2024 BY: [Signature] PRINTED NAME: Kris Maher TITLE: Sr. V.P. Community Development

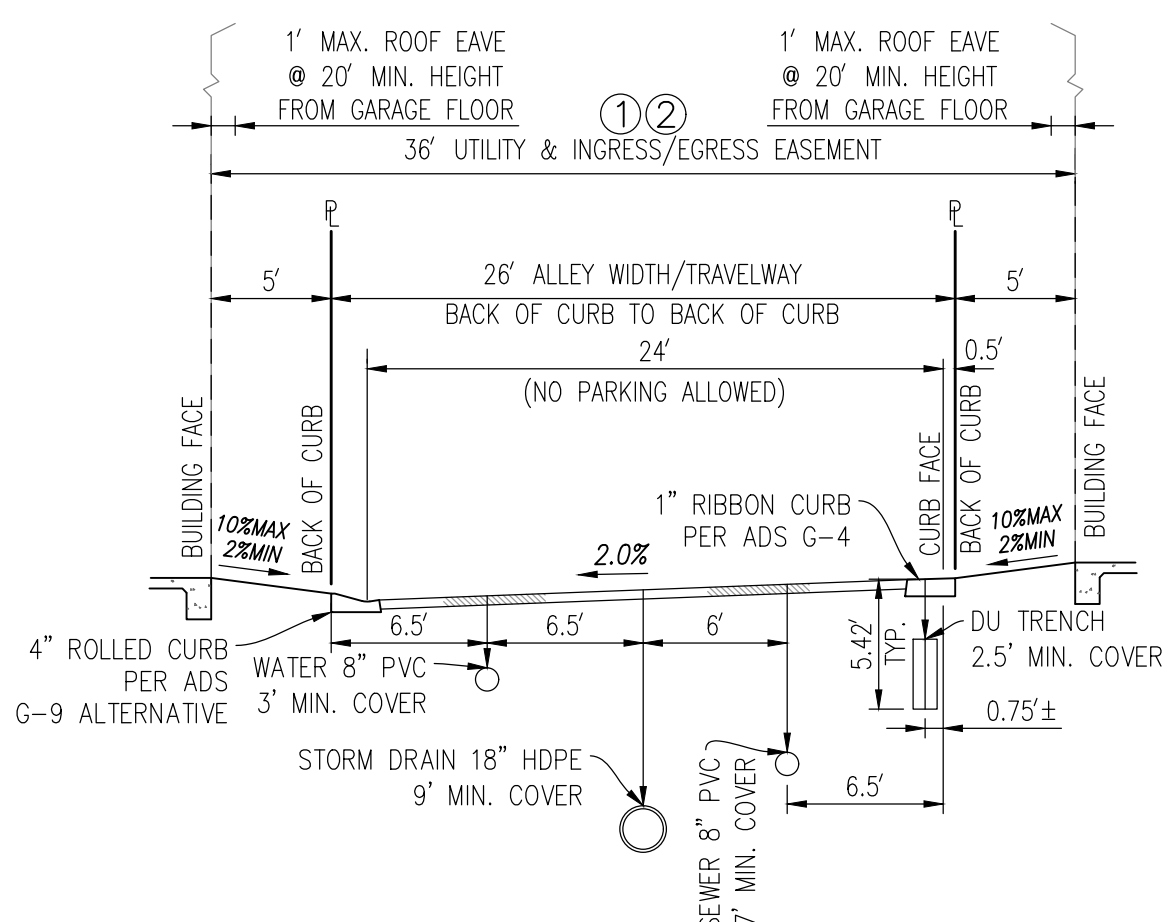
ENGINEERS STATEMENT

I HEREBY STATE THAT THIS MAP WAS PREPARED UNDER MY SUPERVISION AND THAT THE OWNER OF RECORD HAS KNOWLEDGE OF AND CONSENTS TO THE FILING OF THIS MAP. [Signature] DATE: 6/18/2024 NICHOLAS A. STREETER

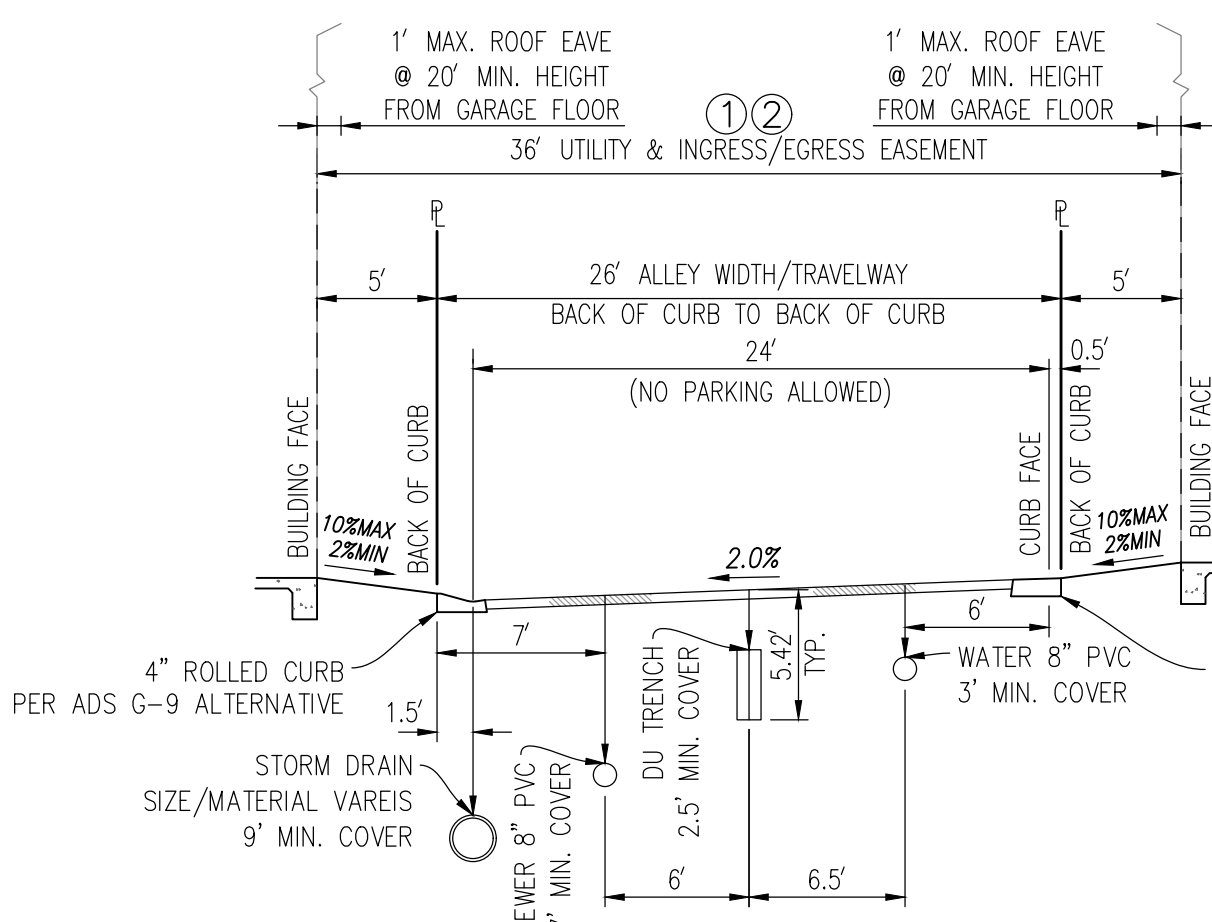


OWNER: RMV PA3 DEVELOPMENT, LLC 28811 ORTEGA HIGHWAY SAN JUAN CAPISTRANO, CA 92684 (949) 240-3363 ATTN: JAY BULLOCK APPLICANT: LENNAR 15131 ALTON PARKWAY, SUITE 365 IRVINE, CA 92618 (949) 349-8000 ATTN: DEREK KEGLEY PREPARED BY: AS ADAMS STREETER Civil Engineers 6975 Von Karman, Suite 150, Irvine, CA 92606 | 949.474.2380 | adam@adamstreeter.com COUNTY OF ORANGE VESTING TENTATIVE TRACT MAP 19305 RANCH PLAN - PLANNING SUBAREA 3.4 RMV PA3 DEVELOPMENT - AQ12 SOUTHWEST SIDE OF LEGADO ROAD & BUCKER WAY REVISION DESCRIPTION DATE DESIGNED BY: DATE: 6/18/2024 CITY FILE NO.: SHEET VTTM-1

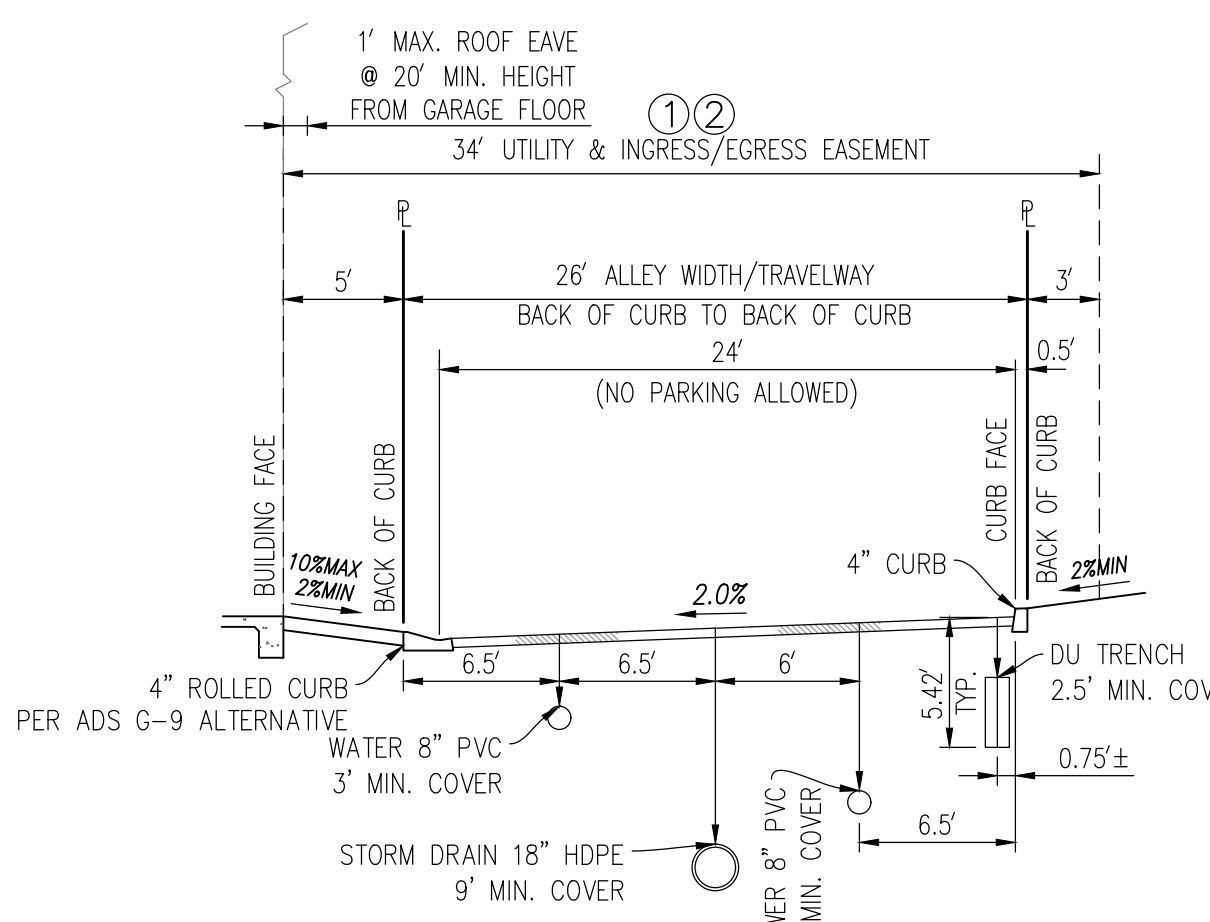
TYPICAL STREET SECTIONS & DETAILS



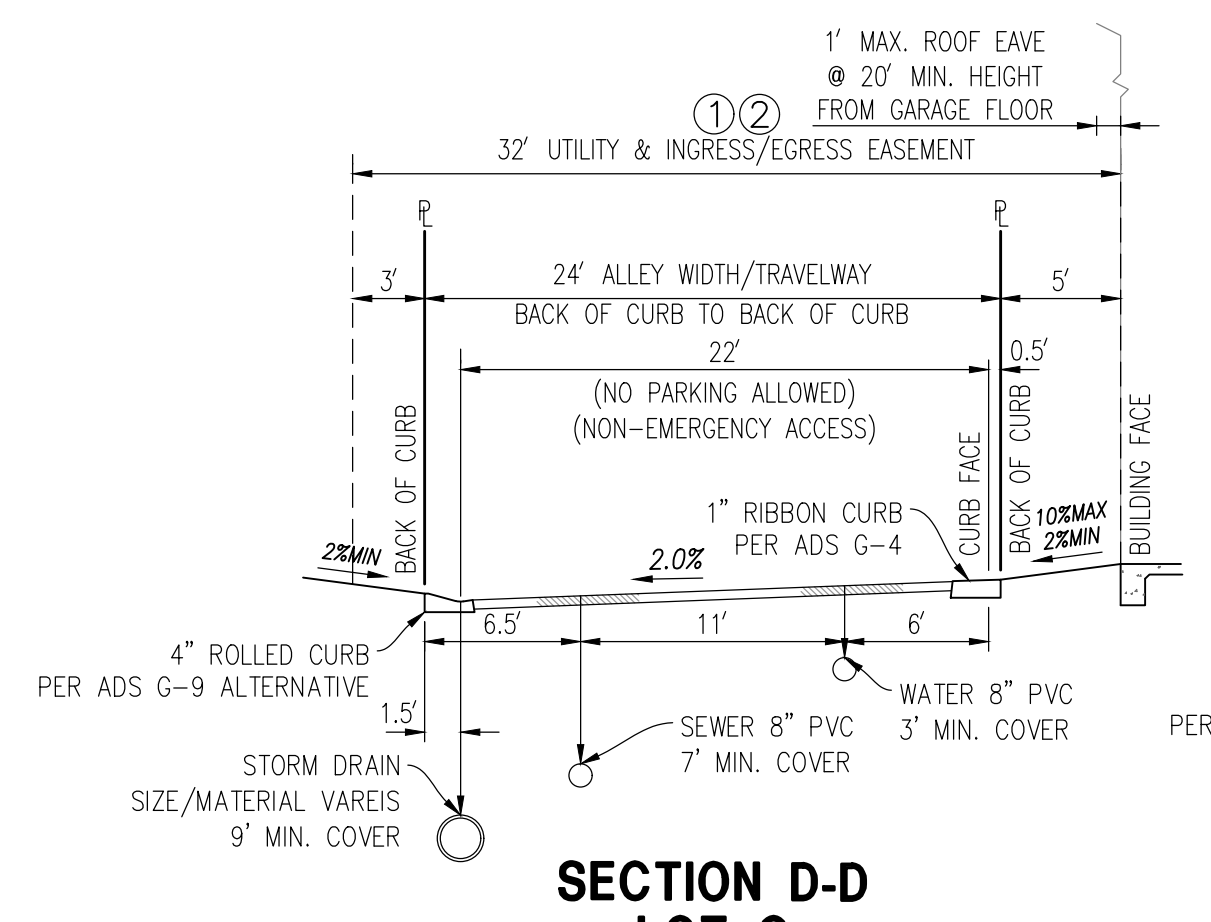
**SECTION A-A
COTTONTAIL ROAD
(G-4 & G-9)
NTS**



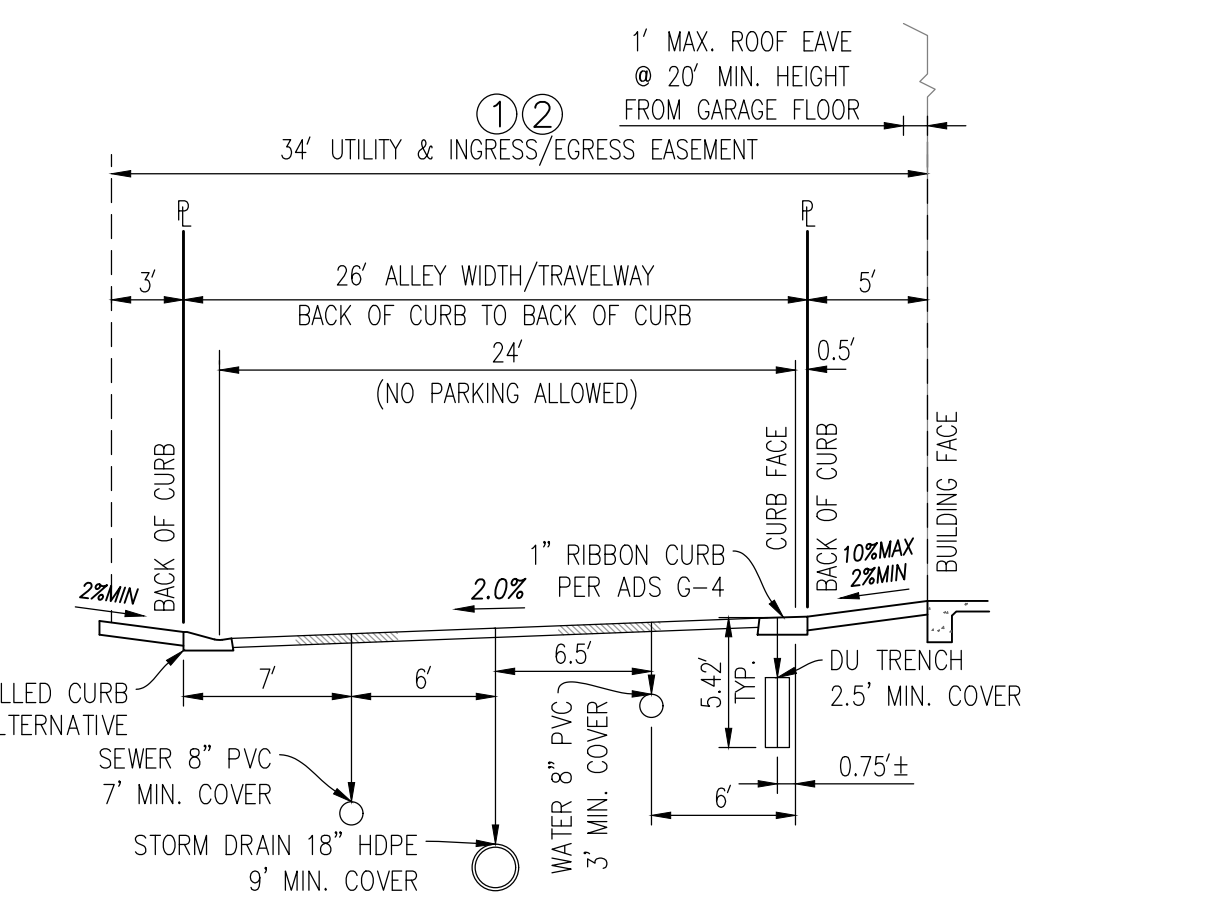
**SECTION B-B
LUMINOUS WAY & GLORY AVENUE
(G-4 & G-9)
NTS**



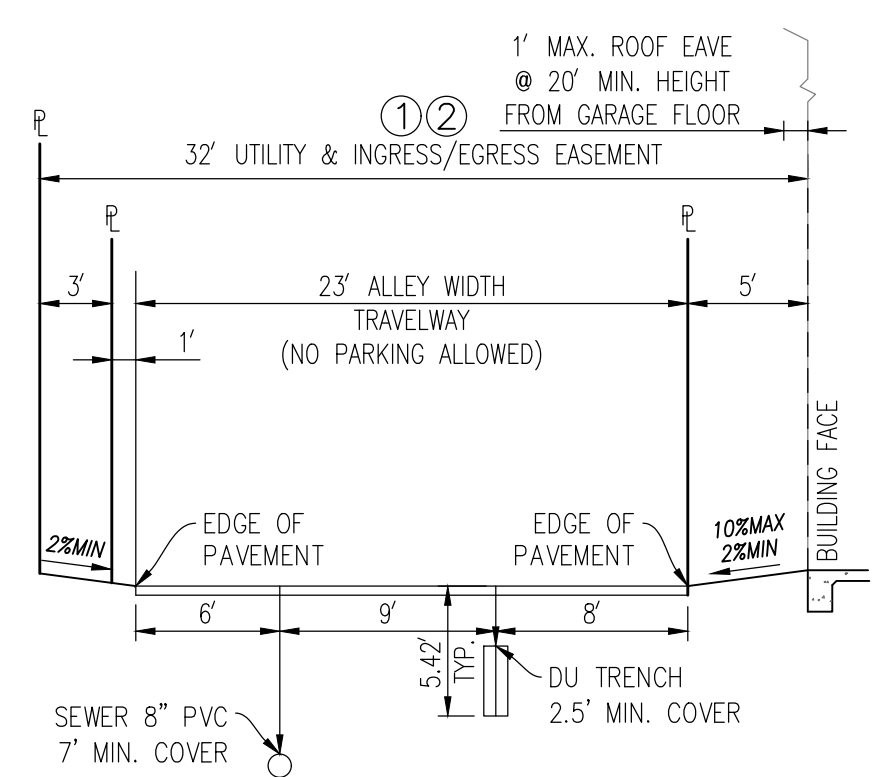
**SECTION C-C
BOUNTY ROAD
(G-4 & G-9)
NTS**



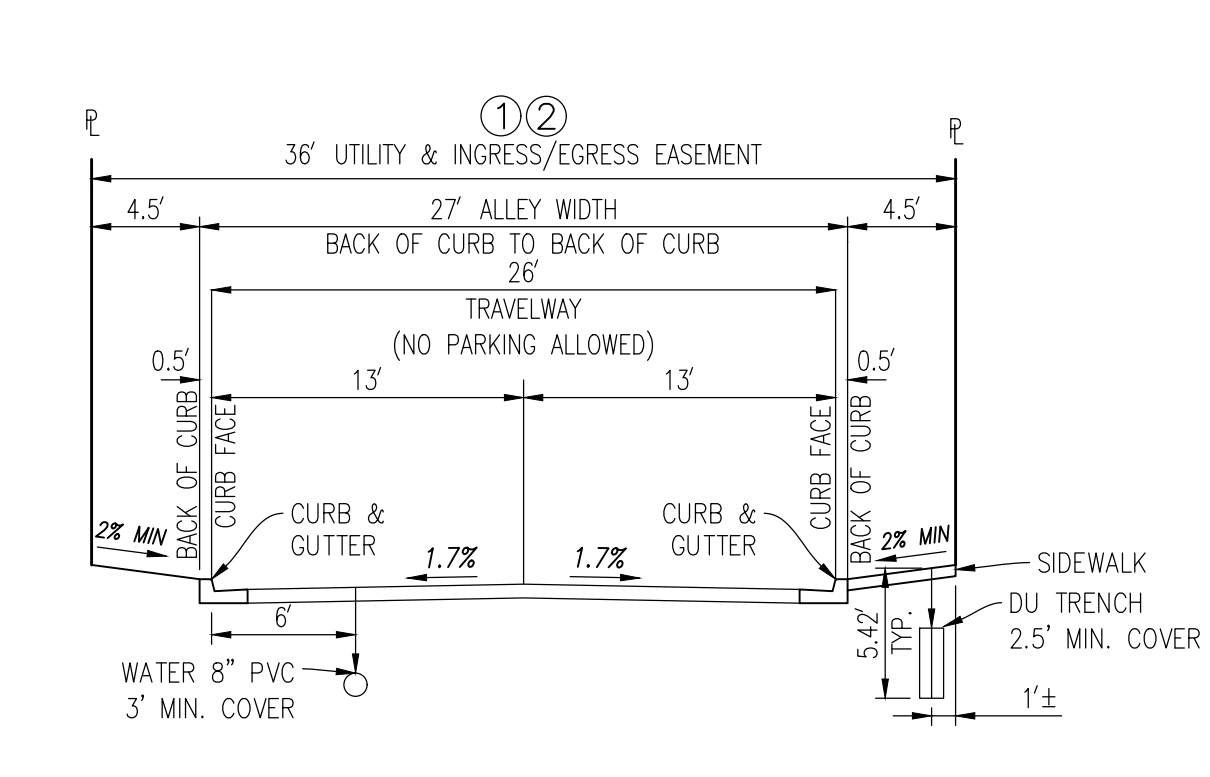
**SECTION D-D
LOT G
(G-4 & G-9)
NTS**



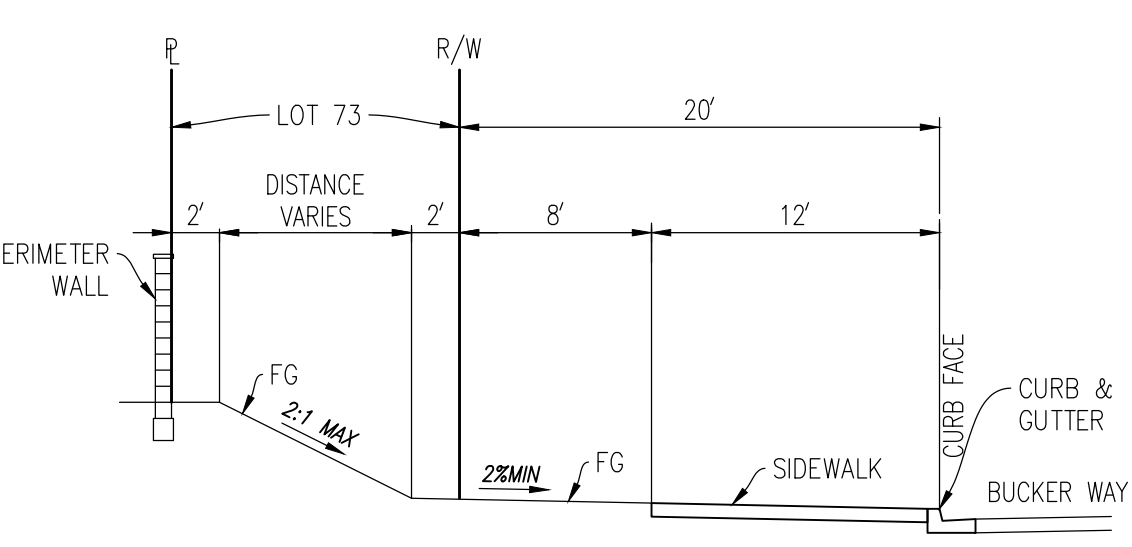
**SECTION E-E
FURROW ROAD
(G-4 & G-9)
NTS**



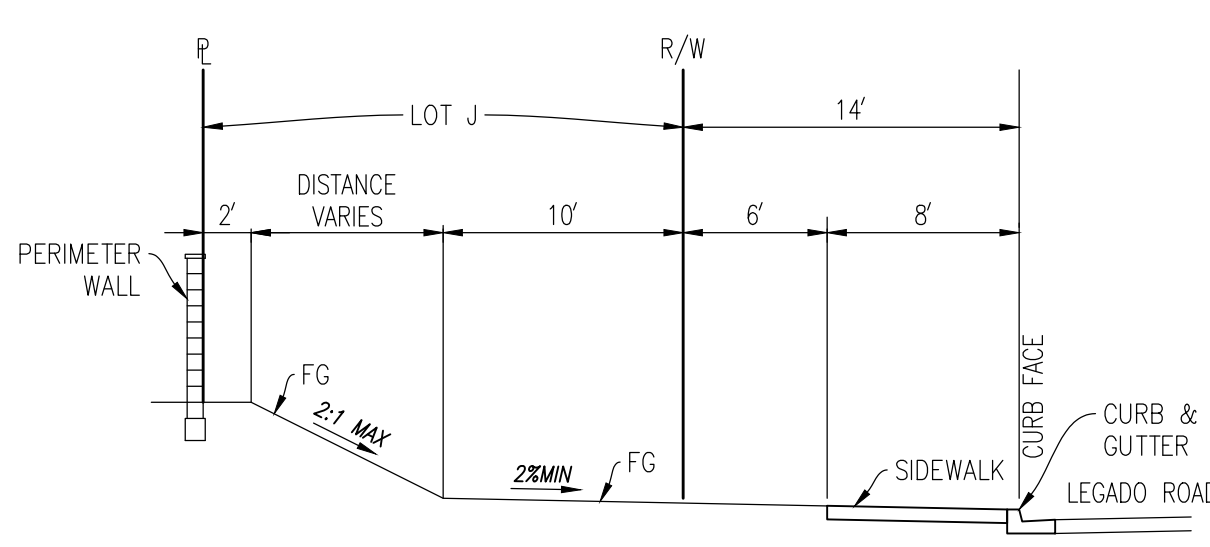
**SECTION F-F
LOT H
NTS**



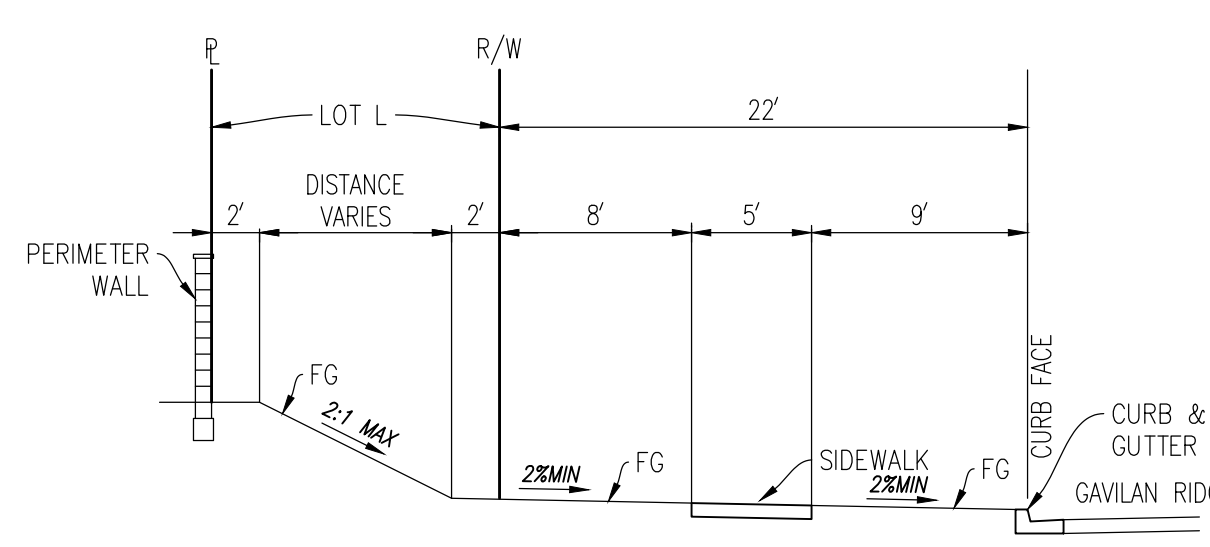
**SECTION FF-FF
CLUB DRIVE
NTS**



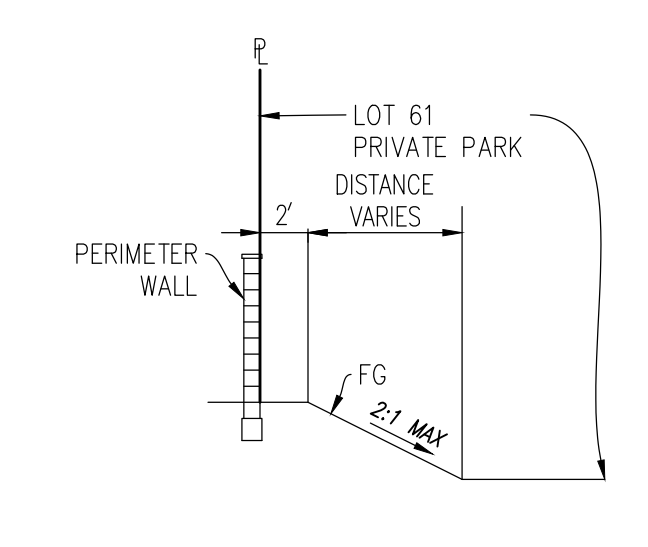
**SECTION G-G
NTS**



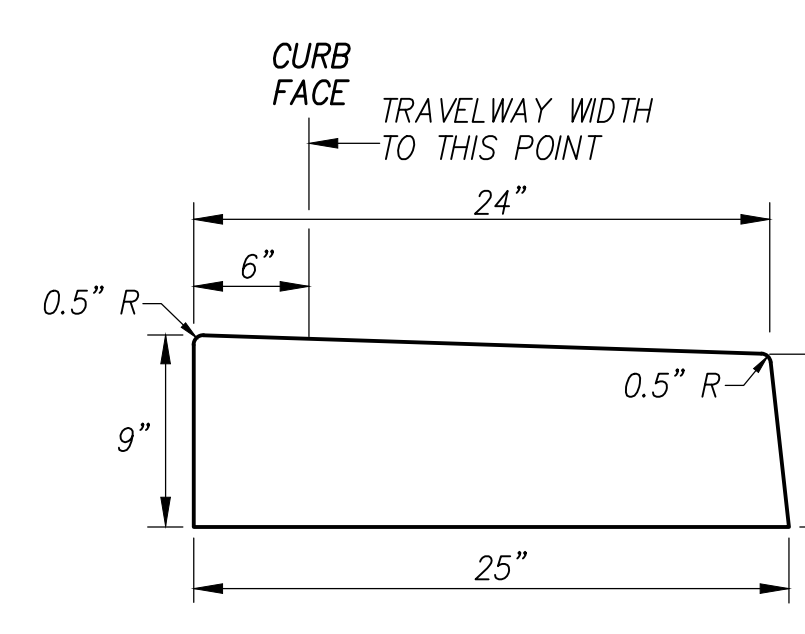
**SECTION H-H
NTS**



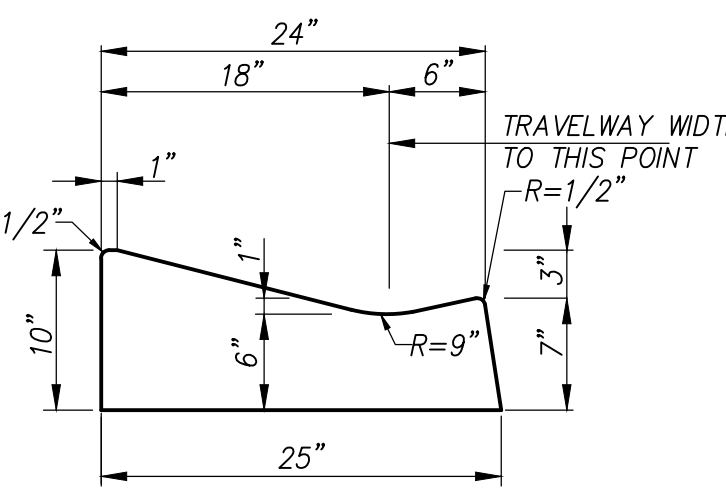
**SECTION I-I
NTS**



**SECTION J-J
NTS**



**1" RIBBON CURB DETAIL
ADS G-4
N.T.S.**



**4" ROLLED CURB DETAIL
ADS G-9 ALTERNATE
N.T.S.**

LOT NUMBER	LOT SIZE	
	SQ. FT.	ACRES
1	7,853	0.18
2	7,242	0.17
3	7,090	0.16
4	6,946	0.16
5	3,823	0.09
6	7,092	0.16
7	4,662	0.11
8	4,183	0.10
9	7,036	0.16
10	3,402	0.08
11	7,865	0.18
12	7,256	0.17
13	7,074	0.16
14	7,105	0.16
15	7,010	0.16
16	8,024	0.18
17	9,124	0.21
18	7,110	0.16
19	6,702	0.15
20	7,222	0.17
21	7,105	0.16
22	7,170	0.16
23	6,904	0.16
24	3,905	0.09
25	7,010	0.16
26	7,105	0.16
27	6,747	0.15
28	7,112	0.16
29	3,809	0.09
TOTAL	190,588	4.38

LOT NUMBER	LOT SIZE		USE
	SQ. FT.	ACRES	
A	2,193	0.05	PRIVATE COURT
B	17,468	0.40	PRIVATE COURT
C	6,521	0.15	PRIVATE COURT
D	14,419	0.33	PRIVATE COURT
E	5,613	0.13	PRIVATE COURT
F	6,431	0.15	PRIVATE COURT
G	1,577	0.04	PRIVATE COURT
H	2,136	0.05	PRIVATE DRIVE
I	3,305	0.08	USABLE OPEN SPACE
J	1,322	0.03	USABLE OPEN SPACE
K	1,918	0.04	USABLE OPEN SPACE
L	3,013	0.07	USABLE OPEN SPACE
M	898	0.02	USABLE OPEN SPACE
N	846	0.02	USABLE OPEN SPACE
O	1,151	0.03	USABLE OPEN SPACE
TOTAL	68,811	1.58	

PROJECT SUMMARY					
LOT NUMBERS	TOTAL LOTS	ACRES	GROSS %	NET %	PROPOSED LAND USE
1-29	29	4.38	73.47%	92.89%	RESIDENTIAL SFD & DUPLEX
A-G	7	1.24	20.90%	-	PRIVATE COURT
H	1	0.05	0.82%	1.04%	PRIVATE DRIVE
I-O	4	0.29	4.80%	6.07%	USABLE OPEN SPACE
TOTALS	41	5.95	100.00%	100.00%	
TOTAL DU	52				
GROSS DEVELOPMENT AREA	5.95	ALL LOTS 1-29, A-L		8.73	DU/AC GROSS DENSITY
NET DEVELOPMENT AREA	4.71	LESS PRIVATE COURTS		11.04	DU/AC NET DENSITY
NET RESIDENTIAL AREA	4.71	(GROSS SITE AREA - STREETS, ALLEYS, DRIVEWAYS, HOA SLOPES AND FUEL MOD)			

OWNER: RMV PA3 DEVELOPMENT, LLC 28811 ORTEGA HIGHWAY SAN JUAN CAPISTRANO, CA 92694 (949) 240-3363 ATTN: JAY BULLOCK	APPLICANT: LENNAR 15131 ALTON PARKWAY, SUITE 365 IRVINE, CA 92618 (949) 349-8000 ATTN: DEREK KEGLY	PREPARED BY: AS ADAMS STREETER Civil Engineers 18755 Von Karman, Suite 150, Irvine, CA 92606 949.474.2330 adams-streeter.com
---	---	--

REVISION		COUNTY OF ORANGE	
DATE	DESCRIPTION	VESTING TENTATIVE TRACT MAP 19305 RANCH PLAN - PLANNING SUBAREA 3.4 RMV PA3 DEVELOPMENT - AQ12 SOUTHWEST SIDE OF LEGADO ROAD & BUCKER WAY	
DESIGNED BY: ---	DATE: 6/18/2024	CITY FILE NO.: ---	SHEET VTTM-2
DRAFTED BY: ---			
CHECKED BY: ---			

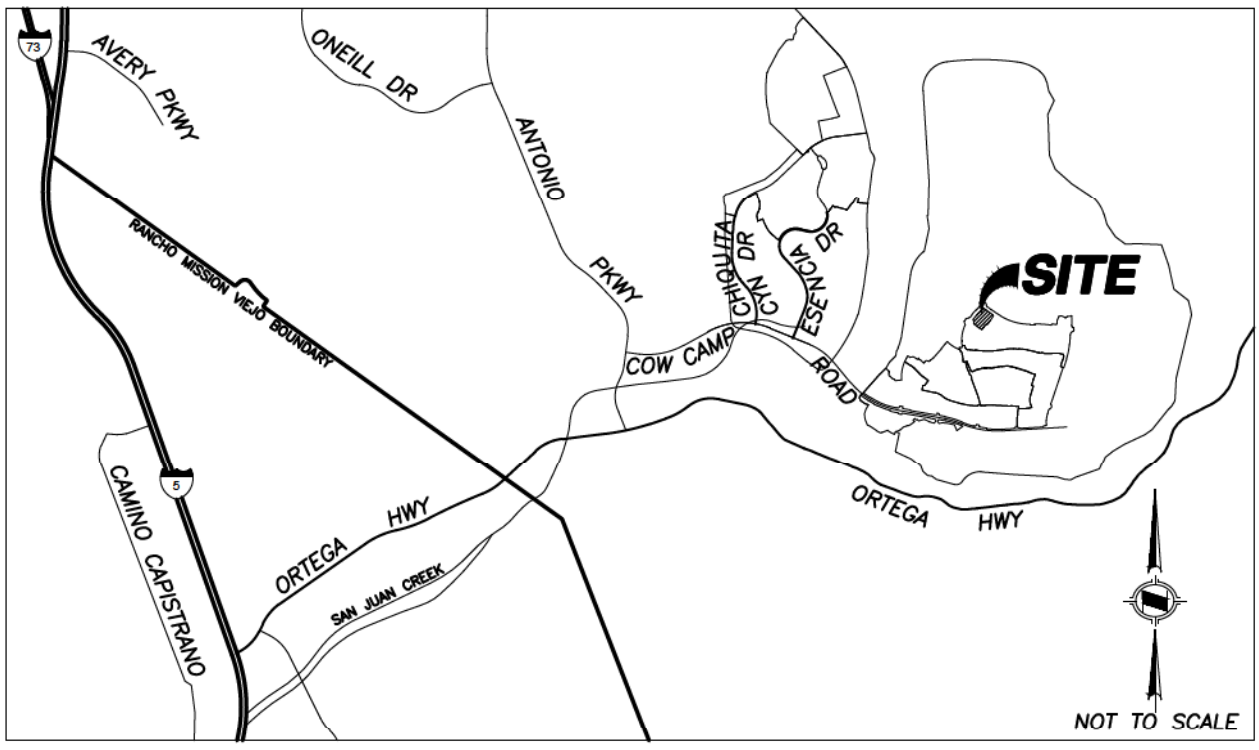
REVIEWED FOR CODE COMPLIANCE
These plans and documents have been reviewed and found to be in compliance with the applicable code requirements of the jurisdiction. Issuance of a permit is recommended subject to approval by other departments and any related conditions. The stamping of these plans shall not be held to be an approval of any codes of applicable codes and standards to which the owner, design professional or record or contractor of compliance with the applicable codes and standards. Plan review of documents does not constitute a guarantee or warranty of any kind. Please refer to the applicable codes and standards.

BUREAU VERITAS NORTH AMERICA, INC.
SIGNATURE: *Tring Routh*, P.E.
DATE: 7/21/2024

ORANGE COUNTY FIRE AUTHORITY



FIRE MASTER PLAN



ORANGE COUNTY FIRE AUTHORITY
 Reviewed by Planning & Development
 Service Request Expires After 6 Months of Inactivity

Approval subject to field inspection and required test, notations hereon, conditions in correspondence and conformance with applicable regulations. The stamping of these plans shall not be held to permit or approve the violation of any law.

OCFA SR #: **544563**
 Fee Codes: **PR 145**
 Plan Type: **Fire Master Plan**
 By: **shawmfraley**
 Date: **03/26/2024**

ONLY STAMPED SHEETS REVIEWED BY ORANGE COUNTY FIRE AUTHORITY
 Call at least 72 hours in advance to schedule inspections: (714) 573-6150

Notes:

VICINITY MAP

OCFA STAMP

PROJECT INFORMATION REQUIREMENTS

PROJECT LOCATION: RIENDA PA3.4
 PARCEL MAP NUMBER:
 TRACT NUMBER: VTTM 19305
 LOT NUMBER: 1 - 29

EMERGENCY ACCESS EASEMENTS

DETAILED SCOPE OF WORK
 RIENDA AQ12 IS A NEW PROPOSED SINGLE FAMILY DETACHED & DUPLEX UNITS WITHIN THE RANCHO MISSION VIEJO PLANNING AREA 3.4 COMMUNITY. THE PROJECT CONSISTS OF 52 SINGLE FAMILY DETACHED & DUPLEX DWELLING UNITS TOTAL WITH THE LARGEST BUILDING BEING APPROXIMATELY 3,227 SQ.FT. (GROSS).

NUMBER OF UNITS OR HOMES IN DEVELOPMENT
 TOTAL UNITS: 52

SPECIAL CONDITIONS
 ● FIRE HAZARD SEVERITY ZONE ● STATE RESPONSE AREA ○ LOCAL RESPONSE AREA
 ○ STATE LICENSED FACILITY
 ○ AM&M ○ PENDING ○ COMPLETE SR
 ○ METHANE MITIGATION

NUMBER OF STORIES
 TWO (2) MAX

BUILDING HEIGHT
 APPROXIMATELY 35'-0" MAXIMUM TO HIGHEST POINT

OCCUPANCY TYPE (CHECK ALL THAT APPLY)
 * INDICATES SFM REGULATED OCCUPANCY. OCFA PLAN SUBMITTAL REQUIRED
 # GROUP S MOTOR VEHICLE REPAIR AND AIRCRAFT REPAIR REQUIRE OCFA PLAN SUBMITTAL

○ GROUP A1* ○ GROUP A2* ○ GROUP A3* ○ GROUP A4* ○ GROUP A5*
 ○ GROUP B ○ GROUP E* ○ GROUP F1 ○ GROUP F2 ○ GROUP H1*
 ○ GROUP H2* ○ GROUP H3* ○ GROUP H4* ○ GROUP H5* ○ GROUP I1*
 ○ GROUP I2* ○ GROUP I3* ○ GROUP I4* ○ GROUP M ○ GROUP R1*
 ○ GROUP R2* ○ GROUP R2.1 ○ GROUP R2.2 ● GROUP R3 ○ GROUP R3.1
 ○ GROUP R4* ○ GROUP S1# ○ GROUP S2# ○ GROUP U

TYPE OF CONSTRUCTION
 ○ TYPE IA ○ TYPE IB
 ○ TYPE IIA ○ TYPE IIB
 ○ TYPE IIIA ○ TYPE IIIB
 ○ TYPE IV-A ○ TYPE IV-B ○ TYPE IV-C
 ○ TYPE VA ● TYPE VB

MIXED USE AND OCCUPANCY (PER CBC 508 & 509)
 ○ ACCESSORY OCCUPANCIES (CBC 508.2)
 (ACCESSORY OCCUPANCY < 10% OF STORY)
 ○ INCIDENTAL USES (CBC 509)
 ○ NONSEPARATED OCCUPANCIES (CBC 508.3)
 ○ SEPARATED OCCUPANCIES (CBC 508.4)

SPECIAL DETAILED REQUIREMENTS
 ○ HIGH RISE (CBC 403)
 ○ ATRIUM (CBC 404)
 ○ OPEN PARKING GARAGE (CBC 406.5)
 ○ GROUP I2 (CBC 407) SMOKE COMPARTMENTS REFUGE AREAS
 ○ HAZARDOUS MATERIALS (CBC 414, CFC CHAPTER 50)

SPRINKLERS
 ● NEW ● MANDATORY ○ VOLUNTARY
 ○ TENANT IMPROVEMENT

TYPE
 ● NFPA 13
 ● NFPA 13D
 ○ NFPA 13R

○ FIRE PUMP
 ○ STANDPIPES

FIRE ALARM
 ○ NEW ○ MANDATORY ○ VOLUNTARY
 ○ TENANT IMPROVEMENT
 ○ VOICE EVACUATION

FIRE FLOW REQUIREMENT PER OCFA GUIDELINE B-01 ATTACHMENT 4
 FLOW (IN GPM @ 20 PSI): 1,000 GPM DURATION: 1 HOUR

WATER AVAILABILITY
 PROVIDE COPY OF OCFA WATER AVAILABILITY FORM COMPLETED BY WATER DISTRICT ON FIRE MASTER PLAN
 FLOW:
 PRESSURE:

● ON SITE FIRE HYDRANTS
 TOTAL NUMBER: 5 PUBLIC FIRE HYDRANTS

EMERGENCY RESPONDER RADIO COVERAGR (BDA)
 ○ THIS BUILDING SHALL BE EQUIPPED WITH AN EMERGENCY RESPONDER DIGITAL RADIO SYSTEM PER THE REQUIREMENTS OF THE ORANGE COUNTY SHERIFF'S DEPARTMENT-COMMUNICATIONS & TECHNOLOGY DIVISION. FOR THE INITIAL SUBMITTAL, OCSD/COMM REQUIRES THE ERROS/BDA/DAS SYSTEM DESIGNER TO PROVIDE THE FOLLOWING FOR PRE-EVALUATION: A. PROJECT NAME, B. SITE ADDRESS, C. PROJECT DESCRIPTION, D. CONTRACTOR CONTACT INFORMATION, E. BDA MODEL (S/N IF AVAILABLE), F. PROPOSED MODE OF OPERATION (CLASS A/B), G. PROPOSED PROJECT TIMELINE. THIS INFORMATION IS TO BE SUBMITTED BY THE DESIGNER VIA EMAIL TO ERRC@OCSD.ORG AND BDACERT@OCFA.ORG. CFC 510

OCFA STANDARD FIRE MASTER PLAN NOTES

- INSPECTION REQUIREMENTS**
- OCFA SITE INSPECTIONS ARE REQUIRED FOR THIS PROJECT. PLEASE SCHEDULE ALL FIELD INSPECTIONS AT LEAST 48 HOURS IN ADVANCE. INSPECTIONS CANCELED AFTER 1 P.M. ON THE DAY BEFORE THE SCHEDULED DATE WILL BE SUBJECT TO A RE-INSPECTION FEE. CALL OCFA INSPECTION SCHEDULING AT (714) 573-6150.
 - A LUMBER DROP INSPECTION SHALL BE PERFORMED PRIOR TO BRINGING COMBUSTIBLE MATERIALS (OR COMBUSTIBLE FIXTURES AND FINISHES FOR STRUCTURES OF NON-COMBUSTIBLE CONSTRUCTION), ALL-WEATHER ACCESS ROADS CAPABLE OF SUPPORTING 94,000 LBS., TOPPED WITH ASPHALT, CONCRETE, OR EQUIVALENT SHALL BE IN PLACE AND HYDRANTS OPERATIONAL AT TIME OF LUMBER DROP INSPECTION.
 - FOR PROJECTS WITH FUEL MODIFICATION, A VEGETATION CLEARANCE INSPECTION IS REQUIRED PRIOR TO A LUMBER DROP INSPECTION. USE THE FUEL MODIFICATION PLAN SERVICE REQUEST NUMBER TO SCHEDULE THE VEGETATION CLEARANCE INSPECTION.
 - PHASED INSTALLATION OF FIRE ACCESS ROADS REQUIRES ADDITIONAL INSPECTIONS NOT COVERED BY THE FEES PAID AT PLAN SUBMITTAL. CONTACT INSPECTION SCHEDULING TO ARRANGE FOR ADDITIONAL INSPECTIONS THAT MAY BE NEEDED AND ANY FEES THAT MAY BE DUE.
 - AN ORIGINAL APPROVED, SIGNED, WET-STAMPED OCFA FIRE MASTER PLAN SHALL BE AVAILABLE ON-SITE AT TIME OF INSPECTION.
 - ACCESS ROADS AND HYDRANTS SHALL BE MAINTAINED AND REMAIN CLEAR OF OBSTRUCTIONS AT ALL TIMES DURING AND AFTER CONSTRUCTION. AREAS WHERE PARKING IS NOT PERMITTED SHALL BE CLEARLY IDENTIFIED AT ALL TIMES. OBSTRUCTION OF FIRE LANES AND HYDRANTS MAY RESULT IN CANCELLATION OR SUSPENSION OF INSPECTIONS.
 - TEMPORARY FUEL TANKS OF 60 OR MORE GALLONS SHALL BE REVIEWED, INSPECTED, AND PERMITTED BY THE OCFA PRIOR TO USE.
 - THE PROJECT ADDRESS SHALL BE CLEARLY POSTED AND VISIBLE FROM THE PUBLIC ROAD DURING CONSTRUCTION.
 - ALL GATES IN CONSTRUCTION FENCING SHALL BE EQUIPPED WITH EITHER A KNOX OR BREAKAWAY PADLOCK.
 - BUILDINGS OF FOUR OR MORE STORIES SHALL BE PROVIDED WITH STAIRS AND A STANDPIPE BEFORE REACHING 40 FEET IN HEIGHT.

- GENERAL REQUIREMENTS**
- FIRE LANE WIDTHS SHALL BE MEASURED FROM TOP FACE OF THE CURB TO TOP FACE OF THE CURB FOR FIRE LANES WITH STANDARD CURBS AND GUTTERS AND FROM FLOW-LINE TO FLOW-LINE FOR FIRE LANES WITH MODIFIED CURB DESIGNS (E.G., ROLLED, RAMPED, ETC.). THE DEVELOPER IS RESPONSIBLE TO VERIFY THAT ALL APPROVED PUBLIC WORKS OR GRADING DEPARTMENT STREET IMPROVEMENT PLANS OR PRECISE GRADING PLANS CONFORM TO THE MINIMUM STREET WIDTH MEASUREMENTS PER THE APPROVED OCFA FIRE MASTER PLAN AND STANDARDS IDENTIFIED IN OCFA GUIDELINE B-09 FOR ALL PORTIONS OF THE FIRE ACCESS ROADS.
 - PERMANENT, TEMPORARY, AND PHASED EMERGENCY ACCESS ROADS SHALL BE DESIGNED AND MAINTAINED TO SUPPORT AN IMPOSED LOAD OF 94,000 LBS. AND SURFACED TO PROVIDE ALL-WEATHER DRIVING CAPABILITIES.
 - FIRE LANE SIGNS AND RED CURBS SHALL MEET THE SPECIFICATIONS SHOWN IN OCFA GUIDELINE B-09 AND SHALL BE INSTALLED AS DESCRIBED THEREIN. ADDITIONAL FIRE LANE MARKINGS MAY BE REQUIRED AT THE TIME OF INSPECTION DEPENDING ON FIELD CONDITIONS.
 - ALL FIRE HYDRANTS SHALL HAVE A "BLUE REFLECTIVE PAVEMENT MARKER" INDICATING THEIR LOCATION PER THE OCFA STANDARD. ON PRIVATE PROPERTY MARKERS ARE TO BE MAINTAINED IN GOOD CONDITION BY THE PROPERTY OWNER.
 - ADDRESS NUMBERS SHALL BE LOCATED AND BE OF A COLOR AND SIZE SO AS TO BE PLAINLY VISIBLE AND LEGIBLE FROM THE ROADWAY FROM WHICH THE BUILDING IS ADDRESSED IN ACCORDANCE WITH OCFA GUIDELINE B-09. WAYFINDING SIGNS, WHEN REQUIRED BY THE LOCAL AHJ, SHALL COMPLY WITH THE STANDARDS OF THAT AGENCY. WHEN WAYFINDING SIGNS ARE ALSO REQUIRED BY THE OCFA, THEY MAY BE DESIGNED TO LOCAL AHJ REQUIREMENTS PROVIDED THAT SUCH STANDARDS FACILITATE LOCATION OF STRUCTURES, SUITES, AND DWELLING UNITS BY EMERGENCY PERSONNEL.
 - ACCESS GATES SHALL BE APPROVED PRIOR TO INSTALLATION AND SHALL BE IN COMPLIANCE WITH CHAPTER 5 OF THE CFC AND OCFA GUIDELINES.
 - APPROVED ACCESS WALKWAYS SHALL BE PROVIDED TO ALL REQUIRED OPENINGS AND ALL RESCUE WINDOWS.
 - VEGETATION SHALL BE SELECTED AND MAINTAINED IN SUCH A MANNER AS TO ALLOW IMMEDIATE ACCESS TO ALL HYDRANTS, VALVES, FIRE DEPARTMENT CONNECTIONS, PULL STATIONS, EXTINGUISHERS, SPRINKLER RISERS, ALARM CONTROL PANELS, RESCUE WINDOWS, AND OTHER DEVICES OR AREAS USED FOR FIREFIGHTING PURPOSES. VEGETATION OR BUILDING FEATURES SHALL NOT OBSTRUCT ADDRESS NUMBERS OR INHIBIT THE FUNCTIONING OF ALARM BELLS, HORNS, OR STROBES.
 - DUMPSTERS AND TRASH CONTAINERS LARGER THAN 1.5 CUBIC YARDS SHALL NOT BE STORED IN BUILDINGS OR PLACED WITHIN 5 FEET OF COMBUSTIBLE WALLS, OPENINGS OR COMBUSTIBLE ROOF EAVE LINES UNLESS PROTECTED BY AN APPROVED SPRINKLER SYSTEM.
 - ANY FUTURE MODIFICATION TO THE APPROVED FIRE MASTER PLAN OR APPROVED SITE PLAN, INCLUDING BUT NOT LIMITED TO ROAD WIDTH, GRADE, SPEED HUMPS, TURNING RADII, GATES OR OTHER OBSTRUCTIONS, SHALL REQUIRE REVIEW, INSPECTION, AND APPROVAL BY THE OCFA.
 - APPROVAL OF THIS PLAN SHALL NOT BE CONSTRUED AS APPROVAL OF ANY INFORMATION OR PROJECT CONDITIONS OTHER THAN THOSE ITEMS AND REQUIREMENTS IDENTIFIED IN OCFA GUIDELINE B-09 AND RELATED PORTIONS OF THE 2019 CFC AND CBC. THIS PROJECT MAY BE SUBJECT TO ADDITIONAL REQUIREMENTS NOT STATED HEREIN UPON EXAMINATION OF ACTUAL SITE AND PROJECT CONDITIONS OR DISCLOSURE OF ADDITIONAL INFORMATION.

- PROJECT-SPECIFIC REQUIREMENTS**
- AN UNDERGROUND PIPING PLAN IS REQUIRED FOR THE INSTALLATION OF AN AUTOMATIC FIRE SPRINKLER SYSTEM OR FOR A PRIVATE FIRE HYDRANT SYSTEM. A SEPARATE PLAN SUBMITTAL IS REQUIRED.
 - AN ARCHITECTURAL PLAN IS REQUIRED TO BE SUBMITTED TO THE OCFA FOR REVIEW AND APPROVAL FOR PROJECTS CONTAINING A, C, E, F, H, I, L, AND R-4 OCCUPANCIES. A PLAN MAY ALSO BE REQUIRED FOR R-1 AND R-2 OCCUPANCIES OVER TWO STORIES OR THOSE UTILIZING SPRINKLERS OR FIRE WALLS TO INCREASE THE MAXIMUM BUILDING SIZE ALLOWED--SEE OCFA INFO BULLETIN 02-13.
 - A CHEMICAL CLASSIFICATION AND HAZARDOUS MATERIALS COMPLIANCE PLAN SHALL BE APPROVED BY THE OCFA PRIOR TO ANY HAZARDOUS MATERIALS BEING STORED OR USED ON SITE. A SEPARATE PLAN SUBMITTAL IS REQUIRED.
 - BUILDINGS USED FOR HIGH-PILED STORAGE SHALL COMPLY WITH CFC REQUIREMENTS. A SEPARATE PLAN SUBMITTAL IS REQUIRED IF MATERIALS WILL BE STORED HIGHER THAN 12 FEET FOR LOWER-HAZARD COMMODITIES, OR HIGHER THAN SIX FEET FOR HIGH-HAZARD COMMODITIES SUCH AS PLASTICS, RUBBER, FLAMMABLE/COMBUSTIBLE LIQUIDS, TIRES, CARPET, ETC.
 - AN AUTOMATIC FIRE SPRINKLER SYSTEM SHALL BE INSTALLED IN ACCORDANCE WITH APPLICABLE CODES AND LOCAL ORDINANCES, AMENDMENTS, AND GUIDELINES. SPRINKLER SYSTEMS, OTHER THAN THOSE LISTED IN CFC 903.4, SHALL BE MONITORED BY AN APPROVED CENTRAL STATION. SEPARATE PLAN SUBMITTALS FOR THE SPRINKLER AND MONITORING SYSTEMS ARE REQUIRED.
 - BUILDINGS CONTAINING INDUSTRIAL REFRIGERATION SYSTEMS SHALL COMPLY WITH CFC REQUIREMENTS. A SEPARATE PLAN SUBMITTAL IS REQUIRED IF REFRIGERANT QUANTITIES EXCEED THRESHOLDS.
 - A FIRE ALARM SYSTEM SHALL BE INSTALLED IN ACCORDANCE WITH APPLICABLE CODES AND LOCAL ORDINANCES, AMENDMENTS, AND GUIDELINES. A SEPARATE PLAN SUBMITTAL IS REQUIRED.
 - STRUCTURES LOCATED IN A FIRE HAZARD SEVERITY ZONE OR WILDLAND-URBAN INTERFACE AREA ARE SUBJECT TO THE CONSTRUCTION REQUIREMENTS PRESCRIBED IN CHAPTER 7A OF THE 2019 CBC AND/OR SECTION 337 OF THE 2019 CRC. CONSTRUCTION MATERIALS/METHODS ARE REVIEWED AND INSPECTED BY THE BUILDING DEPARTMENT.
 - ONE OR MORE STRUCTURES SHOWN ON THIS PLAN ARE LOCATED ADJACENT TO A FUEL MODIFICATION AREA. CHANGES TO THE FUEL MODIFICATION ZONE LANDSCAPING, NEW STRUCTURES, OR ADDITIONAL ALTERATION TO EXISTING STRUCTURES REQUIRES REVIEW AND APPROVAL BY THE OCFA.
 - PROJECTS LOCATED IN STATE RESPONSIBILITY AREAS AND IN LOCAL RESPONSIBILITY AREA VHFHSZ SHALL ALSO COMPLY WITH ALL APPLICABLE REQUIREMENTS FROM TITLE 14, DIV. 1.5, CH. 7, SUBCH. 2 "SRA FIRE SAFE REGULATIONS" AND GUIDELINE B-09A.
 - STRUCTURES MEETING THE CRITERIA IN CFC 510.1 SHALL BE PROVIDED WITH AN EMERGENCY RESPONDER RADIO SYSTEM. REFER TO CFC 510.2 THROUGH 510.6.3 AND DAS/BDA GUIDELINES PUBLISHED BY OC SHERIFF'S COMMUNICATION AND TECHNOLOGY DIVISION FOR TECHNICAL AND SUBMITTAL INFORMATION.

GATES
 ○ MANUAL ○ ELECTRIC

OCFA NOTES FOR ELECTRIC VEHICLE GATES

- A REMOTE OPENING DEVICE IS REQUIRED. THE REMOTE GATE OPENING DEVICE THAT WILL BE INSTALLED IS (CHECK ONE):
 ○ 3M OPTICOM
 ○ CLICKENTER® (SINGLE-PULSE MODE WITH 1.5 SECOND TRANSMISSION WINDOW)
 ○ FIRE STROBE ACCESS PRODUCTS, INC.
 ○ TOMAR
- IN THE EVENT OF LOSS OF NORMAL POWER TO THE GATE OPERATING MECHANISM, IT SHALL BE AUTOMATICALLY TRANSFERRED TO A FAIL-SAFE MODE ALLOWING THE GATE TO BE PUSHED OPEN BY A SINGLE FIREFIGHTER WITHOUT ANY OTHER ACTIONS, KNOWLEDGE, OR MANIPULATION OF THE OPERATING MECHANISM BEING NECESSARY.
 A) A BATTERY MAY ONLY BE USED IN PLACE OF FAIL-SAFE MANUAL OPERATION WHEN THE GATE OPERATOR HAS A FAIL-OPEN MODE THAT WILL AUTOMATICALLY, IMMEDIATELY, AND COMPLETELY OPEN THE GATE AND KEEP IT OPEN UPON REACHING A LOW POWER THRESHOLD, REGARDLESS OF THE PRESENCE OF NORMAL POWER.
 B) SHOULD THE GATE BE TOO LARGE OR HEAVY FOR A SINGLE FIREFIGHTER TO OPEN MANUALLY, A SECONDARY SOURCE OF RELIABLE POWER BY MEANS OF AN EMERGENCY GENERATOR OR A CAPACITOR WITH ENOUGH RESERVE TO AUTOMATICALLY, IMMEDIATELY, AND COMPLETELY OPEN THE GATE UPON LOSS OF PRIMARY POWER SHALL BE PROVIDED FOR FAIL-OPEN OPERATION.
- IN ADDITION TO THE REMOTE OPERATOR, THE GATE CONTROL SHALL BE OPERABLE BY A KNOX EMERGENCY OVERRIDE KEY SWITCH EQUIPPED WITH A DUST COVER. UPON ACTIVATION OF THE KEY SWITCH, THE GATE SHALL OPEN AND REMAIN OPEN UNTIL RETURNED TO NORMAL OPERATION BY MEANS OF THE KEY SWITCH. WHERE A GATE CONSISTS OF TWO LEAVES, THE KEY SWITCH SHALL OPEN BOTH SIMULTANEOUSLY IF OPERATION OF A SINGLE LEAF ON THE INGRESS SIDE DOES NOT PROVIDE FOR THE WIDTH, TURNING RADII, OR SETBACKS NECESSARY FOR FIRE APPARATUS TO NAVIGATE THE VEHICLE ENTRY POINT.
- THE KEY SWITCH SHALL BE PLACED BETWEEN 42" AND 48" ABOVE THE ROADWAY SURFACE AT THE RIGHT SIDE OF THE ACCESS GATE WITHIN TWO FEET OF THE EDGE OF THE ROADWAY. IN IRVINE, THE SWITCH SHALL BE ON THE LEFT SIDE IN ACCORDANCE WITH IRVINE'S UNIFORM SECURITY ORDINANCE.
- THE KEY SWITCH SHALL BE READILY VISIBLE AND UNOBSTRUCTED FROM THE FIRE LANE LEADING TO THE GATE.
- THE KEY SWITCH SHALL BE LABELED WITH A PERMANENT RED SIGN WITH NOT LESS THAN 1/2" CONTRASTING LETTERS READING "FIRE DEPT" OR WITH A "KNOX" DECAL.

STAKEHOLDERS
 BUILDING DEPARTMENT:
 PLANNING DEPARTMENT:
 PUBLIC WORKS DEPARTMENT:
 WATER DISTRICT:

APPLICABLE CODES

- 2022 CALIFORNIA FIRE CODE
- 2022 CALIFORNIA BUILDING CODE
- 2022 CALIFORNIA RESIDENTIAL CODE
- 2022 CALIFORNIA GREEN BUILDING STANDARDS CODE
- 2022 CALIFORNIA MECHANICAL CODE
- 2022 CALIFORNIA ELECTRICAL CODE
- 2022 CALIFORNIA PLUMBING CODE
- 2022 CALIFORNIA BUILDING ENERGY EFFICIENCY STANDARDS
- APPLICABLE NFPA STANDARDS
- LOCALLY ADOPTED ORDINANCES CITY: RANCH PLAN FIRE PROTECTION PROGRAM (RPFPF)
- CONDITIONS OF APPROVAL CITY: COUNTY OF ORANGE
- OCFA GUIDELINES

DEFERRED SUBMITTALS

THIS PROJECT HAS BEEN PERMITTED WITHOUT REVIEW AND/OR APPROVAL OF THE FOLLOWING DEFERRED SUBMITTALS. PLANS APPROVED BY OCFA SHALL BE OBTAINED FOR EACH DEFERRED ITEM LISTED BELOW PRIOR TO COMMENCING ANY WORK WITHIN THE SCOPE OF SUCH DEFERRAL. DEFERRALS MUST BE REVIEWED AND ACCEPTED BY THE ARCHITECT OR ENGINEER OF RECORD PRIOR TO SUBMITTING FOR REVIEW WITH OCFA. PORTIONS OF THE PROJECT THAT ARE DEFERRED SHALL BE SUBJECT TO THE CODES, STANDARDS, AND OTHER APPLICABLE REQUIREMENTS IN FORCE ON THE DATE THAT THE DEFERRED PLAN IS SUBMITTED TO OCFA.

- ARCHITECTURAL PLAN
- HIGH PILED COMBUSTIBLE STORAGE
- CHEMICAL USE AND/OR STORAGE
- FUEL TANK (FOR GENERATOR, IF OVER 60 GALLONS)
- BATTERY/ENERGY STORAGE SYSTEM
- UNDERGROUND SYSTEM SERVING SPRINKLERS, STANDPIPES, AND/OR PRIVATE HYDRANTS
- SPRINKLER SYSTEM
- STANDPIPE SYSTEM
- FIRE PUMP
- HOOD AND DUCT EXTINGUISHING SYSTEM
- ALARM SYSTEM

PREREQUISITE PLANS

- PLANNING APPLICATION SR: 546029 (VTTM 19305) - PR110
- METHANE MITIGATION SR:
- FUEL MODIFICATION PLAN SR: CONCEPTUAL FUEL MOD FOR PA3.4 UNDER SR542340
 FIRE PROTECTION PLAN UNDER SR544562

REVISION

- ORIGINAL PLAN SR:
 COPY OF ORIGINAL APPROVED PLAN REQUIRED TO BE SUBMITTED WITH ALL REVISED PLANS.

REVISION SCOPE OF WORK

PROJECT DIRECTORY

ARCHITECT/ENGINEER
 BUSINESS NAME: ADAMS STREETER
 CONTACT NAME: NICK STREETER
 ADDRESS: 16755 VON KARMAN, STE. 150
 CITY: IRVINE STATE: CA ZIP: 92606
 PHONE: 949.474.2330
 EMAIL: NSTREETER@ADAMS-STREETER.COM

PROPERTY OWNER/HOA
 BUSINESS NAME: LENNAR HOMES
 CONTACT NAME:
 ADDRESS: 5000 FIVEPOINT, 3RD FLOOR
 CITY: IRVINE STATE: CA ZIP: 92618
 PHONE: 949.349.8000
 EMAIL: DEREK.KEGLEY@LENNAR.COM

TENANT
 BUSINESS NAME:
 CONTACT NAME:
 ADDRESS:
 CITY: STATE: ZIP:
 PHONE:
 EMAIL:

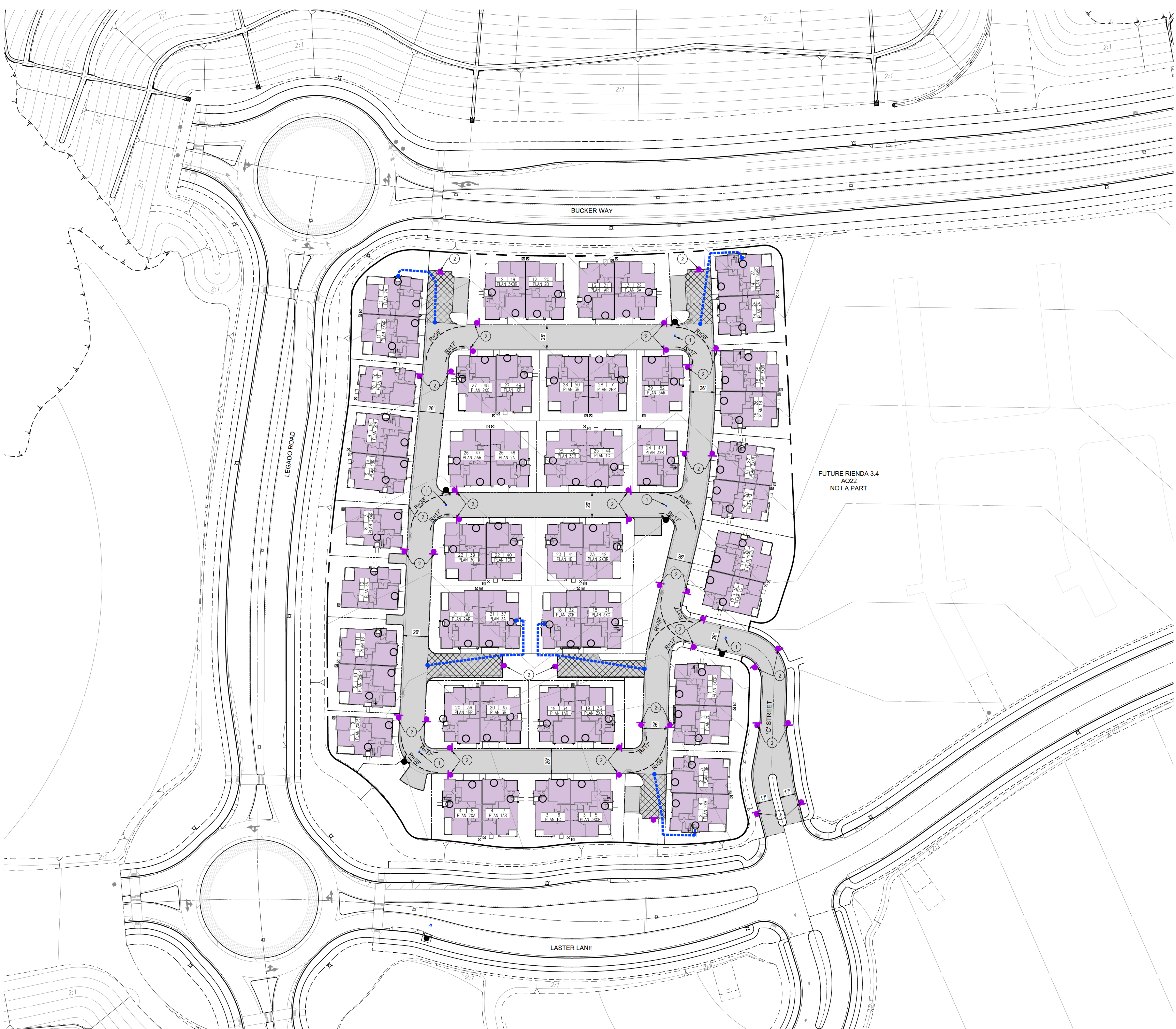
DESIGNED	DAVID OATIS	NO.	DATE
DRAWN	FFS	NO.	DATE
CHECKED	FFS	NO.	DATE
DATE	03/26/2024	NO.	DATE
SCALE		NO.	DATE
SPECIFIED ON SHEET		NO.	DATE

OCFA REVIEW AND INSPECTIONS (OCFA USE ONLY)	
NO OCFA REVIEW REQUIRED	<input type="checkbox"/>
PLAN REVIEW ONLY	<input type="checkbox"/>
PLAN REVIEW AND INSPECTION	<input type="checkbox"/>

PLANS PREPARED BY:

28505 AIRCROSS STREET
 RANCHO MISSION VIEJO, CA 92694
 (949) 240-5811

RIENDA AQ12
 AT RANCHO MISSION VIEJO PA 3.4
 ORANGE COUNTY FIRE AUTHORITY
 COMMUNITY RISK REDUCTION - PLANNING AND DEVELOPMENT SECTION



LEGEND

- EXISTING FIRE HYDRANT PER PREVIOUSLY APPROVED BACKBONE FIRE MASTER PLAN SR542339
- PROPOSED PUBLIC FIRE HYDRANT WITH BLUE REFLECTIVE FIRE HYDRANT MARKER. MARKER SHALL BE PLACED 6' FROM CENTERLINE OF STREET
- 4" MIN. UNIT ADDRESSING (SEE ARCHITECTURAL PLAN FOR FINAL DESIGN AND LOCATIONS)
- 300' HOSE PULL DISTANCE - FOR SINGLE FAMILY BUILDING TO THE FRONT DOOR
- INDICATES FIRE LANE-NO PARKING SIGN PER DETAILS HEREON ON AND THE RFFPP
- WAYFINDING ADDRESS LOCATIONS (FINAL LOCATIONS BY OTHERS)
- PROPOSED FIRE ACCESS ROAD WITH ALL WEATHER PAVED SURFACE DESIGNED, AT A MINIMUM, TO THE AASHTO H-20 STANDARD PER THE RFFPP
- EXISTING FIRE ACCESS ROAD
- NOT A PART OF FIRE ACCESS BUT DRIVE WILL BE CONSTRUCTED WITH ALL-WEATHER PAVED SURFACE DESIGNED, AT A MINIMUM, TO THE AASHTO H-20 STANDARD PER THE RFFPP
- INDICATES PROPOSED STRUCTURES MEETING THE 2022 CALIFORNIA RESIDENTIAL CODE SECTION R307
- INDICATES FIRE APPARATUS TURNING RADI: 20' WIDE PATH WITH 17' INSIDE AND 38' OUTSIDE

SYMBOL LEGEND

LOT #	UNIT #
PLAN TYPE	

CONSTRUCTION NOTES

- 1 INSTALL FIRE HYDRANT MARKER THAT SHALL BE PLACED 6' FROM CENTERLINE OF STREET.
- 2 INSTALL 'FIRE LANE-NO PARKING' SIGN PER DETAILS ON SHEET F-3.



RANCH FIRE PROTECTION PROGRAM ATTACHMENTS

Ranch Plan Fire Protection Program was approved by Orange County Fire Authority and Orange County Board of Supervisors dated: July 31, 2007 and Amendment No. 1, dated: March 25, 2013; Amendment No. 2, dated: August 14, 2014 and Amendment No. 3, dated: March 31, 2022.

Attachments used with this submittal:

- 3 JRed Curb
- 6 aStreet Widths
- 10Hydrant Distribution Table
- 11Fire Flow Requirement Table
- 12 aFire Hydrant Locations
- 12 bBlue Dot Hydrant Marker Location

BUILDING INFORMATION AND DATA

PLAN DESCRIPTION	STORIES	OCCUPANCY TYPE	CONSTRUCTION TYPE	AUTOMATIC FIRE SPRINKLERS	SQUARE FOOTAGE
BUILDING PLAN #1	1	R-3	V-B	NFPA 13D	1,271 SF
BUILDING PLAN #2	1	R-3	V-B	NFPA 13D	1,920 SF
BUILDING PLAN #3	2	R-3	V-B	NFPA 13D	1,689 SF
BUILDING PLAN #1 & 3	1	R-3	V-B	NFPA 13D	2,960 SF

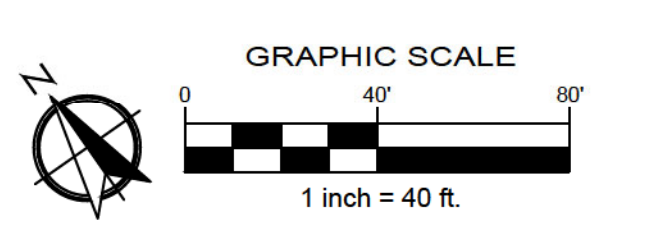
MIN. FIRE FLOW AND FIRE HYDRANT SPACING REQUIREMENTS

MINIMUM FIRE FLOW OF 1,000 GPM AT 20PSI FOR 1 HOUR REQUIRED PER THE LARGEST BUILDING OF APPROXIMATELY 2,960 SQ.FT. AND TYPE V-B CONSTRUCTION. A MINIMUM OF FIVE (5) FIRE HYDRANTS ARE REQUIRED SPACED NO MORE THAN 600 FEET FROM HYDRANT TO HYDRANT, NO MORE THAN 300 FEET FROM ANY BUILDING, AND NO MORE THAN 250 FEET FROM THE END OF A DEAD-END FIRE ACCESS ROAD.

FIRE FLOW TEST REQUIREMENT

NOTE: A FIRE FLOW MODELING CALCULATION AND FIRE FLOW TEST SHALL BE COMPLETED AND OBTAINED FROM THE SANTA MARGARITA WATER DISTRICT PRIOR TO LUMBER DROP INSPECTION. THE FIRE FLOW TEST SHALL INDICATE THE FLOW AT 20 PSI, AND SHALL BE PROVIDED TO OCFA PRIOR TO SCHEDULING THE LUMBER DROP INSPECTION.

NO.	DATE	REVISIONS
1		
2		
3		
4		



CIVIL ENGINEER
 ADAMS STREETER
 Civil Engineers
 16755 VON KARMAN, STE. 150
 IRVINE, CA 92666

ARCHITECTURE/PLANNING:
 ARCHITECTS - PLANNERS - DESIGNERS
 WHA
 680 NEWPORT CENTER DRIVE, SUITE 300
 NEWPORT BEACH, CA 92660

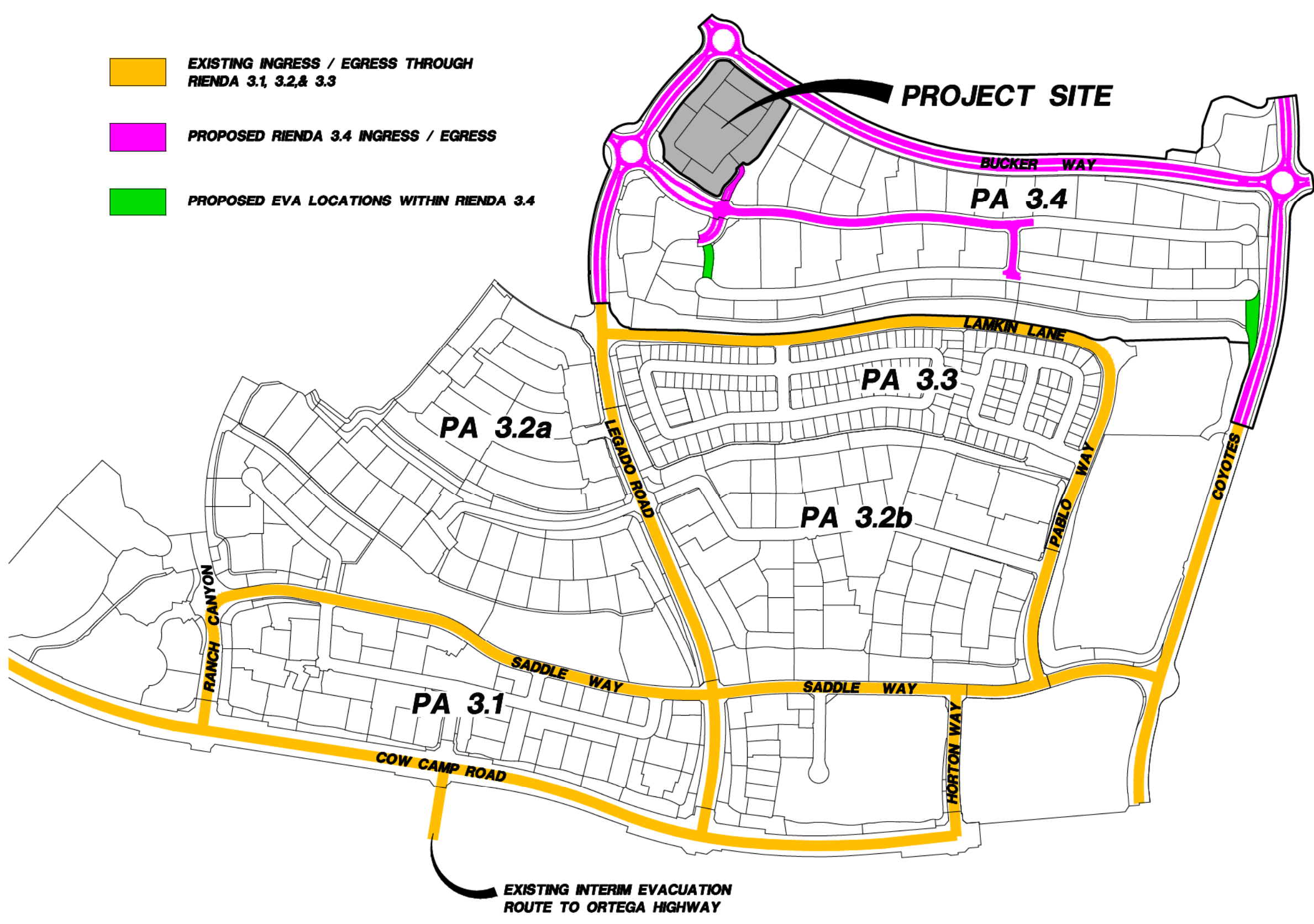
PREPARED BY:
 firesafe
 PLANNING, INC.
 28506 AIROSO STREET
 RANCHO MISSION VIEJO, CA 92684
 (949) 240-5811

PREPARED FOR:
 LENNAR
 5000 FIVEPOINT, 3RD FLOOR
 IRVINE, CA 92618
 (949) 349-8000

PREPARED FOR:
 RMV PA3
 DEVELOPMENT, LLC
 28811 ORTEGA HIGHWAY
 SAN JUAN CAPISTRANO, CA 92675
 (949) 240-3363

TITLE:	FIRE MASTER PLAN RANCHO MISSION VIEJO RIENDA PA 3.4 AQ12 VTTM 19305 OCFA SR 544563	DATE:	03/14/2024
	ORANGE COUNTY FIRE AUTHORITY	SHEET:	F-2
			2 OF 3

LOCATION MAP



FIRE FLOW REPORT

FIRE ACCESS ROADWAY CERTIFICATION LETTER

PARKING ENFORCEMENT LETTER



November 27, 2023
Subject: RMV - Rienda 3.4 AQ12 - Fire Access Roadway Certification
To Whom It May Concern:

This letter is provided to certify that the fire access roadways, including any underground vaults, culverts and other features beneath fire access roadways for the Rienda 3.4, AQ12, VTTM 19305 are designed to provide all-weather driving capabilities, at a minimum, to the American Association of State Highway and Transportation Officials H-20 standard. The Fire access roadways are also designed with a maximum grade of no greater than 10%.

Sincerely,
N. Streeter
Nicholas A. Streeter, PE, PLS
Senior Vice President
NStreeter@adams-streeter.com



16755 Von Karman Avenue, Suite 100, Irvine, CA 92606 | 949.474.2330 | adams-streeter.com

MARCH 14, 2024
PLANNING AND DEVELOPMENT SERVICES SECTION
ORANGE COUNTY FIRE AUTHORITY
1 FIRE AUTHORITY ROAD
IRVINE, CA 92602
RE: RIENDA PA3.4 AQ12 FIRE MASTER PLAN, VESTING TENTATIVE TRACT NO. 19305, RANCHO MISSION VIEJO, COUNTY OF ORANGE, CA. OCFA SERVICE REQUEST NUMBER 544563 PARKING ENFORCEMENT PLAN
THE FIRE LANE PARKING ENFORCEMENT PLAN FOR THE ABOVE REFERENCED PROJECT IS STATED AS FOLLOWS:
ALL FIRE LANES WITHIN PROJECT SHALL BE MAINTAINED AND IN NO EVENT SHALL PARKING BE PERMITTED ALONG ANY PORTION OF A STREET OR DRIVE THAT REQUIRED FIRE LANES OR ANY AREA DESIGNATED AS A FIRE LANE FOR TURN-AROUND OR DRIVE THROUGH PURPOSES.
PROJECT HOMEOWNER'S ASSOCIATION SHALL ADOPT REASONABLE RULES AND REGULATIONS REGARDING THE PARKING OF VEHICLES ALONG THE STREETS, ROADS AND OR DRIVES WITHIN THE PROJECT THAT ARE NOT IN CONFLICT WITH APPLICABLE LAW.
IN FURTHERANCE THEREOF, PROJECT HOMEOWNER'S ASSOCIATION, THROUGH ITS OFFICERS, COMMITTEES AND AGENTS WILL ESTABLISH THE "PARKING" AND "NO PARKING" AREAS WITHIN THE PROPERTY IN ACCORDANCE WITH SECTION 22658.2 OF THE CALIFORNIA VEHICLE CODE AND THE RANCHO FIRE PROTECTION PROGRAM. THE LAW SHALL BE ENFORCED THROUGH SUCH RULES AND REGULATIONS BY ALL LAWFUL MEANS, INCLUDING, WRITTEN WARNINGS, CITING, LEVYING FINES AND TOWING VEHICLES IN VIOLATION.
PROJECT HOMEOWNER'S ASSOCIATION WILL CONTRACT WITH A CERTIFIED PATROL AND TOWING COMPANY TO REMOVE VEHICLES THAT VIOLATE NO PARKING RESTRICTIONS. FIRST TIME VIOLATORS WILL RECEIVE A WRITTEN WARNING AND WITH SUBSEQUENT VIOLATIONS, THE VEHICLE SHALL BE SUBJECT TO TOWING. THE VEHICLE OWNER SHALL BE RESPONSIBLE FOR ALL COSTS INCURRED IN REMEDYING SUCH VIOLATION, INCLUDING WITHOUT LIMITATION TOWING COST, CITATIONS AND LEGAL FEES.

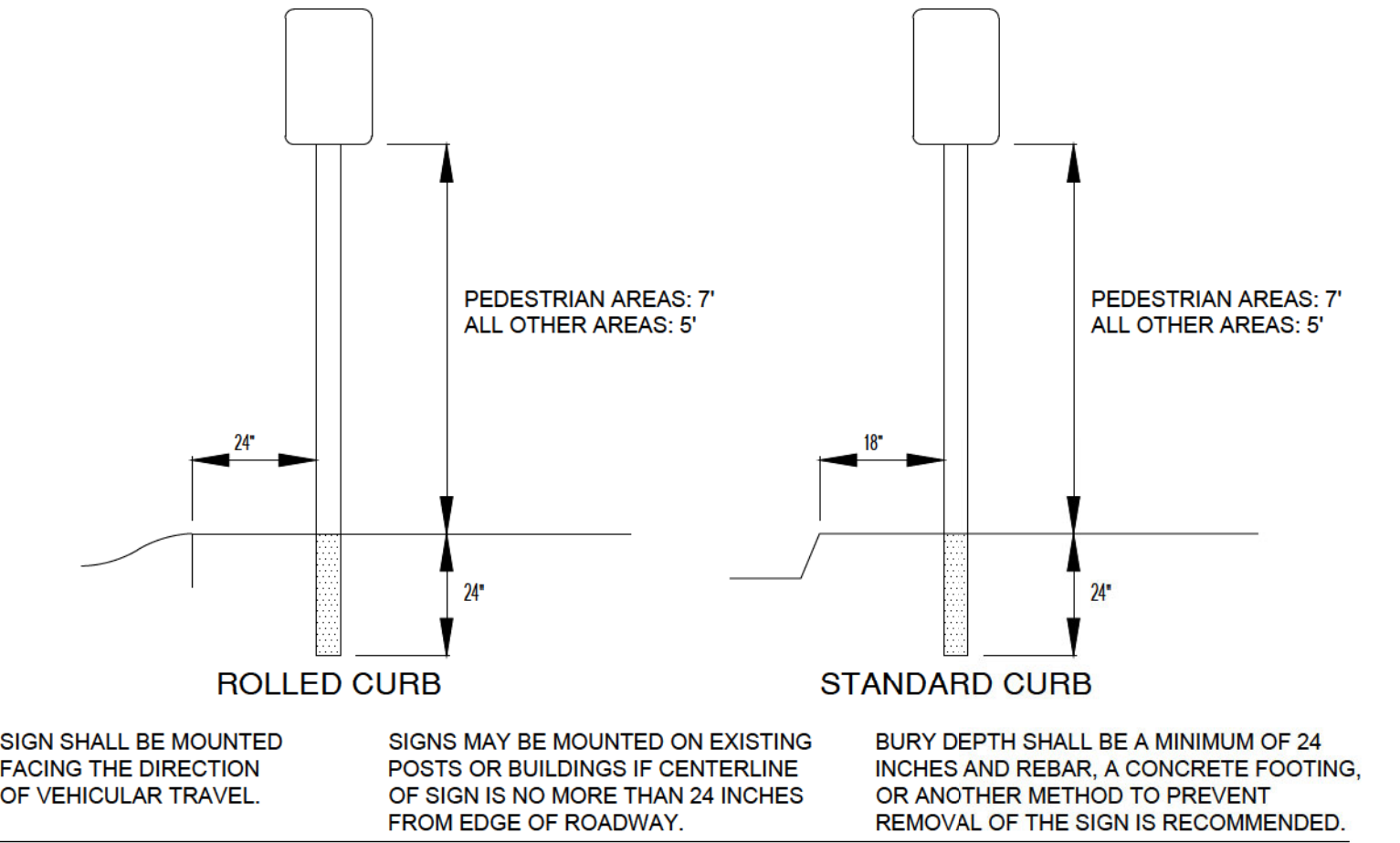
COMBUSTIBLE CONSTRUCTION LETTER

MARCH 14, 2024
ORANGE COUNTY FIRE AUTHORITY
1 FIRE AUTHORITY ROAD
IRVINE, CA 92602-0125
SUBJECT: COMBUSTIBLE CONSTRUCTION LETTER: RIENDA PA3.4 AQ12 FIRE MASTER PLAN - OCFA S.R. 544563 RANCHO MISSION VIEJO, COUNTY OF ORANGE
THE PURPOSE OF THIS LETTER IS TO NOTIFY YOU THAT THIS PROJECT SHALL INSTALL ALL REQUIRED PAVED FIRE ACCESS ROADS THAT MEET O.C.F.A. GUIDELINES PER THE APPROVED PLANS. ALL FIRE HYDRANTS AND WATER SUPPLY FOR FIRE FIGHTING PURPOSES SHALL BE INSTALLED PER THE APPROVED PLANS AND SHALL MEET ALL FIRE FLOWS REQUIREMENTS, PRIOR TO ANY COMBUSTIBLE CONSTRUCTION MATERIALS BEING DELIVERED FOR CONSTRUCTION.

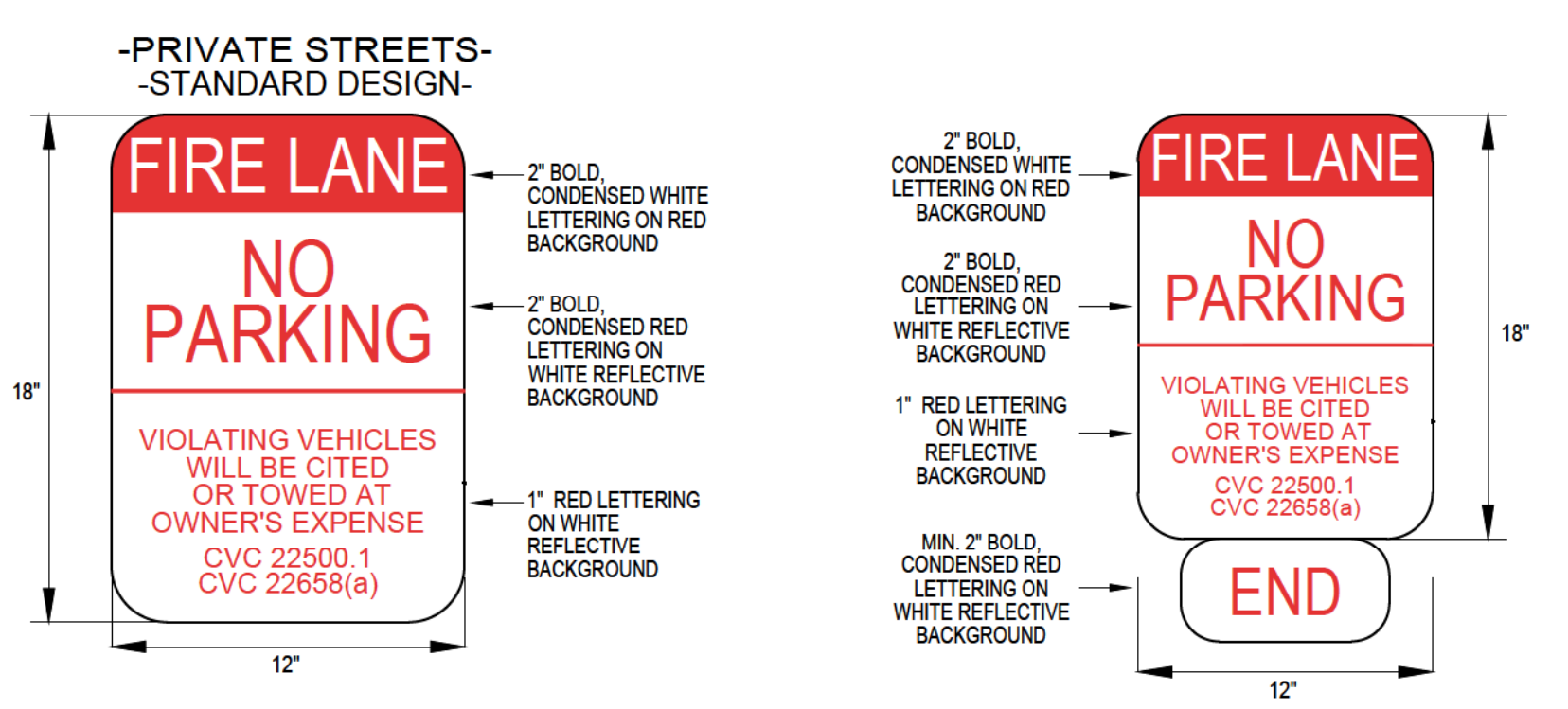
FIRE LANE PARKING SIGN DETAILS

ELEVATIONS

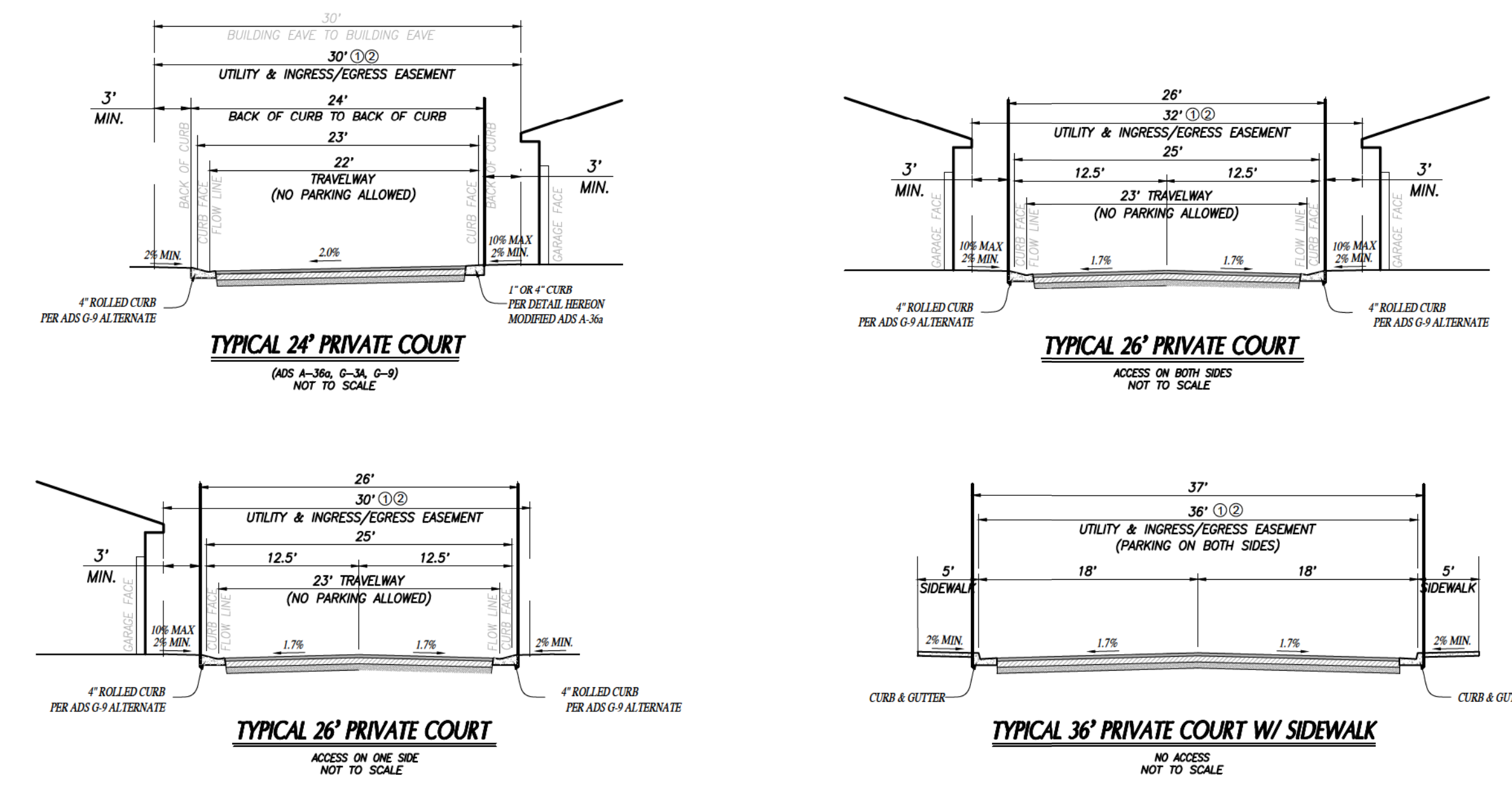
MOUNTING SPECIFICATIONS FOR FIRE LANE SIGNS AND NO PARKING SIGNS



FIRE LANE NO PARKING SIGN



STREET SECTIONS



CIVIL ENGINEER: AS ADAMS STREETER Civil Engineers 16755 VON KARMAN, STE. 150 IRVINE, CA 92606

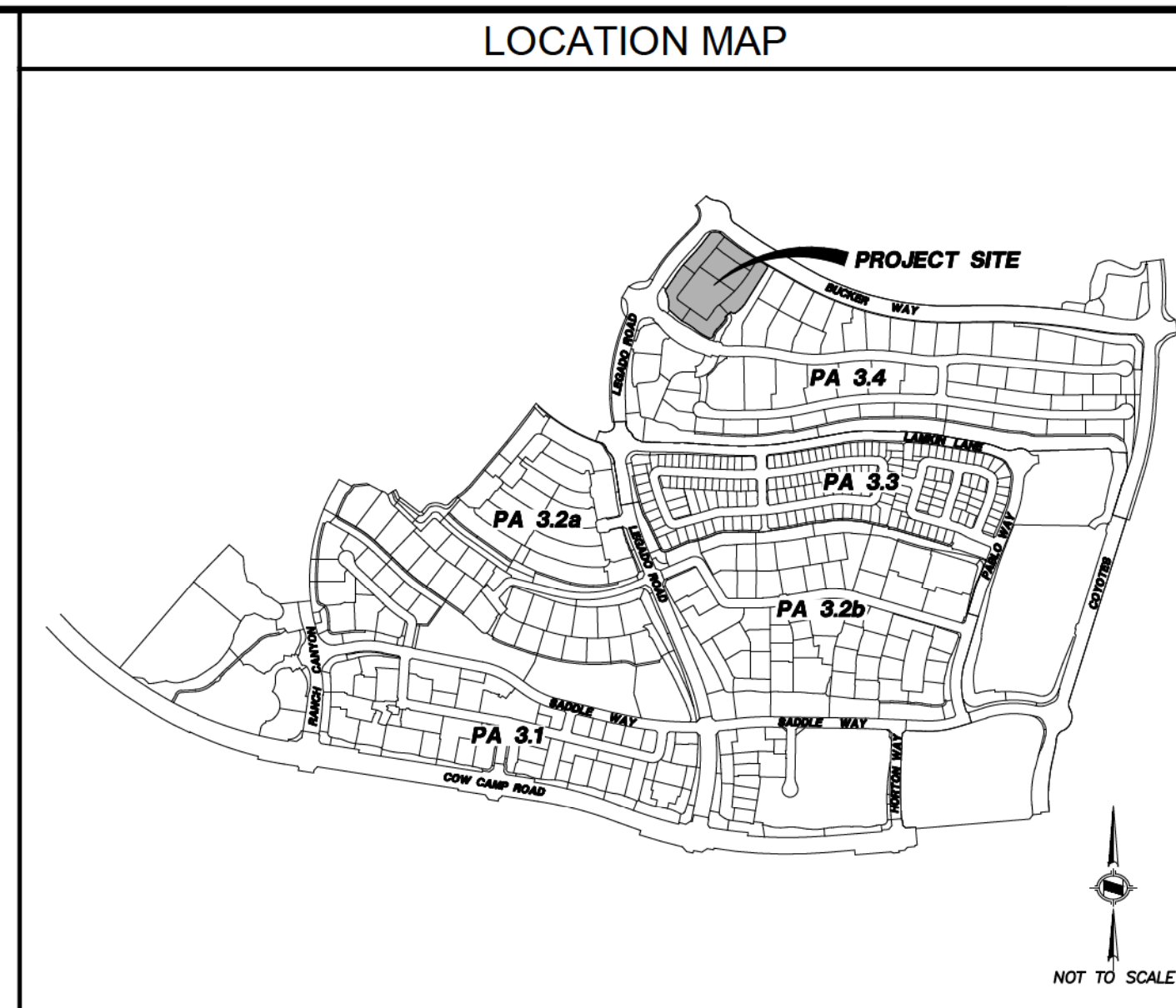
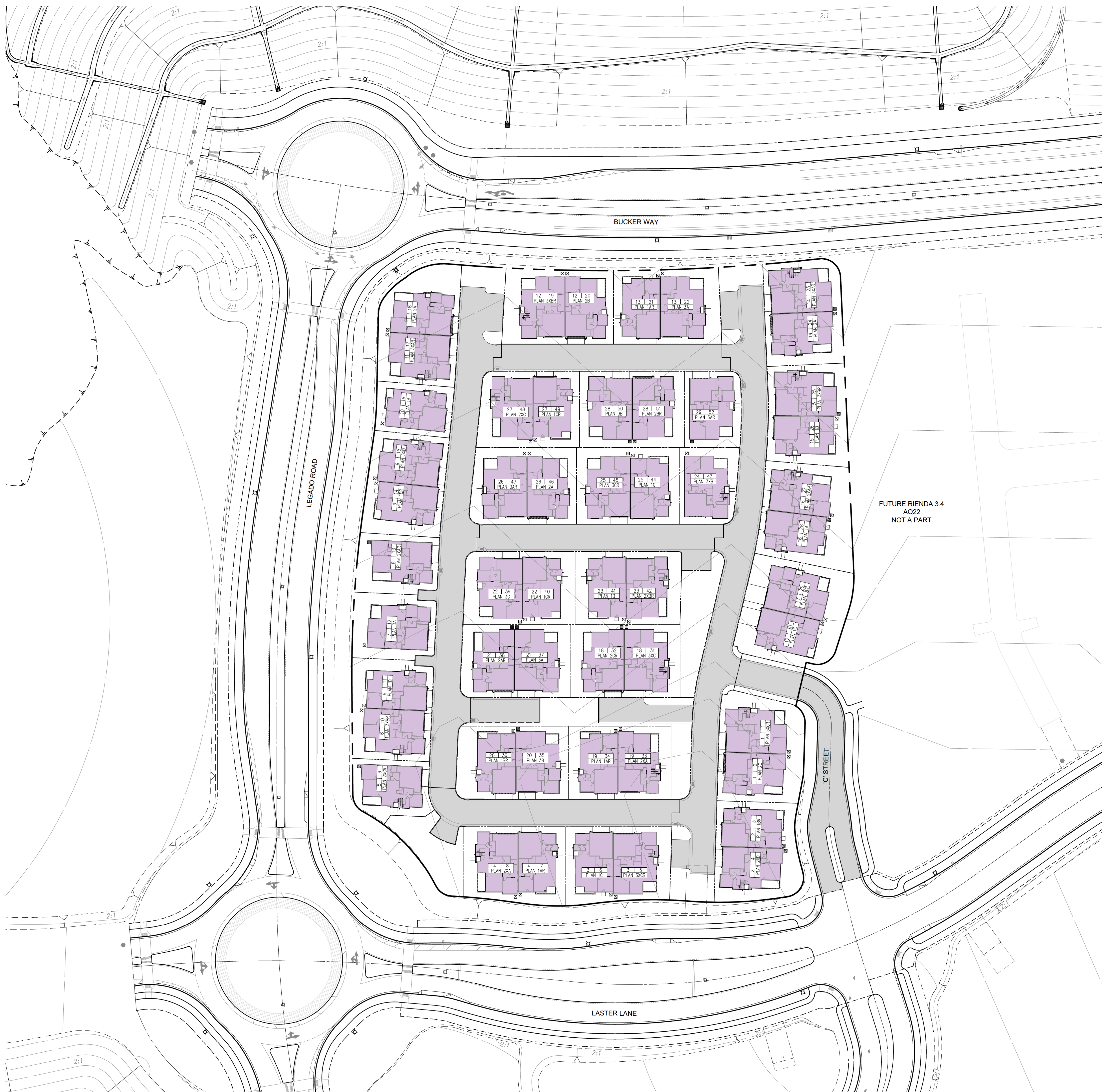
ARCHITECTURE/PLANNING: ARCHITECTS - PLANNERS - DESIGNERS WHA 680 NEWPORT CENTER DRIVE, SUITE 300 NEWPORT BEACH, CA 92660

PREPARED BY: firesafe PLANNING, INC. 28506 AIROSO STREET RANCHO MISSION VIEJO, CA 92684 (949) 240-5811

PREPARED FOR: LENNAR 5000 FIVEPOINT, 3RD FLOOR IRVINE, CA 92618 (949) 349-8000

PREPARED FOR: RMV PA3 DEVELOPMENT, LLC 28811 ORTEGA HIGHWAY SAN JUAN CAPISTRANO, CA 92675 (949) 240-3363

TITLE: FIRE MASTER PLAN RANCHO MISSION VIEJO RIENDA PA 3.4 AQ12 VTTM 19305 OCFA SR 544563 ORANGE COUNTY FIRE AUTHORITY DATE: 03/14/2024 SHEET: F-3 3 OF 3



CALIFORNIA RESIDENTIAL CODE SECTION R337 SCREENING FORM

Fire Protection Plan 2022 CBC Chapter 7A Screening Form

CBC Chapter 7A Code Section	Yes	No
703A.1 General	X	
703A.2 Qualifications by Testing	X	
703A.3 Approved Agency	X	
703A.4 Labeling	X	
703A.5, 703A.5.1 & 703A.5.2 Weathering and surface treatment protection	X	
703A.5.2.1 Fire-retardant treated wood	X	
703A.5.2.2 Fire-retardant treated wood shingles and shakes	X	
703A.5.3 Surface treatment protection	X	
703A.6 Alternate for materials, design, tests methods of construction	X	
703A.7 Standards of Quality	X	
704A & 704A.1 Ignition-Resistant Construction & General	X	
704A.2 Ignition-Resistant Material	X	
704A.3 Conditions of acceptance for ignition-resistant material	X	
704A.3.1 Fire Testing of wood structural panels	X	
704A.4 Alternate methods for determining ignition-resistant material	X	
705A & 705A.1 Flooding & Roofing General	X	
705A.2 Roof Coverings	X	
705A.3 Roof Valleys	X	
705A.4 Roof Gutters	X	
705A & 705A.1 Vents & Vents General	X	
705A.2 Vents Requirements	X	
705A.2.1 Off ridge and ridge vents	X	
707A, 707A.1 & 707A.2 Exterior Coverings, Scope & General	X	
707A.3 Exterior Wall Coverings	X	
707A.3.1 Extent of Exterior Wall Coverings	X	
707A.4, 707A.4.1 Exterior Wall Assemblies & Conditions of Acceptance	X	
707A.5 Open Roof Eaves	X	
707A.6 Unfinished Roof Eaves and Roof Eave Soffits	X	
707A.7 Exterior Porch Ceilings	X	
707A.8 Floor Projections	X	
707A.9 Underlath Protection	X	
707A.10 Underside of Appendages	X	
707A.11 Conditions of acceptance when tested in accordance with ASTM E2967	X	
708A & 708A.1 Exterior Windows, Skylights and Doors & Sereas	X	
708A.2 Exterior glazing	X	
708A.2.1 Exterior Windows, Skylights and exterior glazed door assembly requirements	X	
708A.2.2 Operable Skylights	X	
708A.2.3 Structural glass weneer	X	
708A.3 Exterior Doors	X	
708A.3.1 Exterior Door Glazing	X	
708A.4 Garage Door Penetrator Cap	X	
708A, 708A.1 & 708A.1.1 Locking, General & Flaming	X	
708A.2 Where required	X	
708A.3 Locking Surfaces	X	
708A.4 Requirements of type of ignition-resistant material in Section 709A.3, Item 1	X	
708A.4.1 Conditions of acceptance for ASTM E2932	X	
708A.4.2 Conditions of acceptance for ASTM E2728	X	
708A.5 Requirements for type of material in Section 709A.3, Item 7	X	
710A & 710A.1 Accessory Buildings and Miscellaneous Structures & General	X	
710A.2 Applicability	X	
710A.3 Where required	X	
710A.3.1 Structures and Accessory Buildings within 3 feet	X	
710A.3.2 Accessory buildings greater than 120 sq ft, located 3 feet or more but less than 50 feet	X	
710A.3.3 Accessory buildings 120 sq ft. or less, located 3 feet or more but less than 50 feet	X	
710A.3.4 Miscellaneous Structures located 3 feet or more but less than 50 feet	X	
710A.4 Roof Construction	X	

If separate buildings within the same Tract have different responses above, then you must submit additional Screening Forms for each portion of the development that has different designs.

Name of Community: RMV RIENDA - SUB AREA 3.4 - AQ12

List the final tract and lot numbers on the lines below that this form is associated to:
VTTM 19305 - LOTS 1 THROUGH 26 UNITS 1 - 52

David Otis as Agent of TRIPONTE: 949-240-5911, March 5, 2024

SYMBOL LEGEND

	LOT # UNIT #
	PLAN TYPE

OCFA APPROVAL

ORANGE COUNTY FIRE AUTHORITY
Reviewed by Planning & Development
Service Request Expires After 6 Months of Inactivity

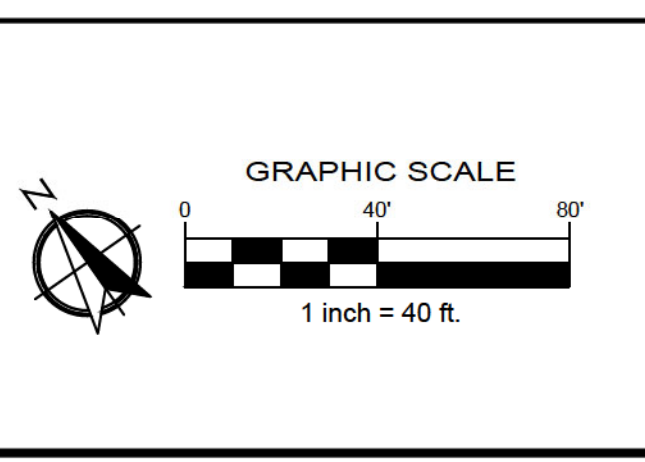
Approval subject to field inspection and required test, notations hereon, conditions in correspondence and conformance with applicable regulations. The stamping of these plans shall not be held to permit or approve the violation of any law.

OCFA SR #: 544562
Fee Codes: PR146
Plan Type: Fire Protection Plan
By: shawmfraley
Date: 03/26/2024

ONLY STAMPED SHEETS REVIEWED BY ORANGE COUNTY FIRE AUTHORITY.
Call at least 72 hours in advance to schedule inspections: (714) 573-6150

Notes:

NO.	DATE	REVISIONS
1		
2		
3		
4		



CIVIL ENGINEER: **AS** ADAMS STREETER Civil Engineers
16755 VON KARMAN, STE. 150 IRVINE, CA 92606

ARCHITECTURE/PLANNING: **WHA** ARCHITECTS - PLANNERS - DESIGNERS
680 NEWPORT CENTER DRIVE, SUITE 300 NEWPORT BEACH, CA 92660

PREPARED BY: **firesafe** PLANNING, INC.
28506 AIROSO STREET RANCHO MISSION VIEJO, CA 92684 (949) 240-5911

PREPARED FOR: **LENNAR**
5000 FIVEPOINT, 3RD FLOOR IRVINE, CA 92618 (949) 349-8000

PREPARED FOR: **RMV PA3 DEVELOPMENT, LLC**
28811 ORTEGA HIGHWAY SAN JUAN CAPISTRANO, CA 92675 (949) 240-3363

TITLE: **FIRE PROTECTION PLAN RANCHO MISSION VIEJO RIENDA PA 3.4 AQ12 VTTM 19305 OCFA SR 544562**

DATE: **03/05/2024**

SHEET: **F-1**

ORANGE COUNTY FIRE AUTHORITY

The use of these plans and specifications shall be restricted to the original site for which they were prepared and publication thereof is expressly limited to such use. Reproduction, publication, or re-use by any method, in whole or in part without the express consent of FIRESAFE PLANNING SOLUTIONS is prohibited.